

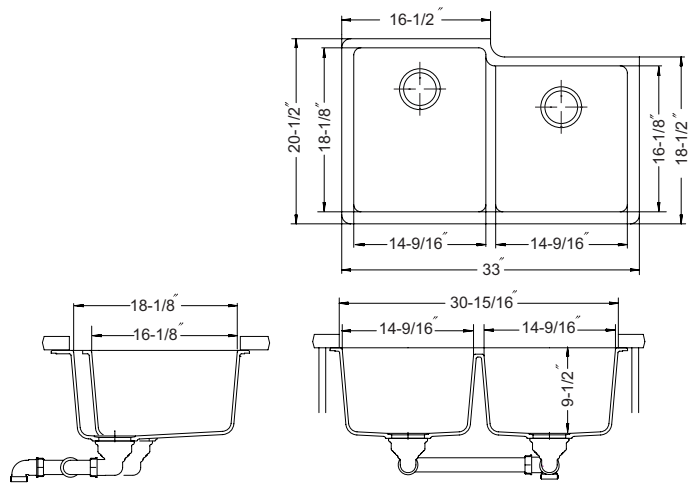
**Quartztone®**  
**Undermount 60/40 Double Bowl**  
**Model M-175U**



M-175U

**FEATURES**

- 80% quartz
- 9-1/2" depth
- Intrinsically hygienic Non-porous surface
- Natural, antibacterial hygiene protection system
- Silky to the touch, 3 times harder than natural granite
- Food-safe, UV-stable-will not fade
- Heat resistance to +500°F
- Highest resistance to thermal shock, scratches and chips
- Color-fast throughout
- Fits 36" sink base • cUPC listed
- Supplied with cutout template, fasteners and instructions
- Lifetime Limited Warranty



**OPTIONAL COLORS**



**Midnite** Metallic    **Mocha** Solid    **Earth** Structured    **Sand** Solid    **Cloud** Solid

OVERALL DIMENSIONS	EACH BOWL	CUTOUT SIZE	PACKAGING*	WEIGHT*
33" x 20-1/2"	14-9/16" x 18-1/8" 14-9/16" x 16-1/8"	See Template	1/10 pcs.	54/580lbs.

\*Standard packaging: Single boxed /Pallet of single boxed.  
All dimensions are in inches. Specifications subject to change without notice.

**OPTIONAL ACCESSORIES**

Bottom Grid: 629702 (large bowl),  
629703 (small bowl)

Cutting Board : CB-4100

Wire Tray: WT-3500

Strainer Options: Stainless steel strainers,  
Color strainers, Color Disposal flanges

Project/Job name \_\_\_\_\_

Architect/Engineer \_\_\_\_\_

Contractor \_\_\_\_\_

Model \_\_\_\_\_ Q'ty \_\_\_\_\_

Notes \_\_\_\_\_