

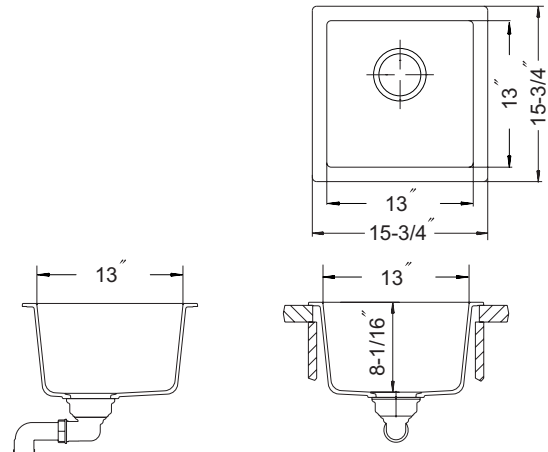
**Quartztone®**  
**Square Bar/Prep Sinks**  
**Model E-100**



E-100

**FEATURES**

- 80% quartz
- 8-1/16" depth • Dual mount (Topmount or Undermount )
- Intrinsicly hygienic Non-porous surface
- Natural, antibacterial hygiene protection system
- Silky to the touch, 3 times harder than natural granite
- Food-safe, UV-stable-will not fade
- Heat resistance to +500°F
- Highest resistance to thermal shock, scratches and chips
- Color-fast throughout
- Fits 24" sink base • cUPC listed
- Supplied with cutout template, fasteners and instructions
- Lifetime Limited Warranty



**OPTIONAL COLORS**



**Midnite** Metallic    **Mocha** Solid    **Earth** Structured    **Sand** Solid    **Cloud** Solid

OVERALL DIMENSIONS	EACH BOWL	CUTOUT SIZE	PACKAGING*	WEIGHT*
15-3/4" x 15-3/4"	13" x 13"	See Template	1/20 pcs.	20/440lbs.

\*Standard packaging: Single boxed /Pallet of single boxed.  
All dimensions are in inches. Specifications subject to change without notice.

**OPTIONAL ACCESSORIES**

Bottom Grid: 629717  
Strainer Options: Stainless steel strainers,  
Color strainers, Color Disposal flanges

Project/Job name \_\_\_\_\_

Architect/Engineer \_\_\_\_\_

Contractor \_\_\_\_\_

Model \_\_\_\_\_ Q'ty \_\_\_\_\_

Notes \_\_\_\_\_