
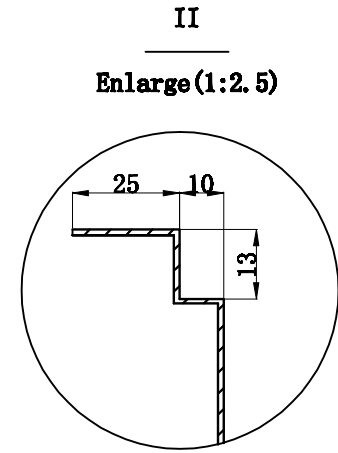
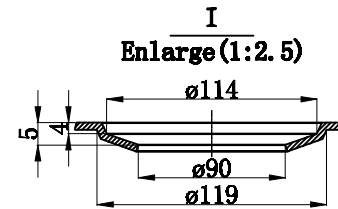
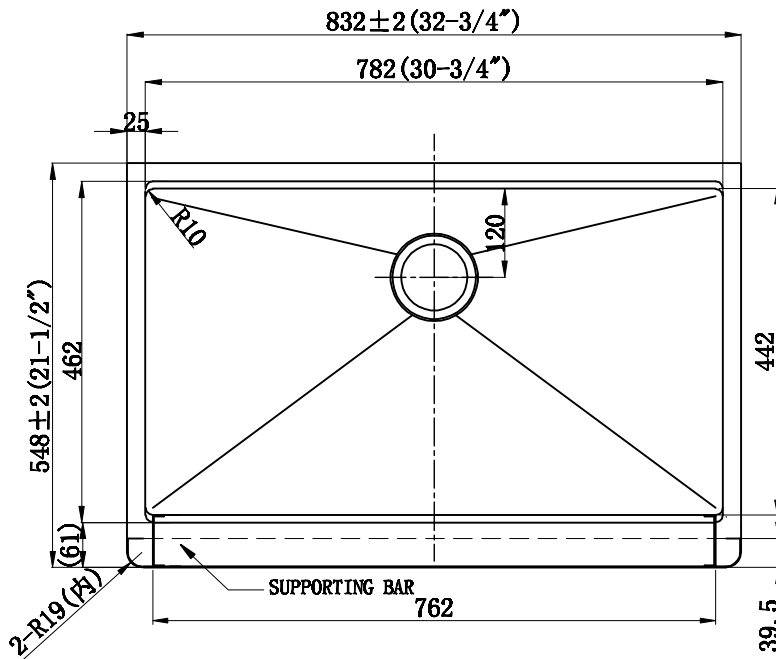
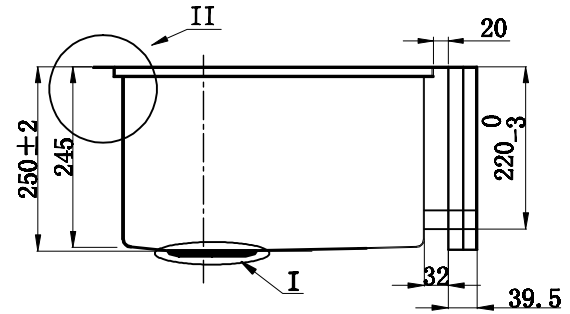
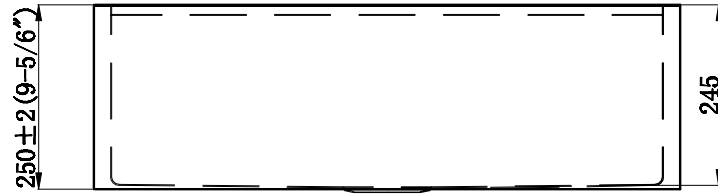


satin finish




A33S
material&thickness SUS304 16GA
EMPIRE INDUSTRIES INC.