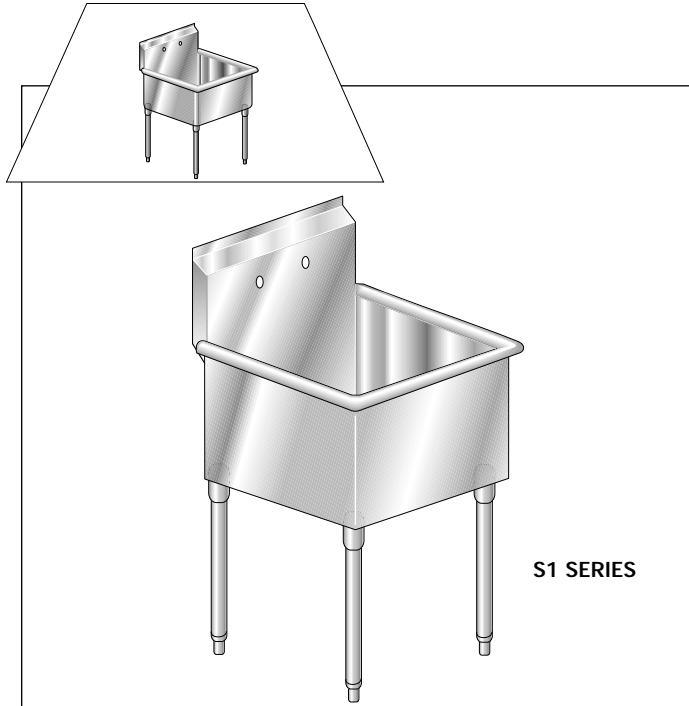




NON-NSF SINKS

S1 SERIES, One Compartment



Item# _____ Project _____

Quantity	ECONOMY 4S1 Model #	DELUX 3S1 Model #	PREMIUM 2S1 Model #
----------	---------------------------	-------------------------	---------------------------

18" WIDE

_____	4S1-1818	3S1-1818	2S1-1818
_____	4S1-1824	3S1-1824	2S1-1824
_____	4S1-1830	3S1-1830	2S1-1830
_____	4S1-1836	3S1-1836	2S1-1836
_____	4S1-1842	3S1-1842	2S1-1842
_____	4S1-1848	3S1-1848	2S1-1848

21" WIDE

_____	4S1-2118	3S1-2118	2S1-2118
_____	4S1-2124	3S1-2124	2S1-2124
_____	4S1-2130	3S1-2130	2S1-2130
_____	4S1-2136	3S1-2136	2S1-2136
_____	4S1-2142	3S1-2142	2S1-2142
_____	4S1-2148	3S1-2148	2S1-2148

24" WIDE

_____	4S1-2418	3S1-2418	2S1-2418
_____	4S1-2424	3S1-2424	2S1-2424
_____	4S1-2430	3S1-2430	2S1-2430
_____	4S1-2436	3S1-2436	2S1-2436
_____	4S1-2442	3S1-2442	2S1-2442
_____	4S1-2448	3S1-2448	2S1-2448

30" WIDE

_____	4S1-3018	3S1-3018	2S1-3018
_____	4S1-3024	3S1-3024	2S1-3024
_____	4S1-3030	3S1-3030	2S1-3030
_____	4S1-3036	3S1-3036	2S1-3036
_____	4S1-3042	3S1-3042	2S1-3042
_____	4S1-3048	3S1-3048	2S1-3048

MATERIAL

BODY

- 4S-16 gauge 430 stainless steel.
- 3S-16 gauge 304 stainless steel.
- 2S-14 gauge 304 stainless steel.

LEGS

- 1 3/4" O.D. 16 gauge 304 series stainless steel tubing, complete with 1" adjustable impact resistant white metal feet.

DESIGN FEATURES

- All sinks are fully cartoned.
- Easily assembled.

EXCLUSIVE AERO SAFETY EDGE

- Sink hemmed on the roll and backsplash to eliminate cuts from rough edges.

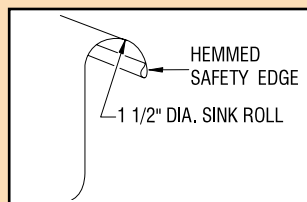
CONSTRUCTION

- Stainless steel gusset is machine welded 360 deg. to a stainless steel triangular plate.
- Gusset plate is fully welded directly underneath the sink.
- Polished to a #4 blended finish.

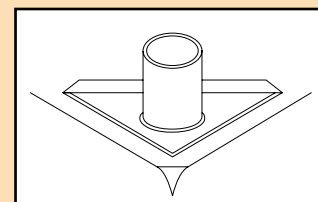
PLUMBING

- Water supply is 1/2" hot and cold.
- Faucet holes are 8" o.c. (Faucets not included. See accessories).

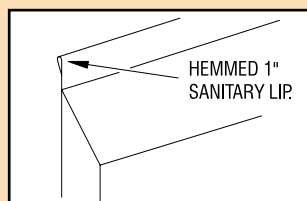
CUSTOM SIZES AVAILABLE



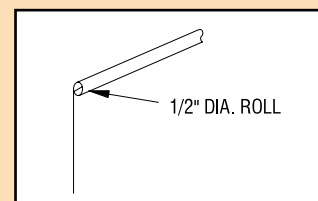
Exclusive Aero Safety Edge



Fully Welded Gusset Assembly



1" Sanitary Lip

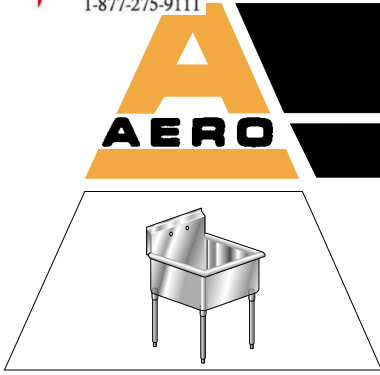


1/2" Roll for Extra Rigidity

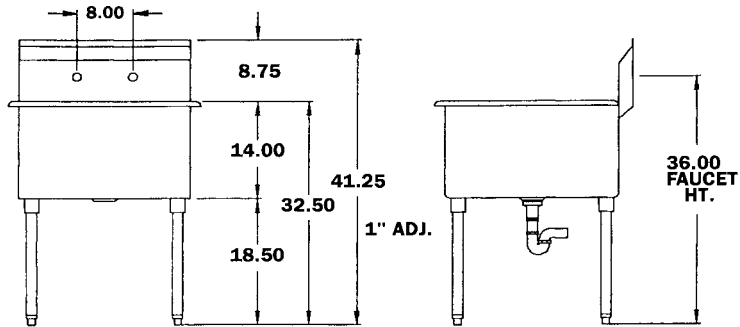
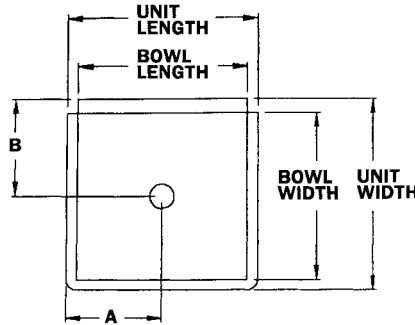
**FABRICATED QUALITY
AT AN ECONOMY PRICE**

DIMENSIONAL SPECIFICATIONS

S1 SERIES, One Compartment, NON-NSF Sinks



■ Supplied with stainless steel drain basket and strainer.



BOWL Width	BOWL Length	UNIT Width	UNIT Length	A Drain	B Drain	ECONOMY 4S1 Model #	DELUX 3S1 Model #	PREMIUM 2S1 Model #	Ship Weight	Cubic Feet
------------	-------------	------------	-------------	---------	---------	---------------------	-------------------	---------------------	-------------	------------

18" WIDE

18	18	21.5	21	10.5	11	4S1-1818	3S1-1818	2S1-1818	28	5
18	24	21.5	27	13.5	11	4S1-1824	3S1-1824	2S1-1824	34	7
18	30	21.5	33	16.5	11	4S1-1830	3S1-1830	2S1-1830	40	9
18	36	21.5	39	19.5	11	4S1-1836	3S1-1836	2S1-1836	46	10
18	42	21.5	45	22.5	11	4S1-1842	3S1-1842	2S1-1842	52	12
18	48	21.5	51	25.5	11	4S1-1848	3S1-1848	2S1-1848	58	13

21" WIDE

21	18	24.5	21	10.5	12.5	4S1-2118	3S1-2118	2S1-2118	30	6
21	24	24.5	27	13.5	12.5	4S1-2124	3S1-2124	2S1-2124	36	8
21	30	24.5	33	16.5	12.5	4S1-2130	3S1-2130	2S1-2130	42	10
21	36	24.5	39	19.5	12.5	4S1-2136	3S1-2136	2S1-2136	48	12
21	42	24.5	45	22.5	12.5	4S1-2142	3S1-2142	2S1-2142	55	13
21	48	24.5	51	25.5	12.5	4S1-2148	3S1-2148	2S1-2148	61	15

24" WIDE

24	18	27.5	21	10.5	14	4S1-2418	3S1-2418	2S1-2418	31	7
24	24	27.5	27	13.5	14	4S1-2424	3S1-2424	2S1-2424	37	9
24	30	27.5	33	16.5	14	4S1-2430	3S1-2430	2S1-2430	44	11
24	36	27.5	39	19.5	14	4S1-2436	3S1-2436	2S1-2436	50	13
24	42	27.5	45	22.5	14	4S1-2442	3S1-2442	2S1-2442	57	15
24	48	27.5	51	25.5	14	4S1-2448	3S1-2448	2S1-2448	63	17

30" WIDE

30	18	33.5	21	10.5	17	4S1-3018	3S1-3018	2S1-3018	35	9
30	24	33.5	27	13.5	17	4S1-3024	3S1-3024	2S1-3024	41	11
30	30	33.5	33	16.5	17	4S1-3030	3S1-3030	2S1-3030	48	13
30	36	33.5	39	19.5	17	4S1-3036	3S1-3036	2S1-3036	55	16
30	42	33.5	45	22.5	17	4S1-3042	3S1-3042	2S1-3042	62	18
30	48	33.5	51	25.5	17	4S1-3048	3S1-3048	2S1-3048	67	21