

## SINK SPECIFICATIONS

### DOUBLE BOWL Farmhouse

#### Model VGRA3618BLSL

#### FEATURED MODEL VGRA3618BLSL

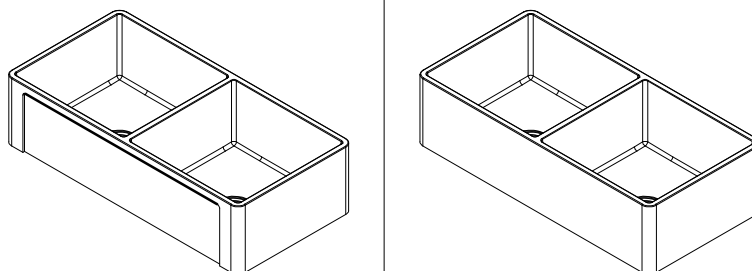
#### 9 5/8" BOWL DEPTH

#### FEATURES

- Solid surface, matte stone
- 10mm radius corners
- Reversible for flat apron front or casement front
- Long-lasting, easy-to-clean, glossy interior and matte exterior finish
- Center drain placement

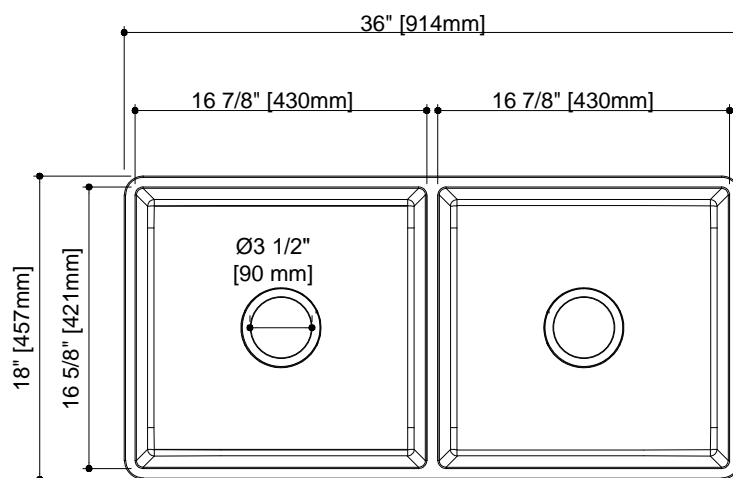
#### PACKING LIST

- Sink
- Strainers

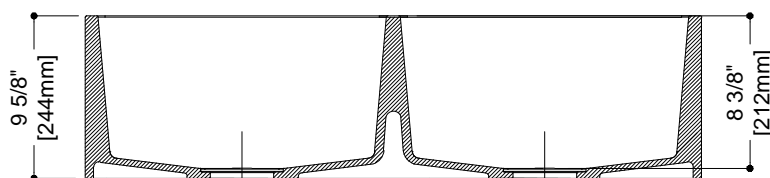


#### NOMINAL DIMENSIONS

MODEL #	BOWL SIZE	SINK DEPTH	EXTERIOR
VGRA3618BLSL	16 7/8" x 16 5/8"	9 5/8"	36" x 18"
	16 7/8" x 16 5/8"		



TOP VIEW



FRONT VIEW

NOTE: DIMENSIONS MAY VARY UP TO 5mm

NOTE: Due to the nature of the material, models can differ up to 5 mm from the listed dimensions. We advise that you do not cut your countertop based off of the dimensions in the specifications area of the website, but instead wait until your sink arrives to measure and cut the countertop to ensure a perfect fit.

This Sink comes with Sink VGRA3618BLSL and two Strainers VGSTRAINERFH.

NOTE: Customer needs to select the flat or casement front and proceed accordingly.

## **Installation instructions Farmhouse Sinks**

### **General Recommendations:**

Read installation and maintenance instructions thoroughly before installation. Inspect your sink for any noticeable damage before installation. Check all local applicable plumbing and building codes.

These instructions are based on application to composite material or solid surface countertop installation only; countertop application to stone, marble, granite or butcher-block should be referred to experienced countertop fabricator for custom installation.

Vigo Farmhouse series sinks are individually hand-crafted and Vigo suggests using experienced and professional installers only. For custom cutting of countertop and installation of the actual sink, on-site installation is also recommended. Acceptable variances are approximately 1/2 of an inch. Alignment to cut-out and precise application and trimming of any adhesive sealant are critical to a superior fit and finished look. Please take extra care in this regard.

Vigo Farmhouse series sinks require custom order cabinets. Consult your cabinet dealer.

Vigo does not accept any liability for damage to countertop, sink fixture, faucets or personal injury during installation. Warranty is void if installation instructions are not followed.

### **Tools and Materials needed:**

Tape Measure	Denatured Alcohol	Wood Braces
Pencil (NOT ink)	Ear Protection	Framing Square
Silicone Adhesive Sealant	Eye Protection	Shims
Rags	Hacksaw/ Jigsaw	

Be sure to use proper tools and always wear personal safety accessories for your protection.

## Installation Options:

Vigo Farmhouse series sinks offer installation options depending on your design.

### Undermount Installation (Recommended)

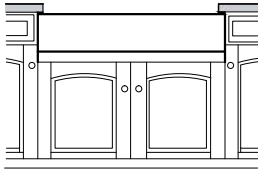


Figure 1

### Flush mount Installation

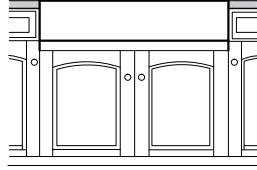


Figure 2

### Above counter Installation

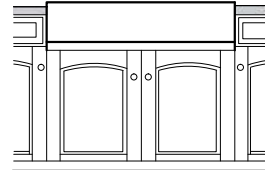


Figure 3

Caution: All installation types need to allow room for faucet installation. Ensure adequate clearance behind the sink for any faucet and backsplash, as well as full range of motion for faucet spouts and handles.

Typical undermount installation with 1/4" reveal recommended.

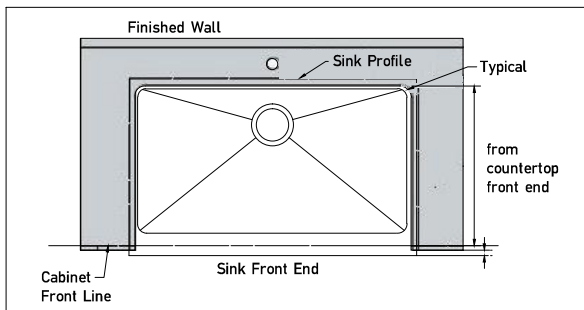


Figure 4

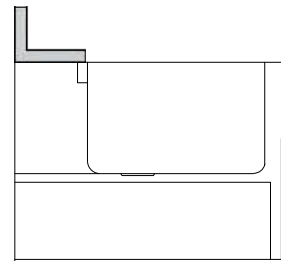


Figure 5

Typical flush mount and above counter installation

Above counter installation may expose sink sides to be raised above the countertop.

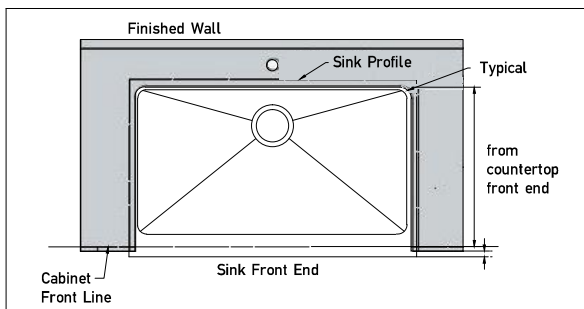


Figure 6

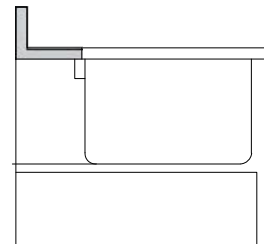


Figure 7

Contact your retailer if any product is damaged or missing prior to installation. Never install a damaged sink as it can void your warranty.