

STAINLESS STEEL

FLAT TOP with BULL NOSE EDGE CHEF TABLES

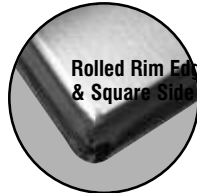


Model Above Shown with Under Shelf

Item #: _____ **Qty #:** _____

Model #: _____

Project #: _____



Rolled Rim Edge on Front & Square Side Edges

Rolled Rim Edges on All Four Sides



Rear Bar Model Shown

FEATURES:

Top is furnished with 1-5/8" sanitary rolled rim edges on four sides. To reinforce and maintain a level working surface, 24" wide tables are supplied with TWO hat channels and 30" wide tables are supplied with THREE hat channels.

Rear Bar Models have front to back leg braces bolted to legs and requires assembly. Rear bar is welded to legs.

Center Bar Models have front to back Leg braces welded to legs. Center bar bolts to legs and requires assembly.

Under Shelf Models have aluminum die cast "leg-to-shelf" clamp to secure shelf to leg eliminating unsightly nuts & bolts.

Shelf can be adjusted to desired height.

Under shelf is adjustable.

CONSTRUCTION:

All TIG welded. Exposed weld areas polished to match adjacent surfaces.

Entire top mechanically polished to a satin finish.

Top is sound deadened.

Roll formed embossed galvanized hat channels are secured to top by means of structural adhesive and weld studs.

Gussets welded to support hat sections.

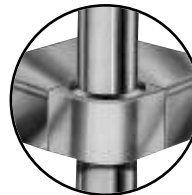
MATERIAL:

TOP: 16 gauge stainless steel type "304" series.

MODELS WITH REAR OR CENTER CROSS BARS: 1 5/8" dia. tubular stainless steel bars.

MODELS WITH UNDER SHELF: 18 gauge stainless steel under shelf.

LEGS: 1 5/8" diameter tubular stainless steel.
1" adjustable **stainless steel** bullet feet.
Stainless steel gussets.



Under Shelf Models Feature "THE PROVEN" ORIGINAL ADVANCE TABCO Adjustable Underself with Die Cast Leg Clamp



Cross & Rear Bar Models Feature 1-5/8" Leg Brace to Ensure Stability

Under Shelf Models

L	24" Wide	30" Wide
48"	SN-ISW1913	SN-ISW1916
60"	SN-ISW1914	SN-ISW1917
72"	SN-ISW1915	SN-ISW1918

Rear Bar Models

L	24" Wide	30" Wide
48"	SN-ISW1919RB	SN-ISW1922RB
60"	SN-ISW1920RB	SN-ISW1923RB
72"	SN-ISW1921RB	SN-ISW1924RB

CENTER BAR MODELS AVAILABLE!



SN-ISW1961
Stainless Steel Casters

Accessories

Model	Description
SN-ISW1961	Set of Four - 5" Stainless Steel Commercial Casters (2 with Brakes)
SN-ISW1962	20" x 20" x 5" Stainless Steel Drawer (Table will Include Factory Installed Brackets. Drawer Installation Required)



SN-ISW1962
Stainless Steel Drawer

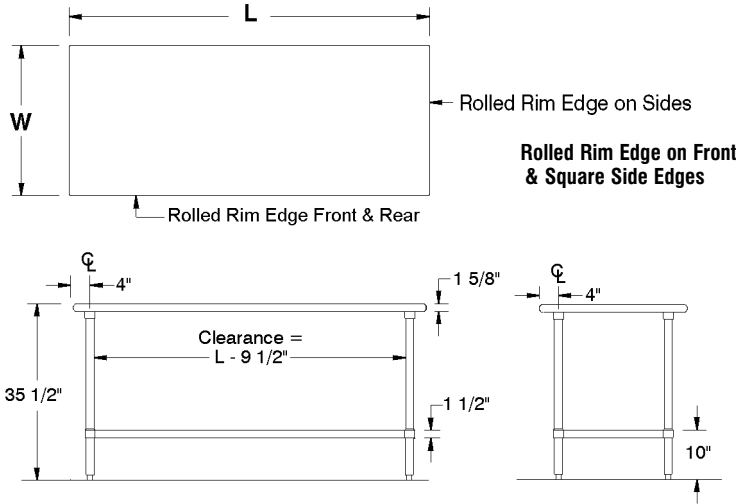
Stainless Craft at

DIMENSIONS and SPECIFICATIONS

ALL DIMENSIONS ARE TYPICAL TOL ± .500"

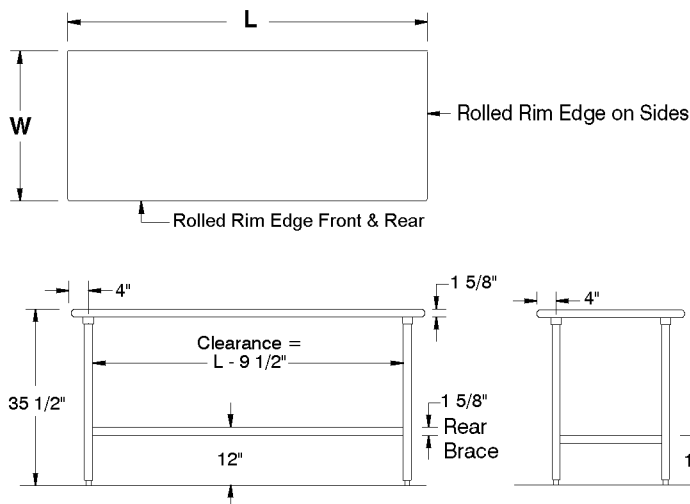
All Units Shipped Unassembled (KD) for Reduced Shipping Costs.

UNDER SHELF MODELS



L	24" Wide	Wt.	30" Wide	Wt.
48"	SN-ISW1913	79 lbs.	SN-ISW1916	89 lbs.
60"	SN-ISW1914	92 lbs.	SN-ISW1917	107 lbs.
72"	SN-ISW1915	109 lbs.	SN-ISW1918	125 lbs.

REAR BAR MODELS



L	24" Wide	Wt.	30" Wide	Wt.
48"	SN-ISW1919RB	64 lbs.	SN-ISW1922RB	72 lbs.
60"	SN-ISW1920RB	74 lbs.	SN-ISW1923RB	85 lbs.
72"	SN-ISW1921RB	85 lbs.	SN-ISW1924RB	93 lbs.

CENTER BAR MODELS AVAILABLE!

Stainless Craft at