



ITEM #: _____ QTY: _____
 MODEL #: _____
 PROJECT NAME: _____

071917

∴kitchensource.com
 ☎ 1.800.667.8721

"ST4R5-SBK" STAINLESS STEEL TOP WORK TABLES 
14GA TOP W/ 5" RISER AND STAINLESS STEEL LEGS AND ADJUSTABLE BRACING

FEATURES:

- 14 GAUGE STAINLESS STEEL TOP W/ 5" RISER & TURNDOWN
- TYPE 300 STAINLESS STEEL WITH # 4 POLISH, SATIN FINISH
- TOP IS SOUND DEADENED
- REINFORCED WITH 1"X2" CHANNEL RUNNING ENTIRE LENGTH OF TABLE
- 1-1/2" STALLION EDGE ON FRONT SIDE EDGES
90 DEGREE BEND DOWN FOR TABLE LINE-UP
- STAINLESS STEEL BASE WITH ADJUSTABLE BRACING
- ADJUSTABLE BULLET FEET
- SHIPPED KNOCKED-DOWN, EASY-TO-ASSEMBLE
- NSF AND CSA CERTIFIED



ST4R5-3048SBK

CONSTRUCTION:

- TOP: STAINLESS STEEL TOPS ARE TIG WELDED, EXPOSED WELDS ARE POLISHED TO MATCH ADJACENT SURFACE.

MATERIAL:

- TOP: 14 GAUGE STAINLESS STEEL TYPE 300 STAINLESS STEEL WITH # 4 POLISH, SATIN FINISH
- BRACING: 1-1/4" ROUND O.D. 18 GAUGE STAINLESS STEEL
- LEGS: 1-5/8" ROUND O.D. 16 GAUGE TUBULAR STAINLESS STEEL
- GUSSETS: STAINLESS STEEL
- FEET: 1" ADJUSTABLE STAINLESS BULLET FEET



ADJUSTABLE BRACING

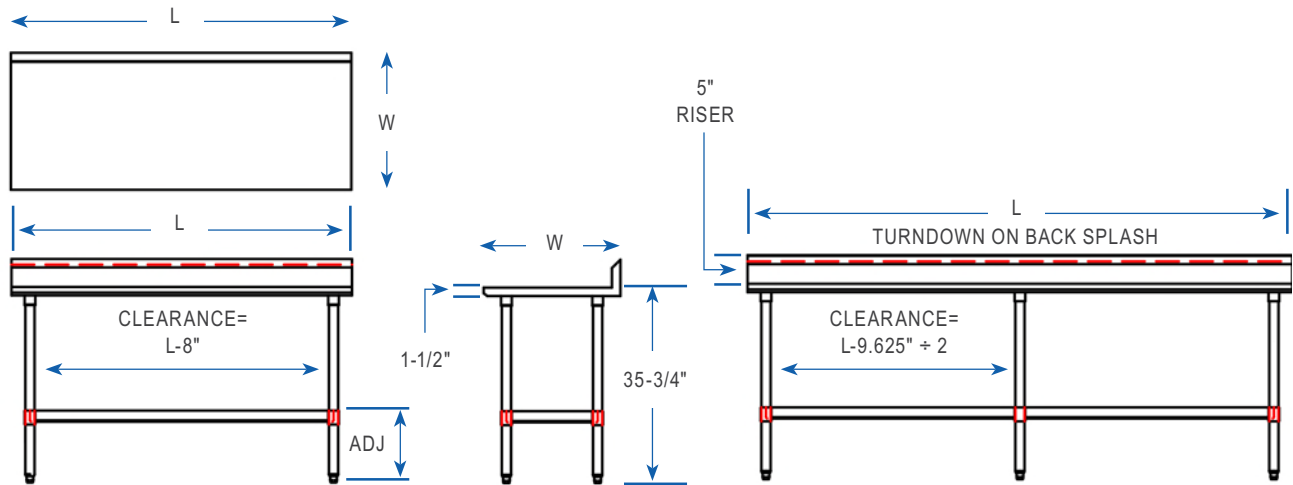
14 GAUGE TOP W/ ADJUSTABLE BRACING

24" WIDE	QTY	30" WIDE	QTY	36" WIDE	QTY
ST4R5-2424SBK		ST4R5-3024SBK		ST4R5-3624SBK	
ST4R5-2430SBK		ST4R5-3030SBK		ST4R5-3630SBK	
ST4R5-2436SBK		ST4R5-3036SBK		ST4R5-3636SBK	
ST4R5-2448SBK		ST4R5-3048SBK		ST4R5-3648SBK	
ST4R5-2460SBK		ST4R5-3060SBK		ST4R5-3660SBK	
ST4R5-2472SBK		ST4R5-3072SBK		ST4R5-3672SBK	
ST4R5-2484SBK		ST4R5-3084SBK		ST4R5-3684SBK	
ST4R5-2496SBK		ST4R5-3096SBK		ST4R5-3696SBK	
ST4R5-24108SBK		ST4R5-30108SBK		ST4R5-36108SBK	
ST4R5-24120SBK		ST4R5-30120SBK		ST4R5-36120SBK	
ST4R5-24132SBK		ST4R5-30132SBK		ST4R5-36132SBK	
ST4R5-24144SBK		ST4R5-30144SBK		ST4R5-36144SBK	

OPTIONAL ACCESSORIES

DESCRIPTION	MODEL #	QTY
DRAWER		
DRAWER LOCK		
CASTERS		
OVERSHELVES		
SINKS		
POT RACK		

DETAILED SPECIFICATIONS



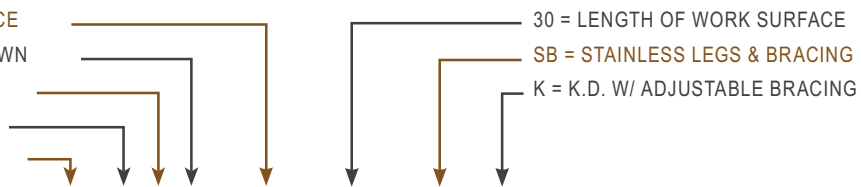
• UNITS 7 FT. AND LARGER ARE FURNISHED WITH SIX LEGS.

14 GAUGE TOP W/ ADJUSTABLE BRACING

LENGTH	24" WIDE	WT. (LBS)	30" WIDE	WT. (LBS)	36" WIDE	WT. (LBS)
24"	ST4R5-2424SBK	35	ST4R5-3024SBK	41	ST4R5-3624SBK	48
30"	ST4R5-2430SBK	49	ST4R5-3030SBK	55	ST4R5-3630SBK	63
36"	ST4R5-2436SBK	55	ST4R5-3036SBK	61	ST4R5-3636SBK	70
48"	ST4R5-2448SBK	66	ST4R5-3048SBK	74	ST4R5-3648SBK	84
60"	ST4R5-2460SBK	77	ST4R5-3060SBK	87	ST4R5-3660SBK	97
72"	ST4R5-2472SBK	89	ST4R5-3072SBK	99	ST4R5-3672SBK	112
84"	ST4R5-2484SBK	108	ST4R5-3084SBK	121	ST4R5-3684SBK	138
96"	ST4R5-2496SBK	119	ST4R5-3096SBK	134	ST4R5-3696SBK	153
108"	ST4R5-24108SBK	129	ST4R5-30108SBK	146	ST4R5-36108SBK	166
120"	ST4R5-24120SBK	141	ST4R5-30120SBK	159	ST4R5-36120SBK	180
132"	ST4R5-24132SBK	152	ST4R5-30132SBK	171	ST4R5-36132SBK	195
144"	ST4R5-24144SBK	164	ST4R5-30144SBK	185	ST4R5-36144SBK	211

MODEL # STRUCTURE

24 = WIDTH OF WORK SURFACE
 5 = HT. OF RISER W/ TURNDOWN
 R = RISER TOP WORK TABLE
 4 = 14GA WORK SURFACE
 ST = STAINLESS STEEL TOP



ST4R5-2430SBK

SOME UNITS SHIP UNASSEMBLED FOR REDUCED SHIPPING COST. ALL DIMENSIONS ARE TYPICAL. TOLERANCE +/- .500"

John Boos & Co. is constantly engaged in a program of improving products and therefore reserves the right to change specifications without prior notice.

