



ITEM #: \_\_\_\_\_ QTY: \_\_\_\_\_  
 MODEL #: \_\_\_\_\_  
 PROJECT NAME: \_\_\_\_\_

020218

**kitchensource.com**  
 1.800.667.8721

## **"EBSW7" ENCLOSED BASE TABLES**

**WOOD TOP - SLIDING - 1.75" THICK**



### **FEATURES:**

- 1-3/4" THICK HARD ROCK MAPLE FLAT TOP
- SLIDING DOOR STYLE
- MAPLE TOP IS FINISHED WITH PENETRATING OIL WITH OPTIONAL NATURAL CLEAR VARNIQUE FINISH
- STAINLESS STEEL CABINET & UNDERSHELF, TYPE 300 STAINLESS STEEL WITH #4 POLISH, SATIN FINISH
- UNDERSHELF IS SECURED IN A FIXED POSITION, 10" ABOVE FLOOR
- SHIPPED STANDARD WELDED SET-UP
- NSF CERTIFIED

### **CONSTRUCTION:**

- TOP: 1-3/4" THICK EDGE GRAIN HARD ROCK MAPLE FLAT TOP
- CABINET: STAINLESS STEEL CABINET IS TIG WELDED, EXPOSED WELDS ARE POLISHED TO MATCH ADJACENT SURFACE

### **MATERIAL:**

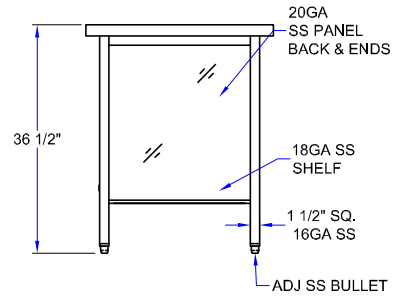
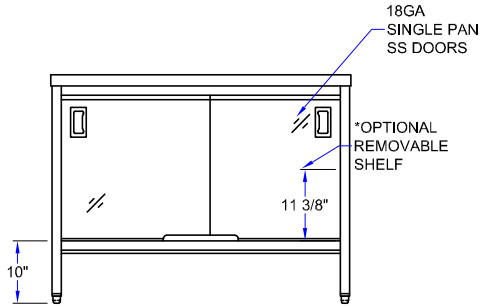
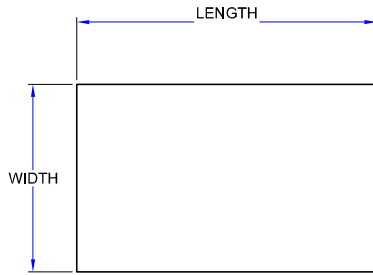
- TOP: 1-3/4" THICK HARD ROCK MAPLE FLAT TOP, FINISHED WITH PENETRATING OIL
- DOORS: 18 GAUGE TYPE 300 STAINLESS STEEL, #4 POLISH WITH SATIN FINISH
- SHELF: 18 GAUGE TYPE 300 STAINLESS STEEL, #4 POLISH WITH SATIN FINISH
- LEGS: 1-1/2" SQUARE O.D., 16 GAUGE TYPE 300 TUBULAR STAINLESS STEEL
- PANELS: 20 GAUGE TYPE 300 STAINLESS STEEL, #4 POLISH WITH SATIN FINISH
- FEET: 1" ADJUSTABLE STAINLESS STEEL FEET



### **ENCLOSED BASE TABLES**

24" WIDTH	QTY	30" WIDTH	QTY
EBSW7-2436		EBSW7-3036	
EBSW7-2448		EBSW7-3048	
EBSW7-2460		EBSW7-3060	
EBSW7-2472		EBSW7-3072	
EBSW7-2484		EBSW7-3084	
EBSW7-2496		EBSW7-3096	
EBSW7-24108		EBSW7-30108	
EBSW7-24120		EBSW7-30120	
EBSW7-24132		EBSW7-30132	
EBSW7-24144		EBSW7-30144	

# DETAILED SPECIFICATIONS



## ENCLOSED BASE TABLES

LENGTH	LEGS	24" WIDTH	WEIGHT (LBS)	30" WIDTH	WEIGHT (LBS)
36"	4	EBSW7-2436	125	EBSW7-3036	145
48"	4	EBSW7-2448	140	EBSW7-3048	160
60"	4	EBSW7-2460	170	EBSW7-3060	196
72"	4	EBSW7-2472	195	EBSW7-3072	228
84"	6	EBSW7-2484	230	EBSW7-3084	257
96"	6	EBSW7-2496	265	EBSW7-3096	285
108"	6	EBSW7-24108	293	EBSW7-30108	336
120"	6	EBSW7-24120	320	EBSW7-30120	387
132"	6	EBSW7-24132	347	EBSW7-30132	438
144"	6	EBSW7-24144	374	EBSW7-30144	489

## MODEL # STRUCTURE

S = WOOD  
 S = SLIDING  
 EB = ENCLOSED BASE TABLE

7 = 1.75" THICK  
 24 = WIDTH - FRONT TO BACK  
 36 = LENGTH - LEFT TO RIGHT

# EBSW7-2436

SOME UNITS SHIP UNASSEMBLED FOR REDUCED SHIPPING COST. ALL DIMENSIONS ARE TYPICAL. TOLERANCE +/- .500"

John Boos & Co. is constantly engaged in a program of improving products and therefore reserves the right to change specifications without prior notice.

