



**John  
BOOS**  
Since 1887

ITEM #: \_\_\_\_\_ QTY: \_\_\_\_\_  
 MODEL #: \_\_\_\_\_  
 PROJECT NAME: \_\_\_\_\_

020218

**∴kitchensource.com**  
 1.800.667.8721

**"EBSW7R4" ENCLOSED BASE TABLES**  
**WOOD TOP - SLIDING - 1.75" THICK - 4" RISER BACK**



**FEATURES:**

- 1-3/4" THICK HARD ROCK MAPLE TOP WITH 4" COVERED REAR RISER
- SLIDING DOOR STYLE
- MAPLE TOP IS FINISHED WITH PENETRATING OIL WITH OPTIONAL NATURAL CLEAR VARNIQUE FINISH
- STAINLESS STEEL CABINET & UNDERSHELF, TYPE 300 STAINLESS STEEL WITH #4 POLISH, SATIN FINISH
- UNDERSHELF IS SECURED IN A FIXED POSITION, 10" ABOVE FLOOR
- SHIPPED STANDARD WELDED SET-UP
- NSF CERTIFIED

**CONSTRUCTION:**

- TOP: 1-3/4" THICK EDGE GRAIN HARD ROCK MAPLE WITH 4" REAR COVERED RISER
- CABINET: STAINLESS STEEL CABINET IS TIG WELDED, EXPOSED WELDS ARE POLISHED TO MATCH ADJACENT SURFACE

**MATERIAL:**

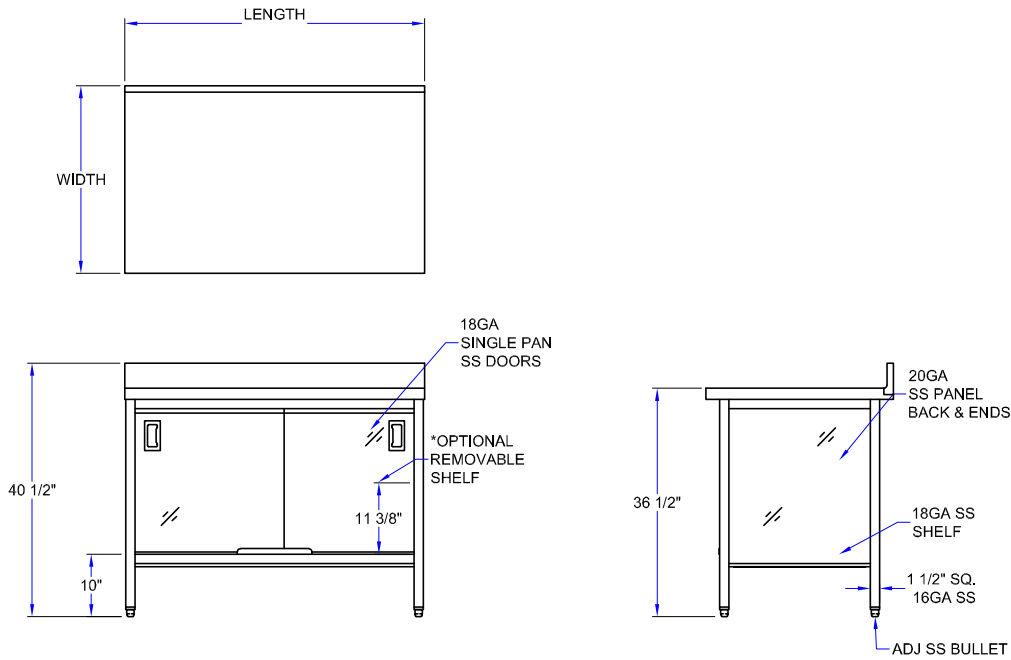
- TOP: 1-3/4" THICK HARD ROCK MAPLE WITH 4" COVERED REAR RISER, FINISHED WITH PENETRATING OIL
- DOORS: 18 GAUGE TYPE 300 STAINLESS STEEL, #4 POLISH WITH SATIN FINISH
- SHELF: 18 GAUGE TYPE 300 STAINLESS STEEL, #4 POLISH WITH SATIN FINISH
- LEGS: 1-1/2" SQUARE O.D., 16 GAUGE TYPE 300 TUBULAR STAINLESS STEEL
- PANELS: 20 GAUGE TYPE 300 STAINLESS STEEL, #4 POLISH WITH SATIN FINISH
- FEET: 1" ADJUSTABLE STAINLESS STEEL FEET



**ENCLOSED BASE TABLES**

24" WIDTH	QTY	30" WIDTH	QTY
EBSW7R4-2436		EBSW7R4-3036	
EBSW7R4-2448		EBSW7R4-3048	
EBSW7R4-2460		EBSW7R4-3060	
EBSW7R4-2472		EBSW7R4-3072	
EBSW7R4-2484		EBSW7R4-3084	
EBSW7R4-2496		EBSW7R4-3096	
EBSW7R4-24108		EBSW7R4-30108	
EBSW7R4-24120		EBSW7R4-30120	
EBSW7R4-24132		EBSW7R4-30132	
EBSW7R4-24144		EBSW7R4-30144	

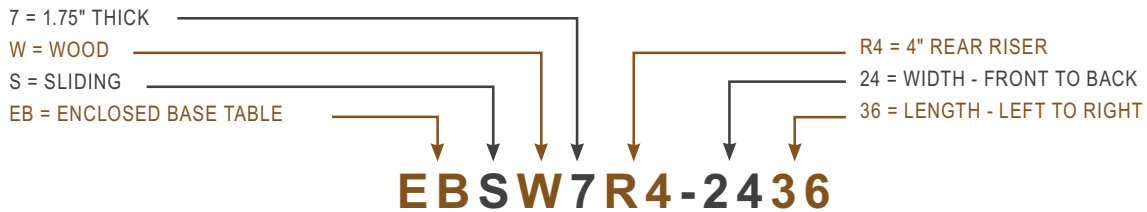
# DETAILED SPECIFICATIONS



## ENCLOSED BASE TABLES

LENGTH	LEGS	24" WIDTH	WEIGHT (LBS)	30" WIDTH	WEIGHT (LBS)
36"	4	EBSW7R4-2436	135	EBSW7R4-3036	157
48"	4	EBSW7R4-2448	145	EBSW7R4-3048	167
60"	4	EBSW7R4-2460	180	EBSW7R4-3060	210
72"	4	EBSW7R4-2472	210	EBSW7R4-3072	249
84"	6	EBSW7R4-2484	248	EBSW7R4-3084	281
96"	6	EBSW7R4-2496	285	EBSW7R4-3096	313
108"	6	EBSW7R4-24108	315	EBSW7R4-30108	369
120"	6	EBSW7R4-24120	345	EBSW7R4-30120	425
132"	6	EBSW7R4-24132	375	EBSW7R4-30132	481
144"	6	EBSW7R4-24144	405	EBSW7R4-30144	537

## MODEL # STRUCTURE



SOME UNITS SHIP UNASSEMBLED FOR REDUCED SHIPPING COST. ALL DIMENSIONS ARE TYPICAL. TOLERANCE +/- .500"

John Boos & Co. is constantly engaged in a program of improving products and therefore reserves the right to change specifications without prior notice.

