
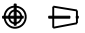
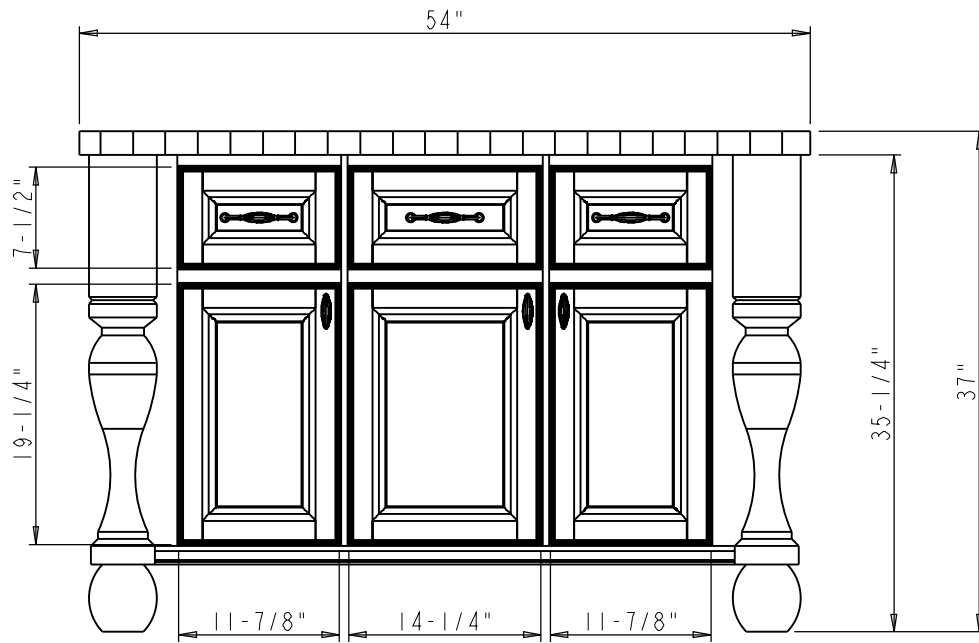


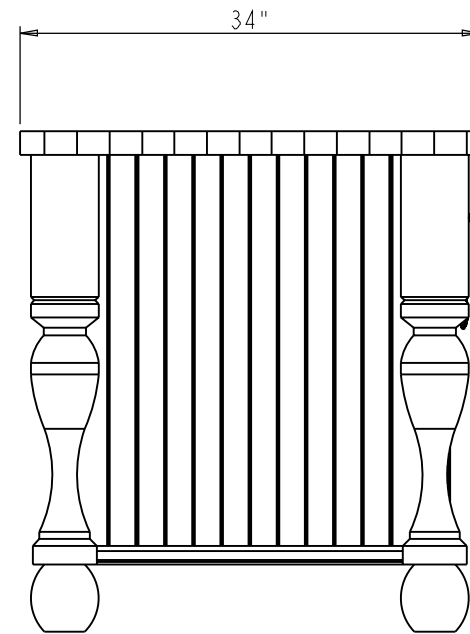
Specification:

1. Material: MDF and Birch
2. Finish: AWH
AQU
DBK
RED
3. Hardware:
ISL01 in AWH, 618DBAC (3 PCS) for Doors
718DBAC (3 PCS) for Drawers
ISL01 in AQU/DBK/RED, 618BNMDL (3 PCS) for Doors
718BNMDL (3 PCS) for Drawers
4. Slides: 303FU-16 (3 SETS)
5. Hinge: 500.0535.05 with 400.0118.05 Plate
6. Shelf Supports: 1706 (20 PCS)
7. Drawer Boxes: 5/8" Rubber wood
Clear color
Dovetail
8. Top: 1-3/4" Maple Butcher Block Treated With Mineral Oil
9. The tolerance is +/- 1/8"

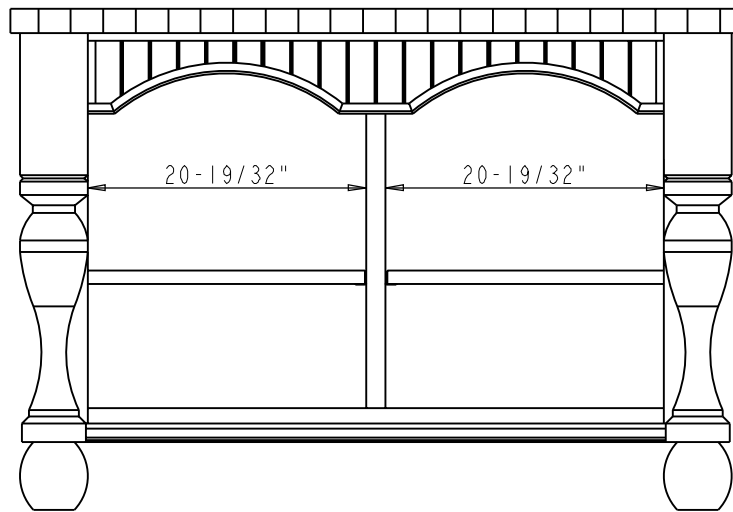
 PROPRIETARY AND CONFIDENTIAL <small>THE INFORMATION CONTAINED IN THIS DRAWING IS THE SOLE PROPERTY OF HARDWARE RESOURCES INC. ANY REPRODUCTION IN PART OR AS A WHOLE WITHOUT THE WRITTEN PERMISSION OF HARDWARE RESOURCES INC. IS PROHIBITED.</small>	ITEM#: ISL01		MATERIAL:	
	FINISH:		WEIGHT: g	
<small>DO NOT SCALE DRAWING</small>	PROJECTION: 		DRAWN BY: <i>alan. luo</i>	
	UNIT:	CHECKED BY:	DATE:	
	SIZE:	APPROVED BY:	DATE:	
	PAGE 01		DATE:	



FRONT VIEW

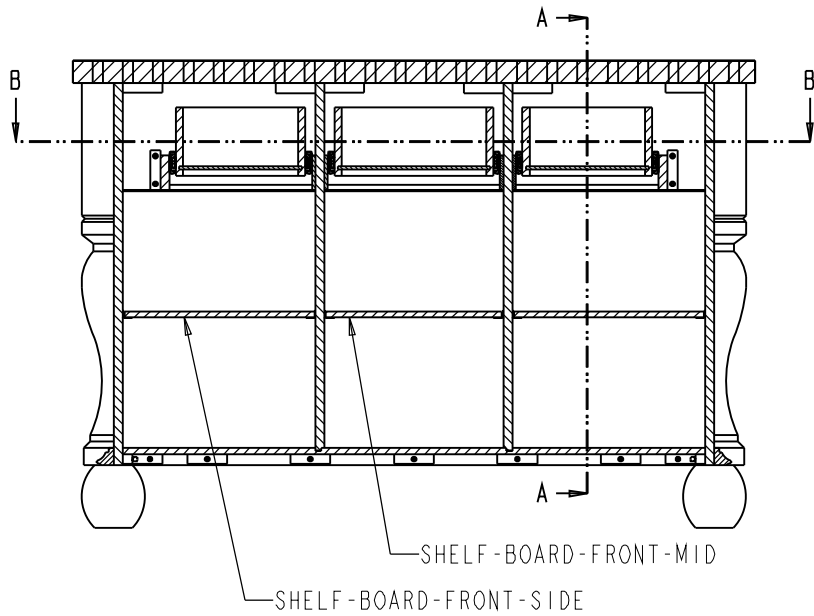


SIDE VIEW

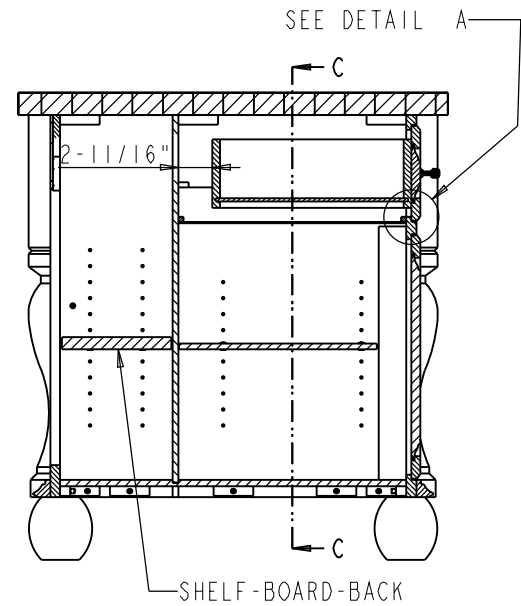


REAR VIEW

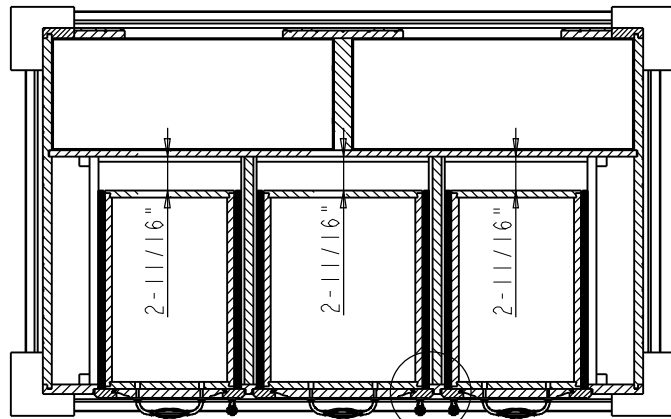
	ITEM#: ISL01		MATERIAL:	
	FINISH:		WEIGHT: g	
PROPRIETARY AND CONFIDENTIAL THE INFORMATION CONTAINED IN THIS DRAWING IS THE SOLE PROPERTY OF HARDWARE RESOURCES INC. ANY REPRODUCTION IN PART OR AS A WHOLE WITHOUT THE WRITTEN PERMISSION OF HARDWARE RESOURCES INC. IS PROHIBITED.	PROJECTION:		DATE:	
	DO NOT SCALE DRAWING	UNIT:	DRAWN BY: <i>alan. liu</i>	DATE:
		SIZE:	CHECKED BY:	DATE:
		APPROVED BY:	DATE:	
	PAGE 02			



SECTION C-C

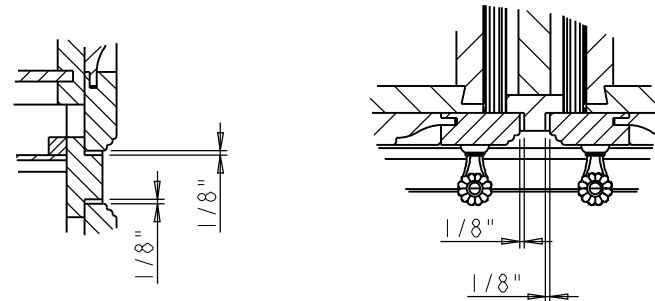


SECTION A-A



SEE DETAIL B

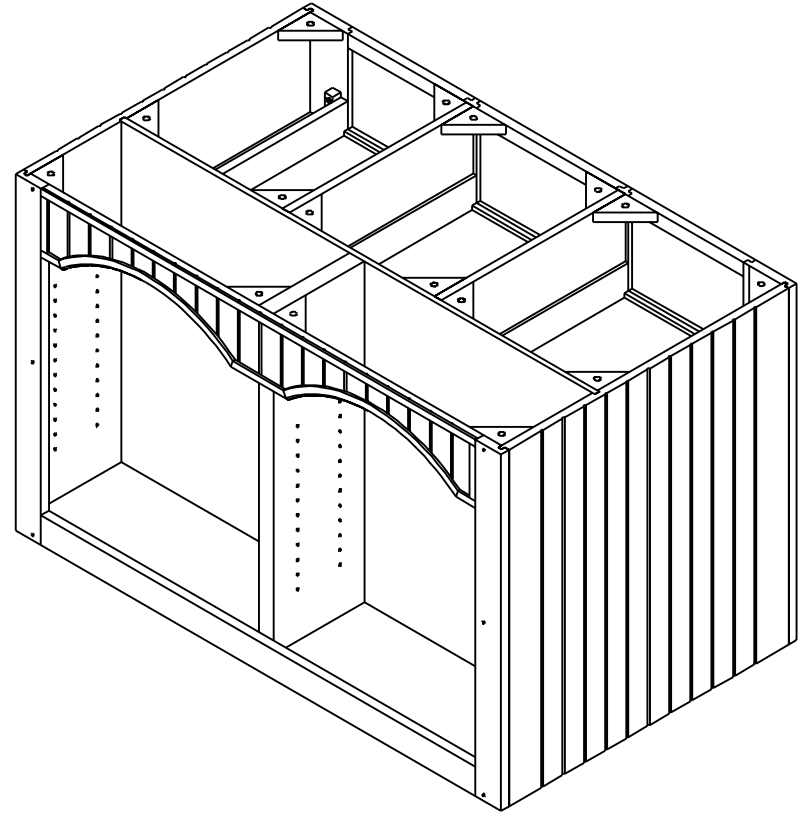
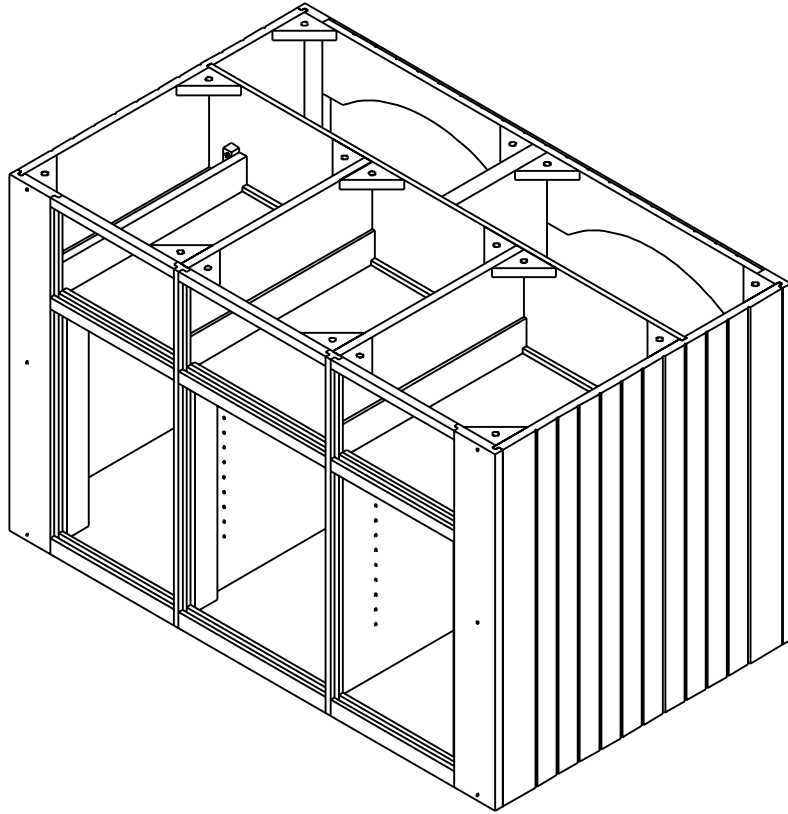
SECTION B-B



DETAIL A


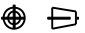
DETAIL B

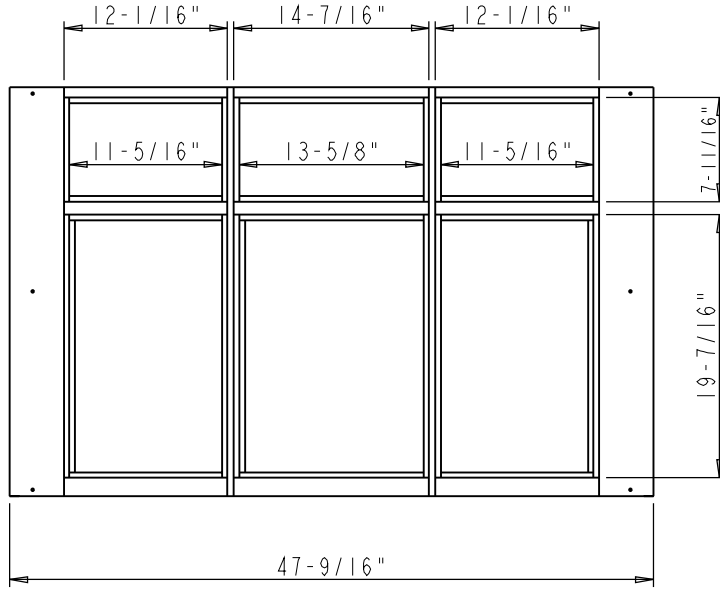
	ITEM:	ISL01		MATERIAL:
	FINISH:			WEIGHT: g
PROPRIETARY AND CONFIDENTIAL THE INFORMATION CONTAINED IN THIS DRAWING IS THE SOLE PROPERTY OF HARDWARE RESOURCES INC. ANY REPRODUCTION IN PART OR AS A WHOLE WITHOUT THE WRITTEN PERMISSION OF HARDWARE RESOURCES INC. IS PROHIBITED.	DO NOT SCALE DRAWING	UNIT:	DRAWN BY: <i>alan. liu</i>	DATE:
		SIZE:	CHECKED BY:	DATE:
		PAGE 03	APPROVED BY:	DATE:



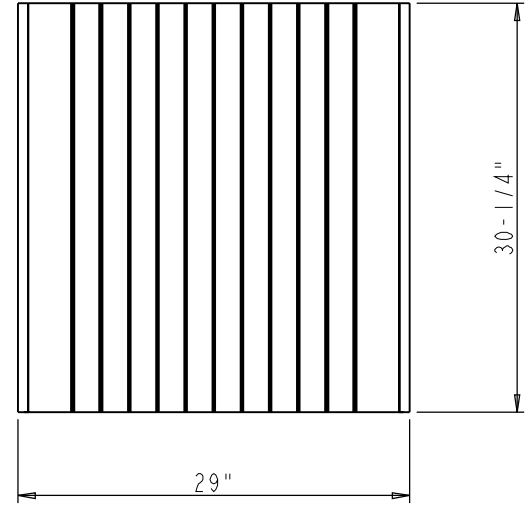
Specification:

1. Material: MDF and Birch

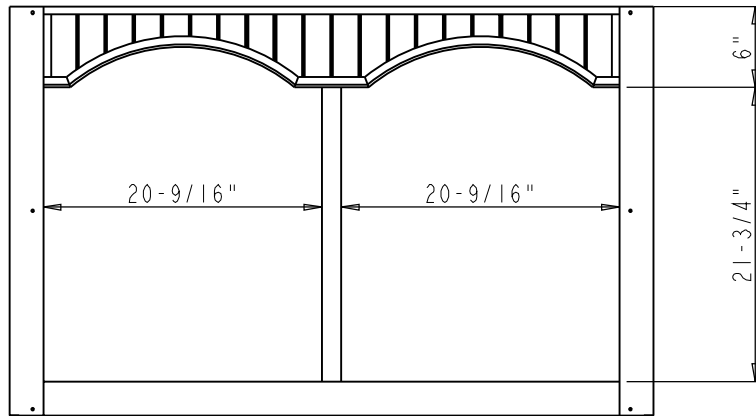
	ITEM: CABINET		MATERIAL:	
	FINISH:		WEIGHT: g	
<p>PROPRIETARY AND CONFIDENTIAL</p> <p>THE INFORMATION CONTAINED IN THIS DRAWING IS THE SOLE PROPERTY OF HARDWARE RESOURCES INC. ANY REPRODUCTION IN PART OR AS A WHOLE WITHOUT THE WRITTEN PERMISSION OF HARDWARE RESOURCES INC. IS PROHIBITED.</p>	DO NOT SCALE DRAWING		PROJECTION: 	
	UNIT:	DRAWN BY: <i>alan. liu</i>	DATE:	
	SIZE:	CHECKED BY:	DATE:	
	PAGE 04	APPROVED BY:	DATE:	



FRONT VIEW

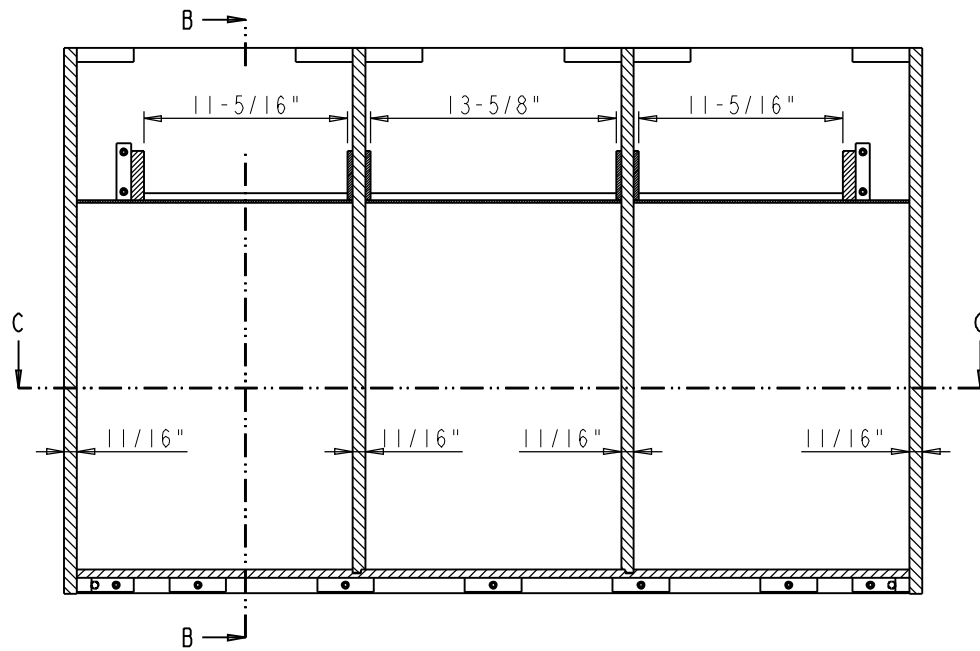


SIDE VIEW

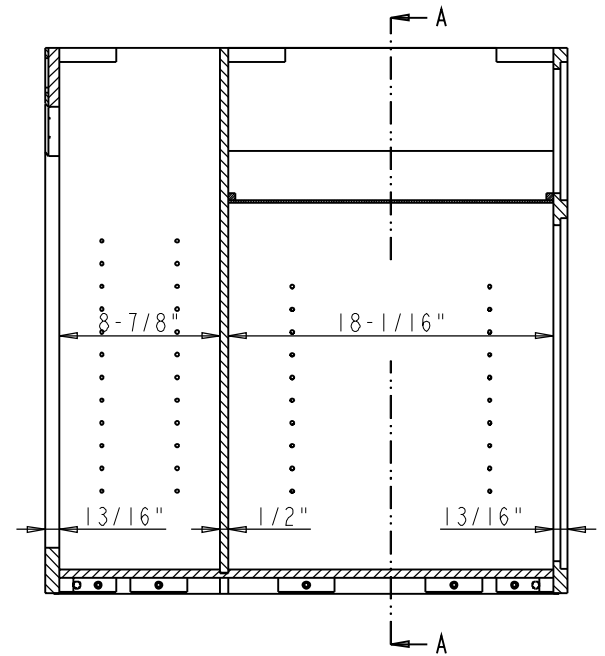


REAR VIEW

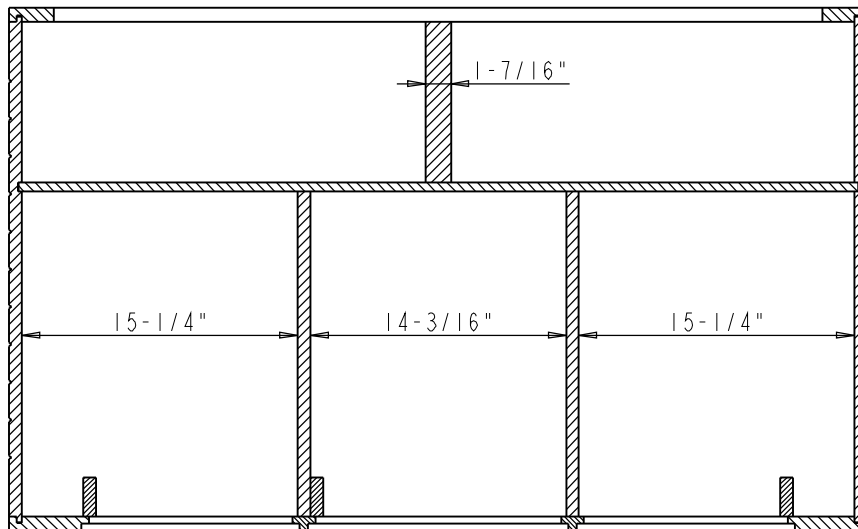
	ITEM: CABINET		MATERIAL:	
	FINISH:		WEIGHT: 9	
PROPRIETARY AND CONFIDENTIAL THE INFORMATION CONTAINED IN THIS DRAWING IS THE SOLE PROPERTY OF HARDWARE RESOURCES INC. ANY REPRODUCTION IN PART OR AS A WHOLE WITHOUT THE WRITTEN PERMISSION OF HARDWARE RESOURCES INC. IS PROHIBITED.	PROJECTION:		DATE:	
	DO NOT SCALE DRAWING	UNIT:	DRAWN BY: <i>alan. liu</i>	DATE:
		SIZE:	CHECKED BY:	DATE:
		PAGE 05	APPROVED BY:	DATE:



SECTION A-A

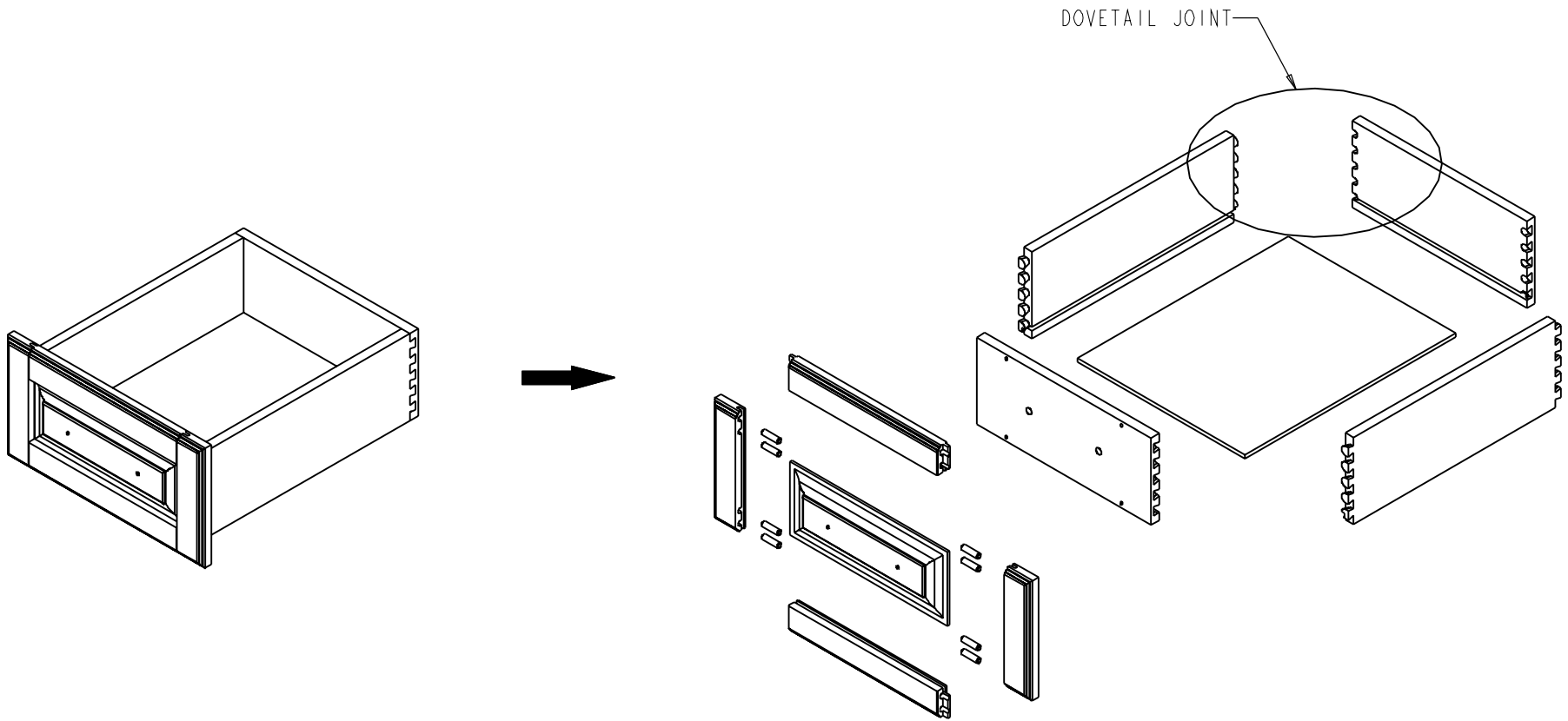


SECTION B-B



SECTION C-C

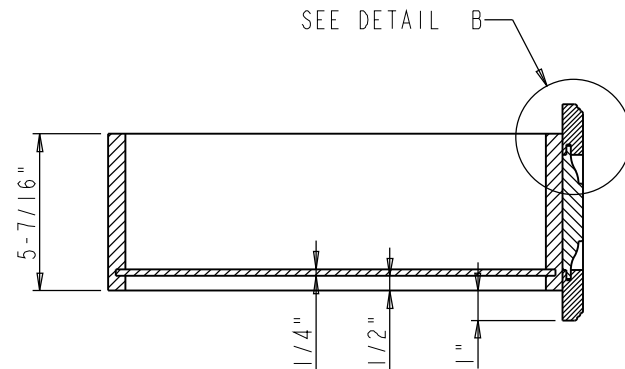
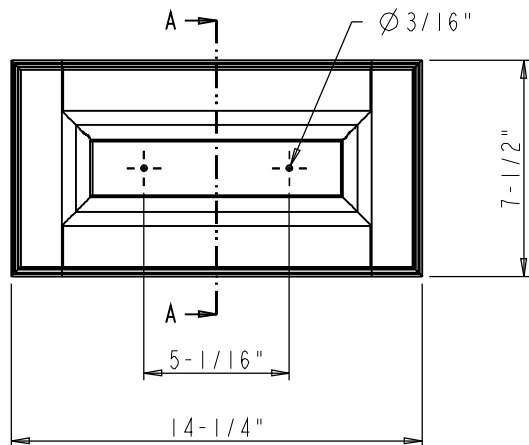
	ITEM:	CABINET		MATERIAL:
	FINISH:			WEIGHT:
<p>PROPRIETARY AND CONFIDENTIAL</p> <p>THE INFORMATION CONTAINED IN THIS DRAWING IS THE SOLE PROPERTY OF HARDWARE RESOURCES INC. ANY REPRODUCTION IN PART OR AS A WHOLE WITHOUT THE WRITTEN PERMISSION OF HARDWARE RESOURCES INC. IS PROHIBITED.</p>	DO NOT SCALE DRAWING	UNIT:	DRAWN BY:	DATE:
		SIZE:	CHECKED BY:	DATE:
		PAGE 06	APPROVED BY:	DATE:
				PROJECTION:
				g
			<i>alan. liu</i>	



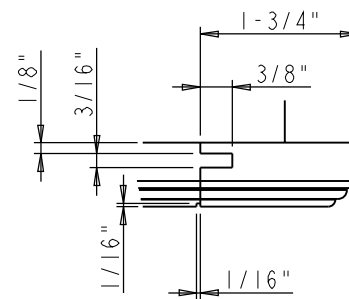
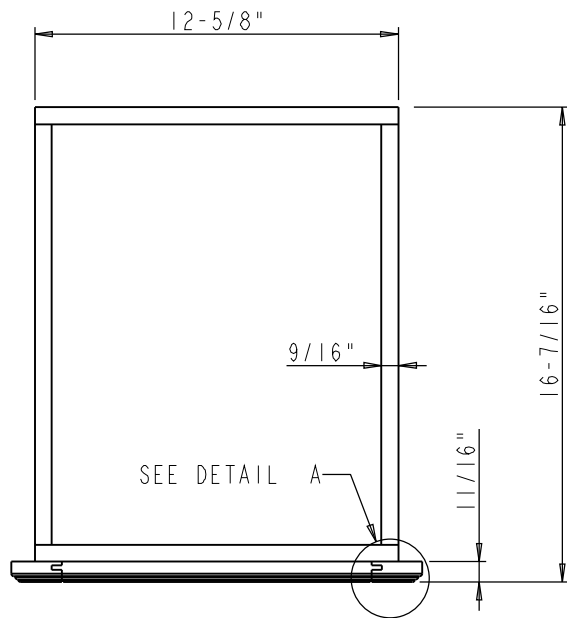
Specification:

- 1. Drawer Boxes: 5/8" Rubber wood
Clear color
Dovetail

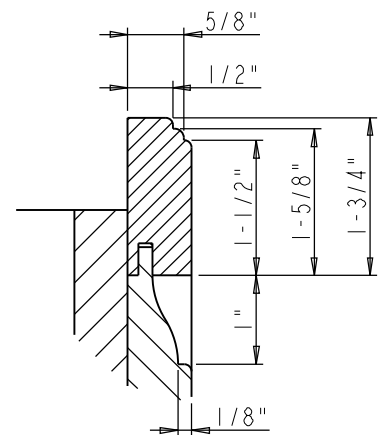
	ITEM#: DRAWER - MID		MATERIAL:	
	FINISH:		WEIGHT: g	
<p>PROPRIETARY AND CONFIDENTIAL</p> <p>THE INFORMATION CONTAINED IN THIS DRAWING IS THE SOLE PROPERTY OF HARDWARE RESOURCES INC. ANY REPRODUCTION IN PART OR AS A WHOLE WITHOUT THE WRITTEN PERMISSION OF HARDWARE RESOURCES INC. IS PROHIBITED.</p>	PROJECTION:		DATE:	
	DO NOT SCALE DRAWING	UNIT:	DRAWN BY: <i>alan. liu</i>	DATE:
		SIZE:	CHECKED BY:	DATE:
	PAGE 07	APPROVED BY:	DATE:	



SECTION A-A

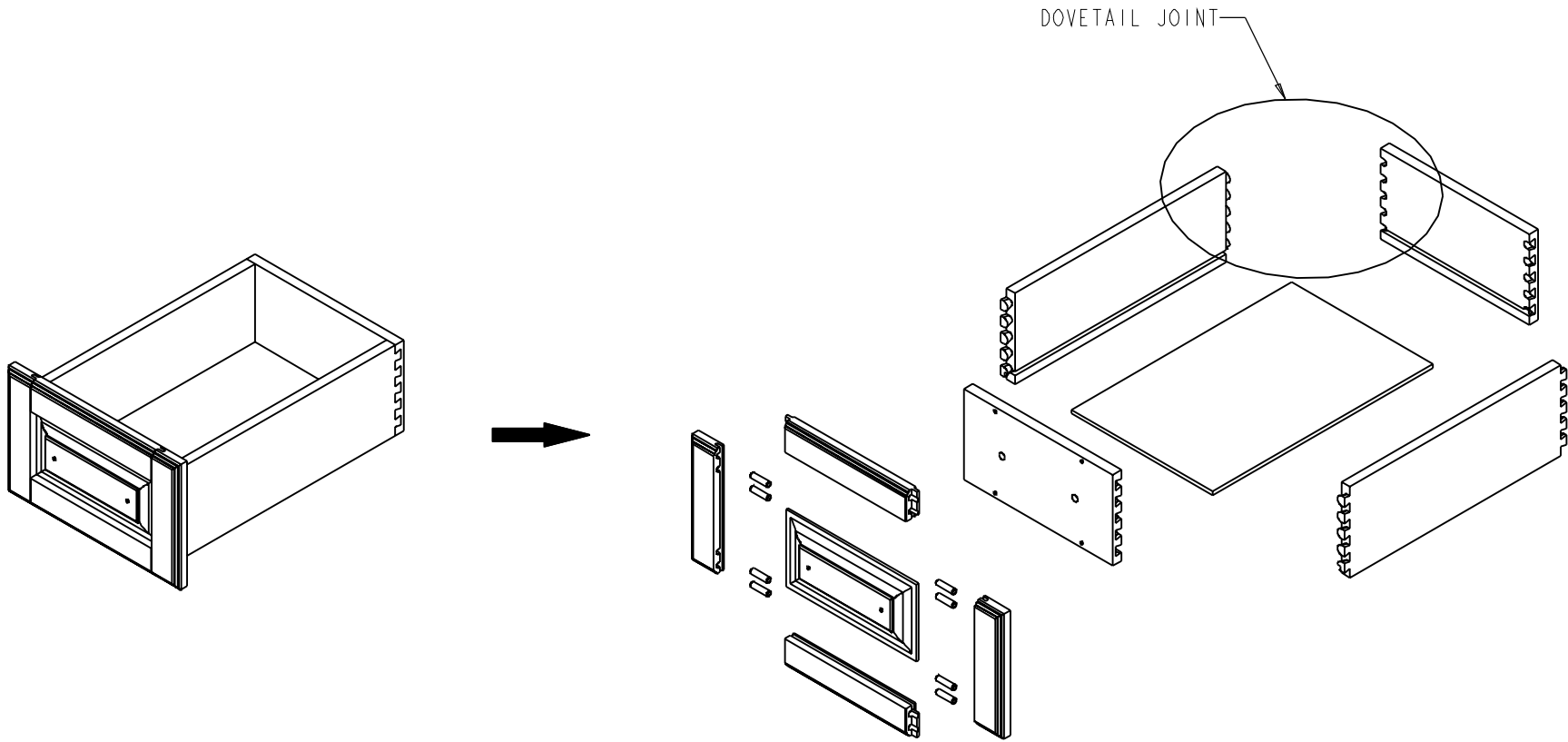


DETAIL A
SCALE 1:2



DETAIL B
SCALE 1:2

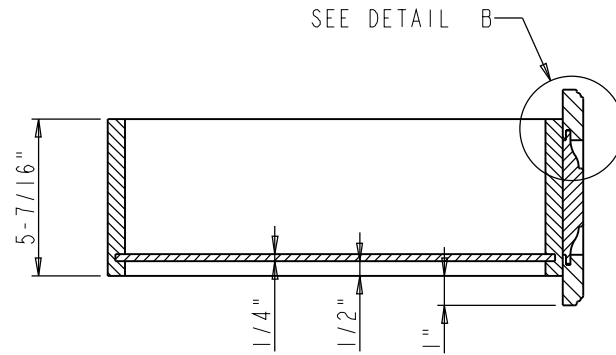
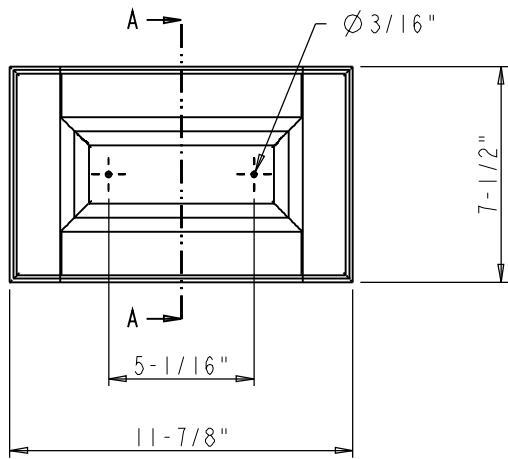
	ITEM: DRAWER - MID		MATERIAL:	
	FINISH:		WEIGHT: g	
PROPRIETARY AND CONFIDENTIAL THE INFORMATION CONTAINED IN THIS DRAWING IS THE SOLE PROPERTY OF HARDWARE RESOURCES INC. ANY REPRODUCTION IN PART OR AS A WHOLE WITHOUT THE WRITTEN PERMISSION OF HARDWARE RESOURCES INC. IS PROHIBITED.	PROJECTION:		DATE:	
	DO NOT SCALE DRAWING	UNIT:	DRAWN BY: <i>alan. liu</i>	DATE:
		SIZE:	CHECKED BY:	DATE:
	PAGE 08	APPROVED BY:	DATE:	



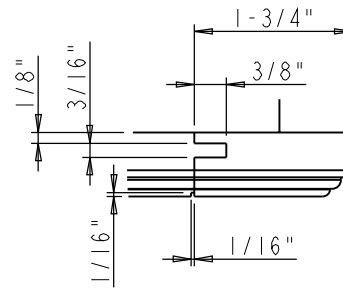
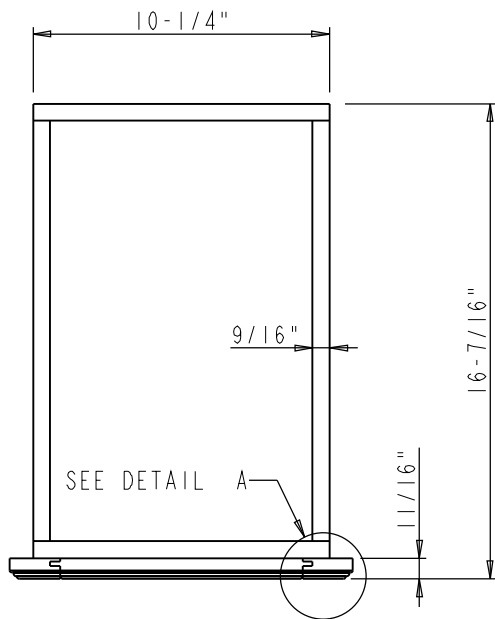
Specification:

- 1. Drawer Boxes: 5/8" Rubber wood
Clear color
Dovetail

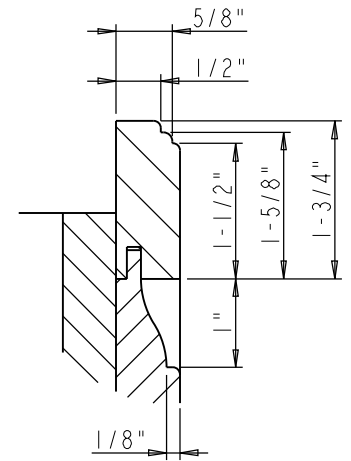
	ITEM#: DRAWER - SIDE		MATERIAL:	
	FINISH:		WEIGHT: g	
PROPRIETARY AND CONFIDENTIAL THE INFORMATION CONTAINED IN THIS DRAWING IS THE SOLE PROPERTY OF HARDWARE RESOURCES INC. ANY REPRODUCTION IN PART OR AS A WHOLE WITHOUT THE WRITTEN PERMISSION OF HARDWARE RESOURCES INC. IS PROHIBITED.	DO NOT SCALE DRAWING		PROJECTION:	
			UNIT:	DRAWN BY: <i>alan. liu</i>
	SIZE:	CHECKED BY:	DATE:	
	PAGE 09	APPROVED BY:	DATE:	



SECTION A-A

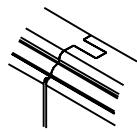
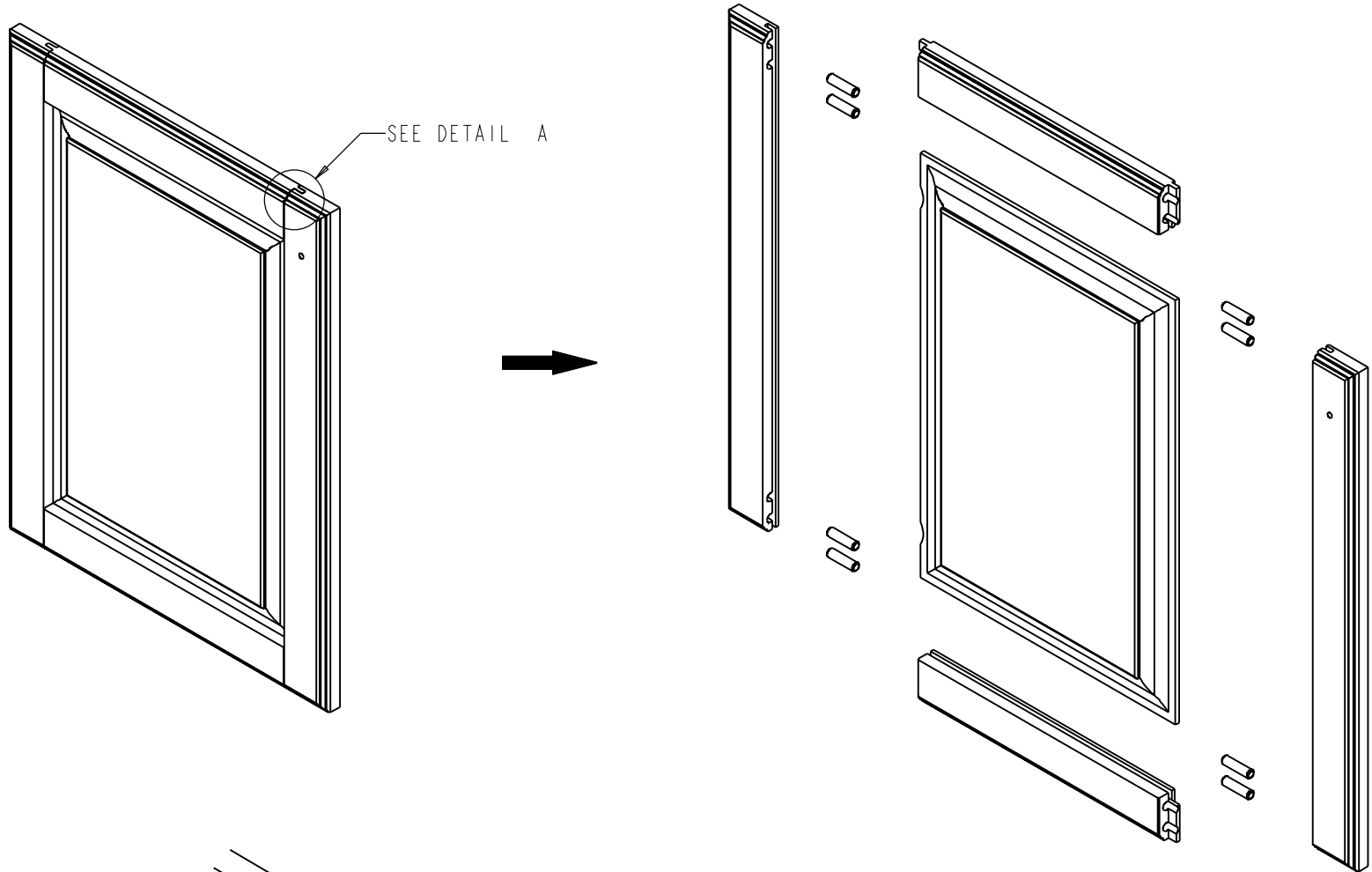


DETAIL A
SCALE 1:2



DETAIL B
SCALE 1:2


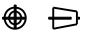
	ITEM: DRAWER-SIDE		MATERIAL:	
	FINISH:		WEIGHT: g	
PROPRIETARY AND CONFIDENTIAL THE INFORMATION CONTAINED IN THIS DRAWING IS THE SOLE PROPERTY OF HARDWARE RESOURCES INC. ANY REPRODUCTION IN PART OR AS A WHOLE WITHOUT THE WRITTEN PERMISSION OF HARDWARE RESOURCES INC. IS PROHIBITED.	DO NOT SCALE DRAWING		PROJECTION:	
	UNIT:	DRAWN BY: <i>alan. liu</i>	DATE:	
	SIZE:	CHECKED BY:	DATE:	
PAGE 10		APPROVED BY:	DATE:	

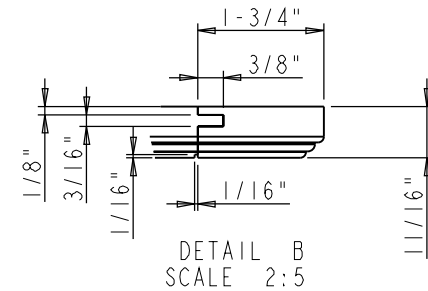
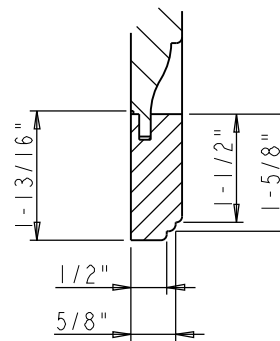
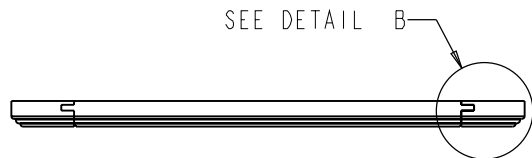
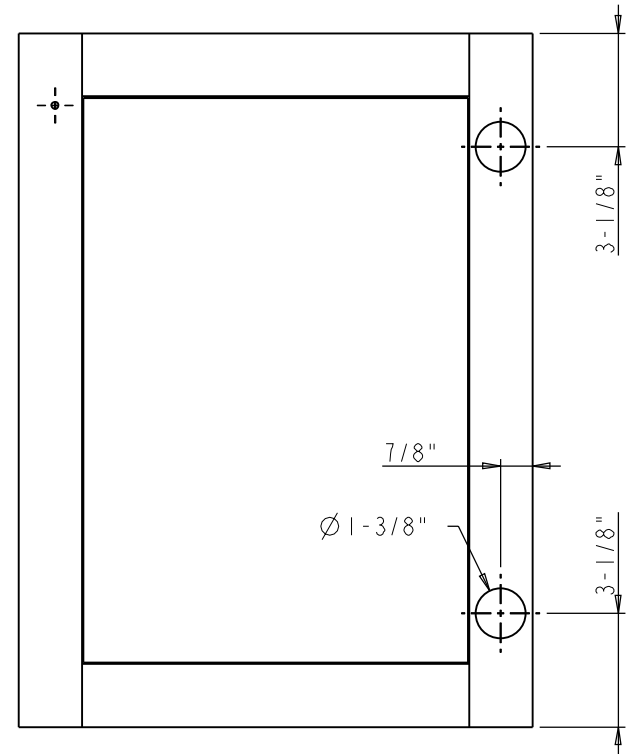
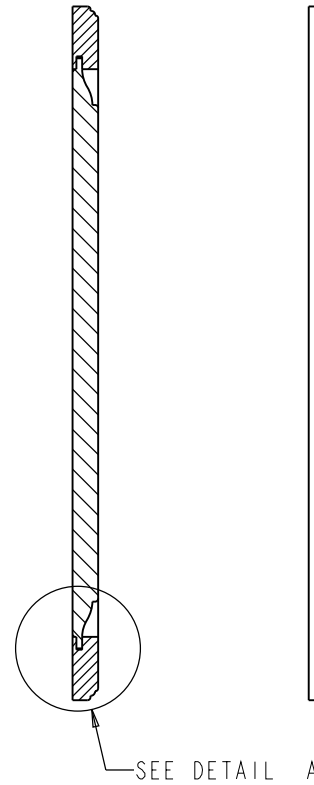
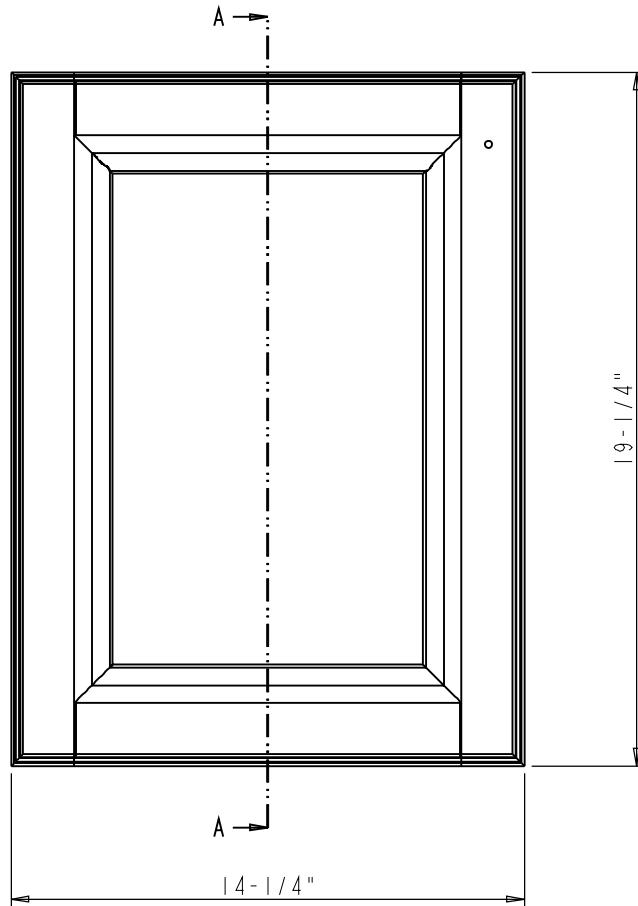


DETAIL A

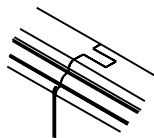
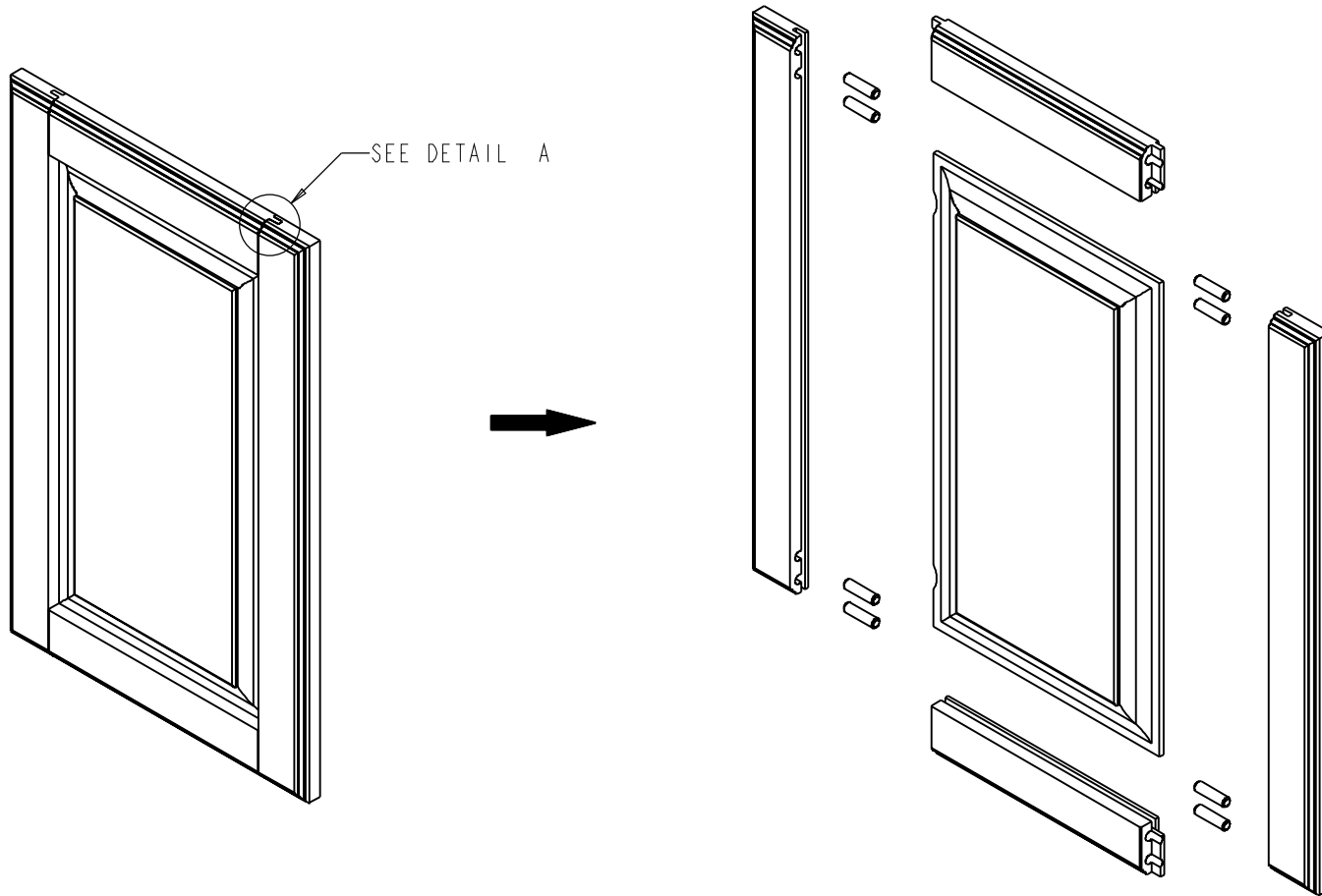
Specification:

1. Material: MDF and Birch

	ITEM#: DOOR - MID		MATERIAL:	
	FINISH:		WEIGHT: 9	
PROPRIETARY AND CONFIDENTIAL THE INFORMATION CONTAINED IN THIS DRAWING IS THE SOLE PROPERTY OF HARDWARE RESOURCES INC. ANY REPRODUCTION IN PART OR AS A WHOLE WITHOUT THE WRITTEN PERMISSION OF HARDWARE RESOURCES INC. IS PROHIBITED.	PROJECTION: 		DATE:	
	DO NOT SCALE DRAWING	UNIT:	DRAWN BY: <i>alan. liu</i>	DATE:
		SIZE:	CHECKED BY:	DATE:
	PAGE 11	APPROVED BY:	DATE:	



hardware resources PROPRIETARY AND CONFIDENTIAL THE INFORMATION CONTAINED IN THIS DRAWING IS THE SOLE PROPERTY OF HARDWARE RESOURCES INC. ANY REPRODUCTION IN PART OR AS A WHOLE WITHOUT THE WRITTEN PERMISSION OF HARDWARE RESOURCES INC. IS PROHIBITED.	ITEM#: DOOR-MID		MATERIAL:	
	FINISH:		WEIGHT: g	
DO NOT SCALE DRAWING	UNIT:	DRAWN BY: alan. luo	PROJECTION:	
	SIZE:	CHECKED BY:	DATE:	
	PAGE 12	APPROVED BY:	DATE:	

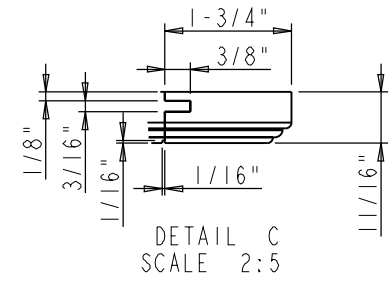
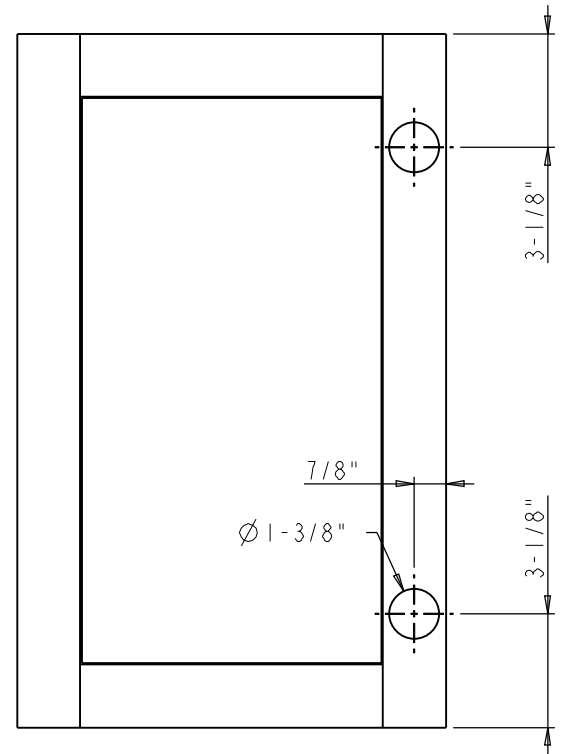
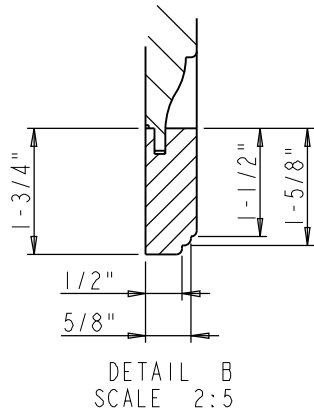
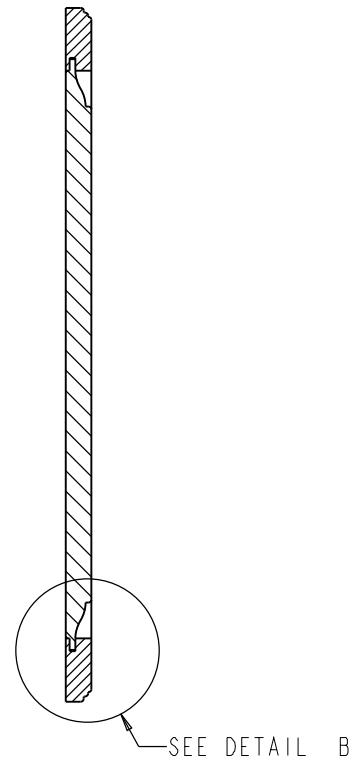
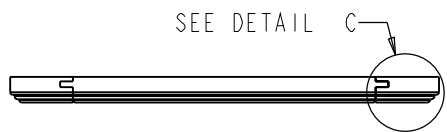
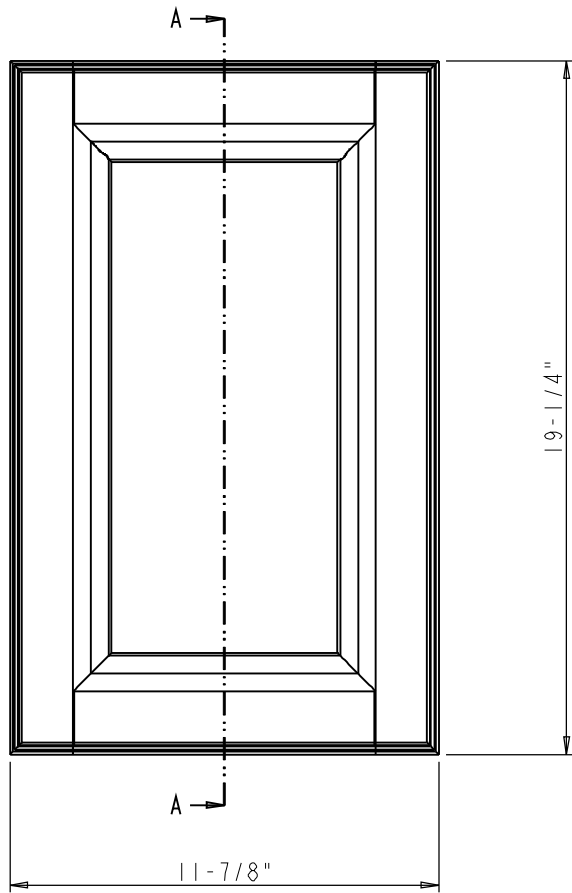


DETAIL A

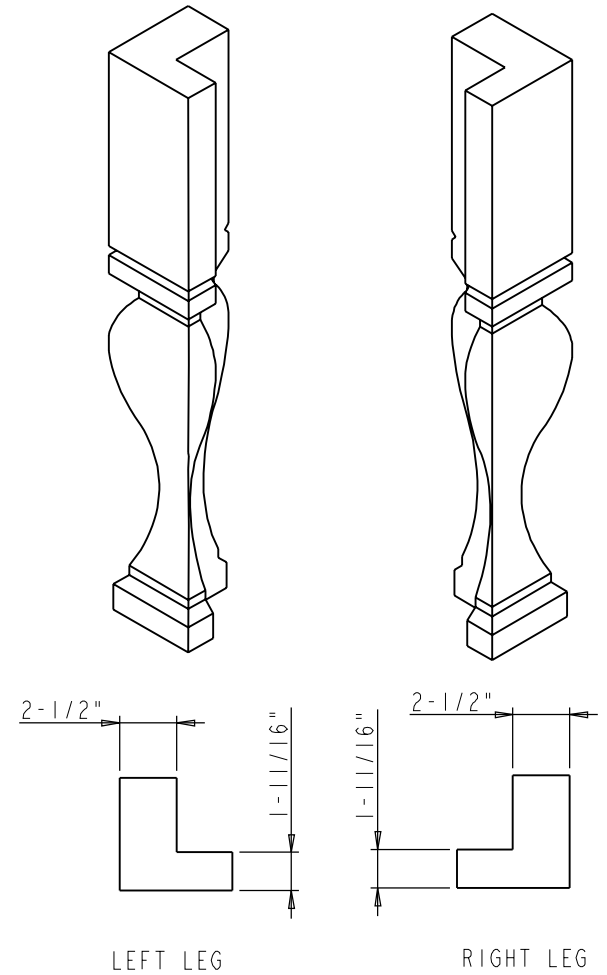
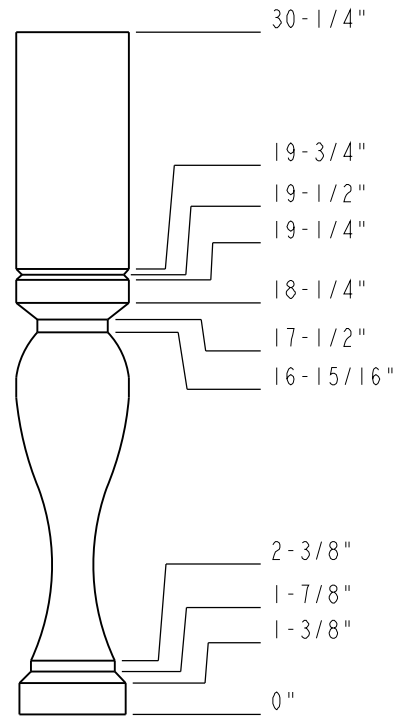
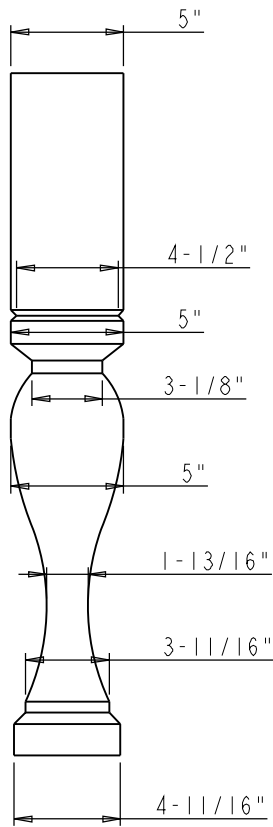
Specification:

1. Material: MDF and Birch

	ITEM#: DOOR-SIDE		MATERIAL:	
	FINISH:		WEIGHT: 9	
PROPRIETARY AND CONFIDENTIAL THE INFORMATION CONTAINED IN THIS DRAWING IS THE SOLE PROPERTY OF HARDWARE RESOURCES INC. ANY REPRODUCTION IN PART OR AS A WHOLE WITHOUT THE WRITTEN PERMISSION OF HARDWARE RESOURCES INC. IS PROHIBITED.	PROJECTION:		DATE:	
	DO NOT SCALE DRAWING	UNIT:	DRAWN BY: <i>alan. liu</i>	DATE:
		SIZE:	CHECKED BY:	DATE:
		PAGE 13	APPROVED BY:	DATE:



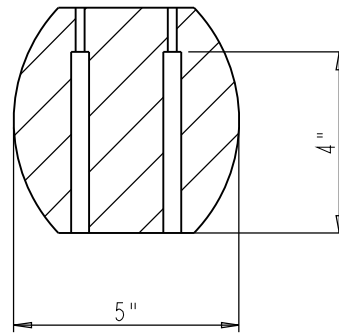
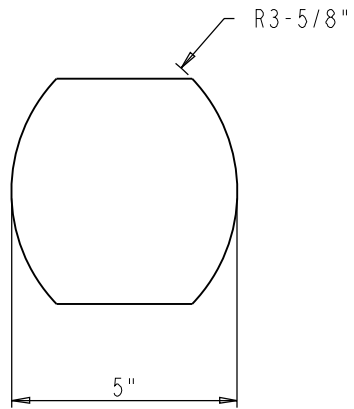
	ITEM: DOOR-SIDE		MATERIAL:	
	FINISH:		WEIGHT: g	
PROPRIETARY AND CONFIDENTIAL THE INFORMATION CONTAINED IN THIS DRAWING IS THE SOLE PROPERTY OF HARDWARE RESOURCES INC. ANY REPRODUCTION IN PART OR AS A WHOLE WITHOUT THE WRITTEN PERMISSION OF HARDWARE RESOURCES INC. IS PROHIBITED.	PROJECTION:			
	DO NOT SCALE DRAWING	UNIT:	DRAWN BY: alan. liu	DATE:
		SIZE:	CHECKED BY:	DATE:
	PAGE 14	APPROVED BY:	DATE:	



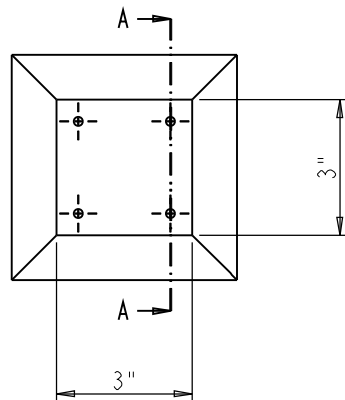
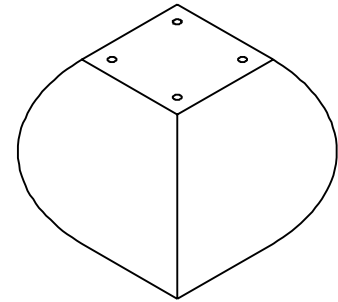
Specification:

1. Material: Birch

	ITEM: LEG-RIGHT-TOP		MATERIAL:	
	FINISH:		WEIGHT: g	
PROPRIETARY AND CONFIDENTIAL THE INFORMATION CONTAINED IN THIS DRAWING IS THE SOLE PROPERTY OF HARDWARE RESOURCES INC. ANY REPRODUCTION IN PART OR AS A WHOLE WITHOUT THE WRITTEN PERMISSION OF HARDWARE RESOURCES INC. IS PROHIBITED.	DO NOT SCALE DRAWING		PROJECTION:	
	UNIT:	DRAWN BY: <i>alan. liu</i>	DATE:	
	SIZE:	CHECKED BY:	DATE:	
PAGE 15		APPROVED BY:	DATE:	



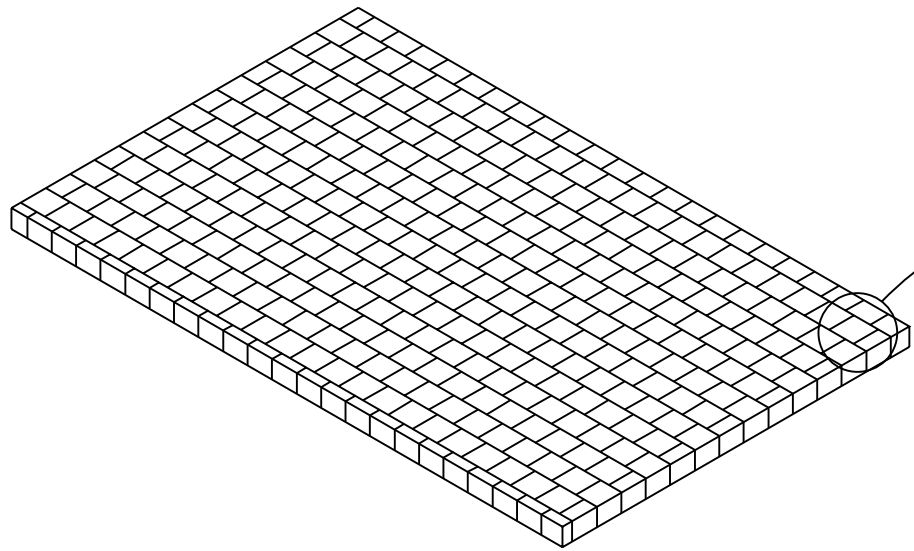
SECTION A-A



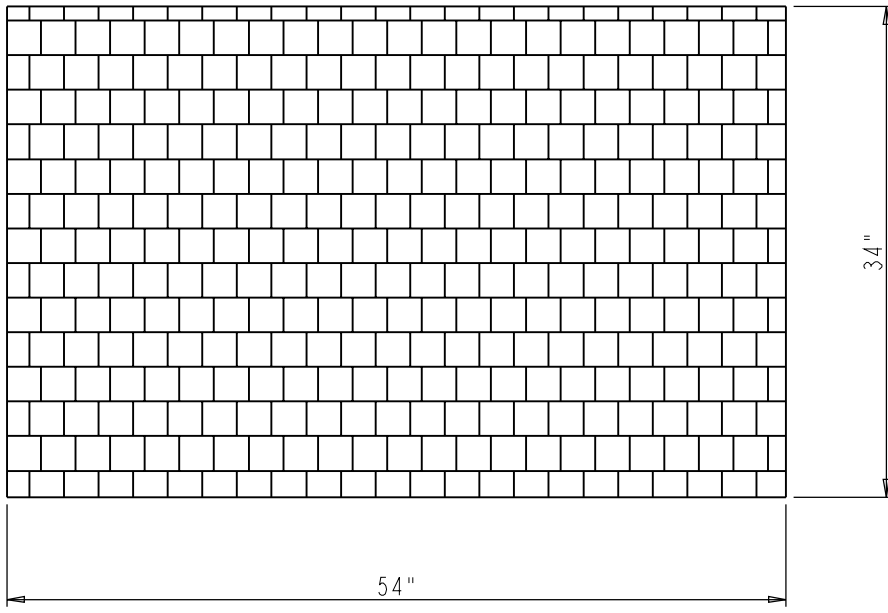
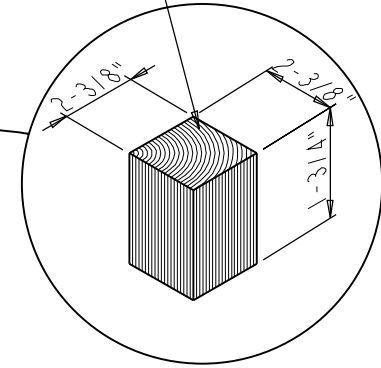
Specification:

1. Material: Birch

hardware resources	ITEM#: LEG-BTM		MATERIAL:		
	FINISH:		WEIGHT: g		
PROPRIETARY AND CONFIDENTIAL THE INFORMATION CONTAINED IN THIS DRAWING IS THE SOLE PROPERTY OF HARDWARE RESOURCES INC. ANY REPRODUCTION IN PART OR AS A WHOLE WITHOUT THE WRITTEN PERMISSION OF HARDWARE RESOURCES INC. IS PROHIBITED.	PROJECTION:				
	DO NOT SCALE DRAWING	UNIT:	DRAWN BY: <i>alan. liu</i>	DATE:	
		SIZE:	CHECKED BY:	DATE:	
		PAGE 16	APPROVED BY:	DATE:	



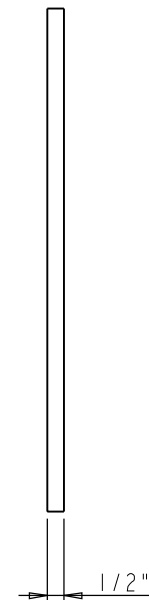
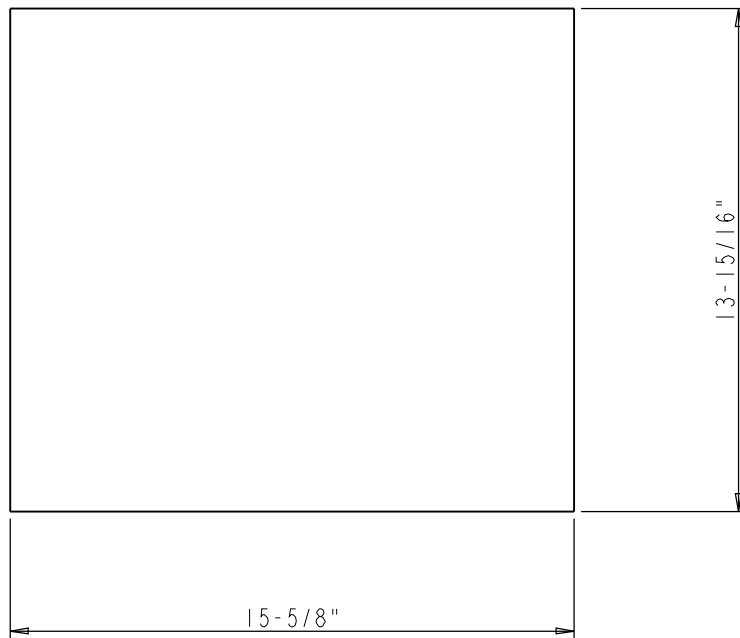
END GRAIN FACING UP



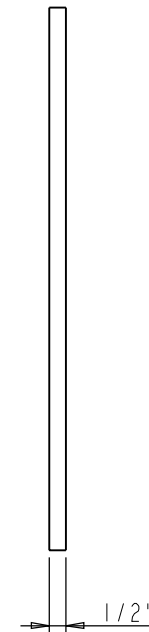
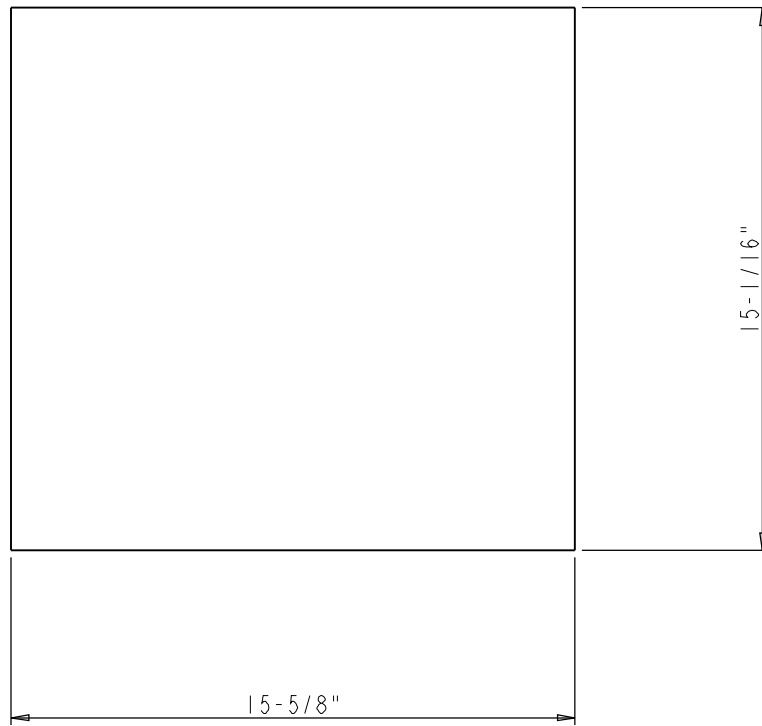
Specification:

- 1. Top: 1-3/4" Maple Butcher Block Treated With Mineral Oil

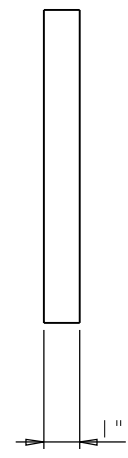
	ITEM: PIECE		MATERIAL:	
	FINISH:		WEIGHT: g	
<p>PROPRIETARY AND CONFIDENTIAL</p> <p>THE INFORMATION CONTAINED IN THIS DRAWING IS THE SOLE PROPERTY OF HARDWARE RESOURCES INC. ANY REPRODUCTION IN PART OR AS A WHOLE WITHOUT THE WRITTEN PERMISSION OF HARDWARE RESOURCES INC. IS PROHIBITED.</p>	PROJECTION:		DATE:	
	DO NOT SCALE DRAWING	UNIT:	DRAWN BY: <i>alan. luo</i>	DATE:
		SIZE:	CHECKED BY:	DATE:
		PAGE 17	APPROVED BY:	DATE:



	ITEM#: SHELF-BOARD-FRONT-MID		MATERIAL:		
	FINISH:		WEIGHT: 9		
PROPRIETARY AND CONFIDENTIAL THE INFORMATION CONTAINED IN THIS DRAWING IS THE SOLE PROPERTY OF HARDWARE RESOURCES INC. ANY REPRODUCTION IN PART OR AS A WHOLE WITHOUT THE WRITTEN PERMISSION OF HARDWARE RESOURCES INC. IS PROHIBITED.	PROJECTION:		DATE:		
	UNIT:	DRAWN BY: <i>alan.lau</i>	DATE:		
	DO NOT SCALE DRAWING	SIZE:	CHECKED BY:	DATE:	
	PAGE 18	APPROVED BY:	DATE:		



	ITEM#: SHEFT-BOARD-FRONT-SIDE		MATERIAL:	
	FINISH:		WEIGHT: g	
PROPRIETARY AND CONFIDENTIAL THE INFORMATION CONTAINED IN THIS DRAWING IS THE SOLE PROPERTY OF HARDWARE RESOURCES INC. ANY REPRODUCTION IN PART OR AS A WHOLE WITHOUT THE WRITTEN PERMISSION OF HARDWARE RESOURCES INC. IS PROHIBITED.	PROJECTION:			
	UNIT:	DRAWN BY:	DATE:	
	SIZE:	CHECKED BY:	DATE:	
	APPROVED BY:		DATE:	
DO NOT SCALE DRAWING	PAGE 19			



	ITEM#: SHELF-BOARD-BACK		MATERIAL:	
	FINISH:		WEIGHT: g	
<p>PROPRIETARY AND CONFIDENTIAL</p> <p>THE INFORMATION CONTAINED IN THIS DRAWING IS THE SOLE PROPERTY OF HARDWARE RESOURCES INC. ANY REPRODUCTION IN PART OR AS A WHOLE WITHOUT THE WRITTEN PERMISSION OF HARDWARE RESOURCES INC. IS PROHIBITED.</p>	PROJECTION:			
	UNIT:	DRAWN BY: <i>alan.lau</i>	DATE:	
	SIZE:	CHECKED BY:	DATE:	
DO NOT SCALE DRAWING	APPROVED BY:		DATE:	
PAGE 20				