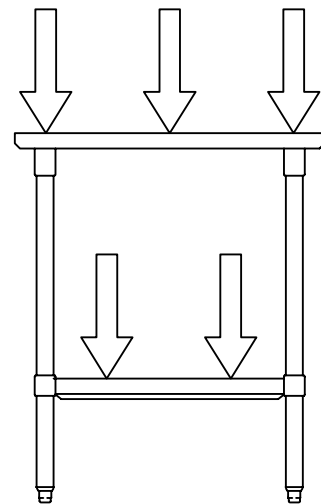
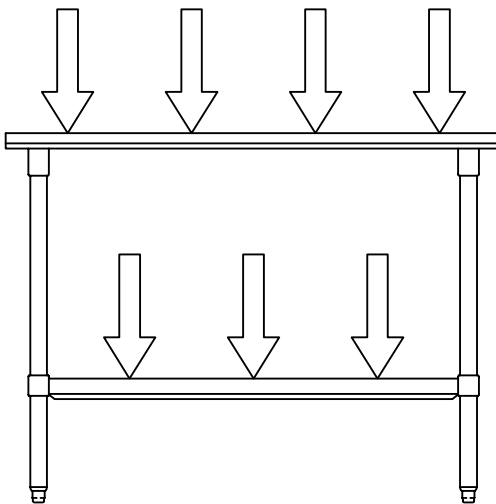
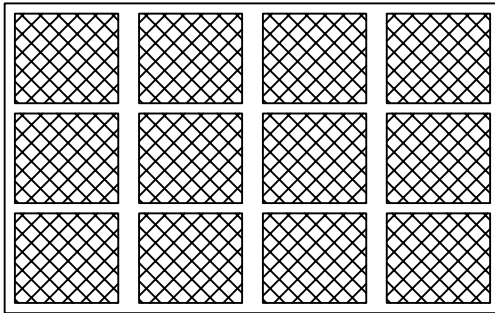




LOAD RATINGS

ALL LOAD RATINGS ARE CALCULATED TO BE EVENLY DISTRIBUTED LOADS.



WOOD TABLES - KD BASE				
JNS, JNB, HNS, HNB, SNS, SNB, TNS, TNB, DNS, DNB, DSS, DSB				
WOOD TABLE w/ SHELF - KD BASE				
WIDTH	LENGTH	WEIGHT CAPACITY (lbs.)		
		TOP	SHELF	TOTAL MAX
24, 30, 36	24	900	400	900
	36	900	400	900
	48	900	300	900
	60	900	150	900
	72	900	100	900
	84	1350	600	1350
	96	1350	600	1350
	108	1350	400	1350
	120	1350	300	1350
	132	1350	240	1350
	144	1350	200	1350

***ALL WEIGHT CAPACITIES ARE BASED ON EVENLY DISTRIBUTED LOADS WITH A MAX DEFLECTION OF 1/4"**