



ITEM #: \_\_\_\_\_ QTY: \_\_\_\_\_  
 MODEL #: \_\_\_\_\_  
 PROJECT NAME: \_\_\_\_\_

030218

**∴kitchensource.com**  
 ☎ 1.800.667.8721

**"WAL-CUCKNB" CUCINA CLASSICO IN WALNUT**

**FEATURES:**

- WALNUT EDGE GRAIN BLENDED TOP WITH VARNIQUE FINISH
- STAINLESS STEEL LEGS AND CENTER BRACING
- OPTIONS: SET OF 4 - 5" LOCKING CASTERS: CAS01-R

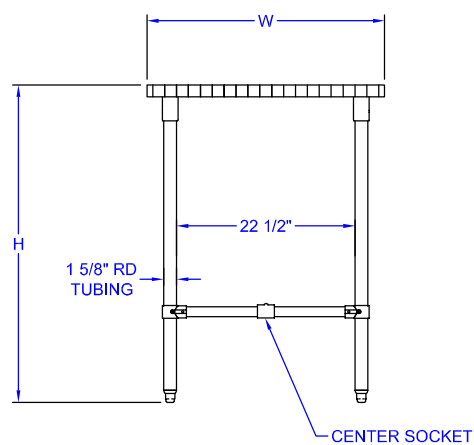
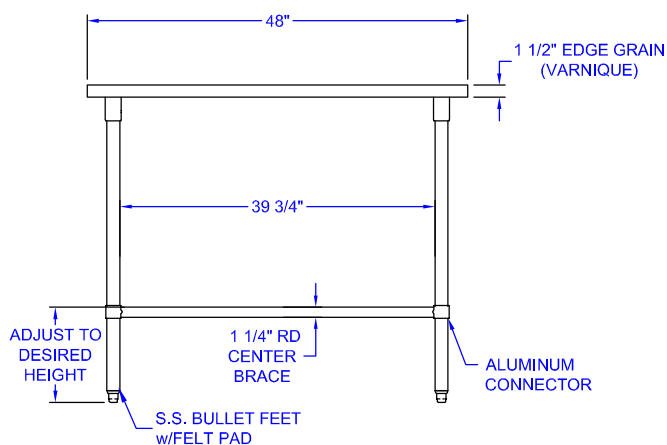
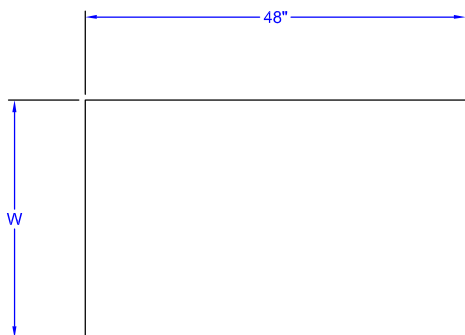


CAS01-R

**CUCINA CLASSICO IN WALNUT**

MODEL #	QTY
WAL-CUCKNB424	
WAL-CUCKNB424-40	
WAL-CUCKNB430	
WAL-CUCKNB430-40	

## DETAILED SPECIFICATIONS



### CUCINA CLASSICO IN WALNUT

MODEL #	SIZE	HEIGHT	WEIGHT (LBS)
WAL-CUCKNB424	48" X 24" X 1-1/2"	36"	60
WAL-CUCKNB424-40	48" X 24" X 1-1/2"	40"	65
WAL-CUCKNB430	48" X 30" X 1-1/2"	36"	65
WAL-CUCKNB430-40	48" X 30" X 1-1/2"	40"	70

SOME UNITS SHIP UNASSEMBLED FOR REDUCED SHIPPING COST. ALL DIMENSIONS ARE TYPICAL. TOLERANCE +/- .500"  
 John Boos & Co. is constantly engaged in a program of improving products and therefore reserves the right to change specifications without prior notice.



3601 S. Banker St. • Effingham, IL 62401 • PO BOX 609 • quotes@johnboos.com

030218



[www.johnboos.com](http://www.johnboos.com)

223