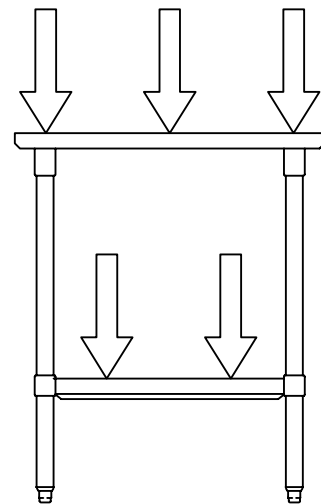
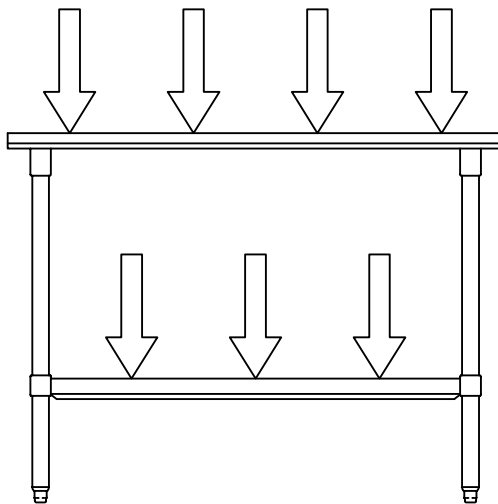
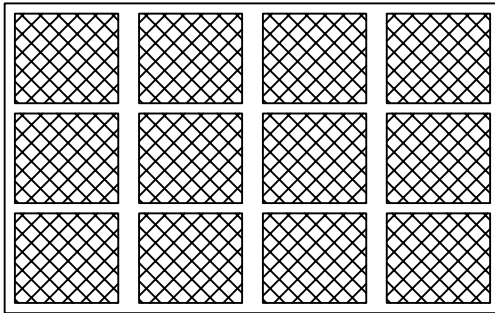




LOAD RATINGS

ALL LOAD RATINGS ARE CALCULATED TO BE EVENLY DISTRIBUTED LOADS.



ST TABLES - KD BASE				
14GA TOP - KD BASE				
WIDTH	LENGTH	WEIGHT CAPACITY (lbs.)		
		TOP	SHELF	TOTAL MAX
24, 30, 36	24	900	400	900
	36	900	400	900
	48	900	300	900
	60	650	150	-
	72	420	100	-
	84	1350	600	1350
	96	1350	600	1350
	108	1350	400	1350
	120	1200	300	1350
	132	960	240	-
	144	750	200	-
16GA TOP - KD BASE				
WIDTH	LENGTH	WEIGHT CAPACITY (lbs.)		
		TOP	SHELF	TOTAL MAX
24, 30, 36	24	900	400	900
	36	900	400	900
	48	900	300	900
	60	610	150	-
	72	400	100	-
	84	1350	600	1350
	96	1350	600	1350
	108	1350	400	1350
	120	1130	300	1350
	132	900	240	1116
	144	680	200	855
18GA TOP - KD BASE				
WIDTH	LENGTH	WEIGHT CAPACITY (lbs.)		
		TOP	SHELF	TOTAL MAX
18,24, 30	24	540	400	540
	36	540	400	540
	48	540	300	540
	60	540	150	540
	72	380	100	-
	84	810	600	810
	96	810	600	810

***ALL WEIGHT CAPACITIES ARE BASED ON EVENLY DISTRIBUTED LOADS WITH A MAX DEFLECTION OF 1/4"**

ST TABLES - WELDED BASE				
14GA TOP - WELDED BASE				
WIDTH	LENGTH	WEIGHT CAPACITY (lbs.)		
		TOP	SHELF	TOTAL MAX
24, 30, 36	24	1000	1000	1000
	36	1000	750	1000
	48	1000	300	1000
	60	720	150	-
	72	470	100	-
	84	1500	900	1500
	96	1500	600	1500
	108	1500	400	1500
	120	1330	300	1500
	132	1060	240	-
	144	830	200	-
16GA TOP - WELDED BASE				
WIDTH	LENGTH	WEIGHT CAPACITY (lbs.)		
		TOP	SHELF	TOTAL MAX
24, 30, 36	24	1000	1000	1000
	36	1000	750	1000
	48	1000	300	1000
	60	680	150	-
	72	440	100	-
	84	1500	900	1500
	96	1500	600	1500
	108	1500	400	1500
	120	1250	300	1500
	132	1000	240	-
	144	750	200	-

***ALL WEIGHT CAPACITIES ARE BASED ON EVENLY DISTRIBUTED LOADS WITH A MAX DEFLECTION OF 1/4"**