



# BOOS BlockS

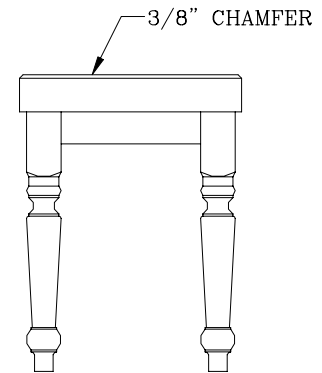
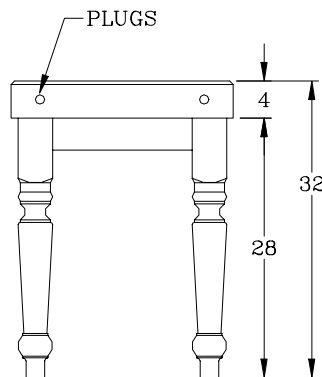
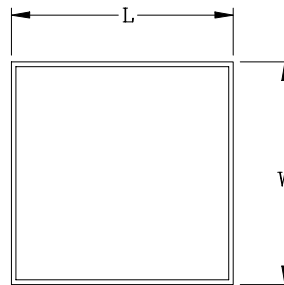
315 Sol 62401  
Phone: 217-347-7701 - Fax: 217-347-7705



**FEATURES:**

- \* Solid Hard Rock Maple
- \* 4" Thick End Grain Work Surface
- \* Varnique Finish
- \* Stand 32" O.A.H.
- \* Options: Casters (CAS03)
- \* Shipped knocked-down, easy - to - assemble
- \* UPSable

Model	Size	Wt
SARB1	24"x24"	105
SARB2	30"X24"	120



**MATERIAL:**

Top: End Grain Hard Rock Maple  
Legs: Hard Rock Maple