



ITEM #: \_\_\_\_\_ QTY: \_\_\_\_\_  
 MODEL #: \_\_\_\_\_  
 PROJECT NAME: \_\_\_\_\_

042018

**kitchensource.com**  
 1.800.667.8721

## "RN-LR" LE RUSTICA

### FEATURES:

- CHERRY END GRAIN TOP, STANDARD BOOS BLOCK CREAM FINISH WITH BEESWAX
- BLACK PAINTED BASE
- AVAILABLE WITH A CHERRY SLATTED LOWER SHELF (USE SUFFIX -SSL)
- 48" LENGTH STANDARD WITH 2 DOVETAILED DRAWERS
- 30" LENGTH STANDARD WITH 1 DOVETAILED DRAWER
- SHIPPED KNOCKED DOWN, 2 CARTONS



RN-LR05

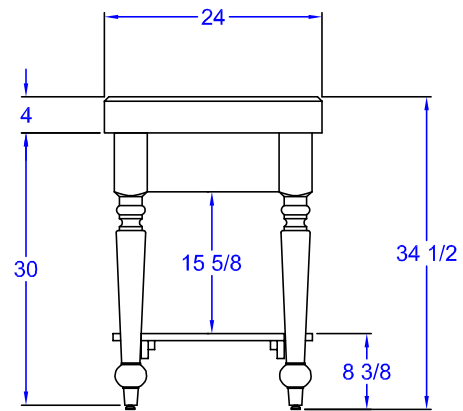
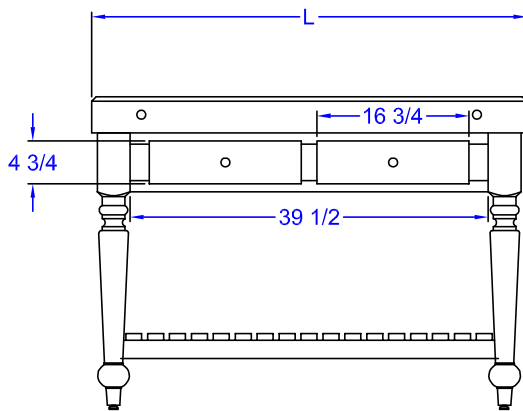
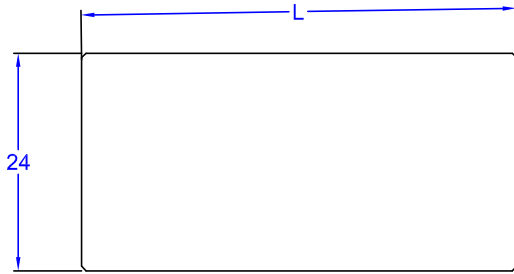


RN-LR05-SSL

### *LE RUSTICA*

MODEL #	QTY
RN-LR04	
RN-LR05	
RN-LR04-SSL	
RN-LR05-SSL	

## DETAILED SPECIFICATIONS



### *LE RUSTICA*

MODEL #	SIZE	HEIGHT	WEIGHT (LBS)
RN-LR04	30" X 24" X 4"	34-1/2"	132
RN-LR05	48" X 24" X 4"	34-1/2"	212
RN-LR04-SSL	30" X 24" X 4"	34-1/2"	190
RN-LR05-SSL	48" X 24" X 4"	34-1/2"	237

SOME UNITS SHIP UNASSEMBLED FOR REDUCED SHIPPING COST. ALL DIMENSIONS ARE TYPICAL. TOLERANCE +/- .500"  
 John Boos & Co. is constantly engaged in a program of improving products and therefore reserves the right to change specifications without prior notice.

