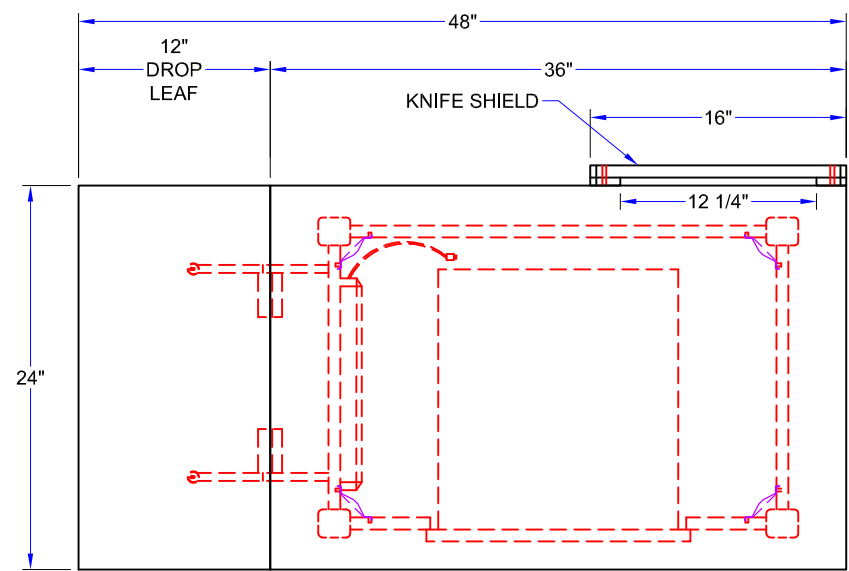
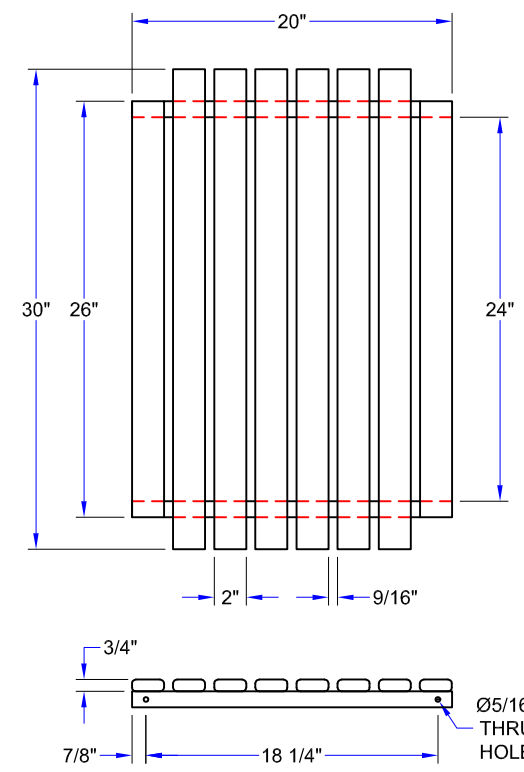


NOTES:

LOOSE HARDWARE:		
QTY	MODEL #	DESCRIPTION
-		

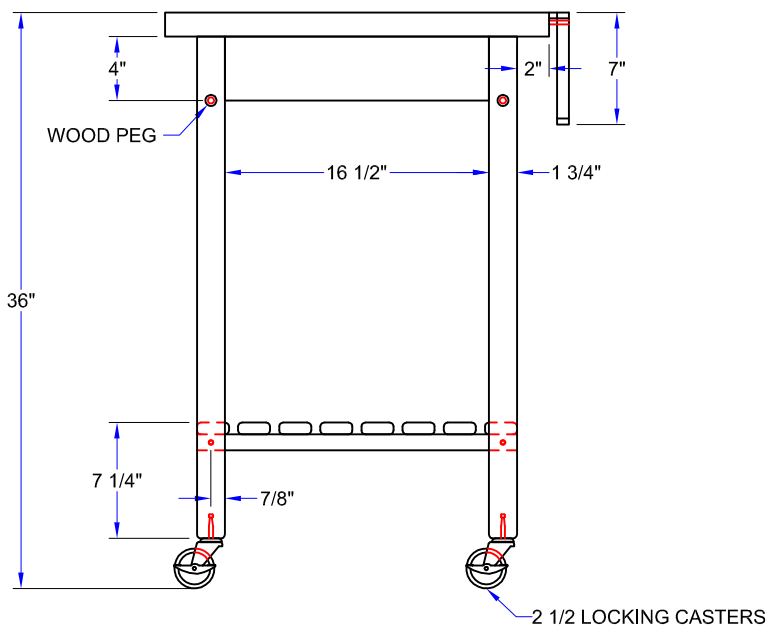
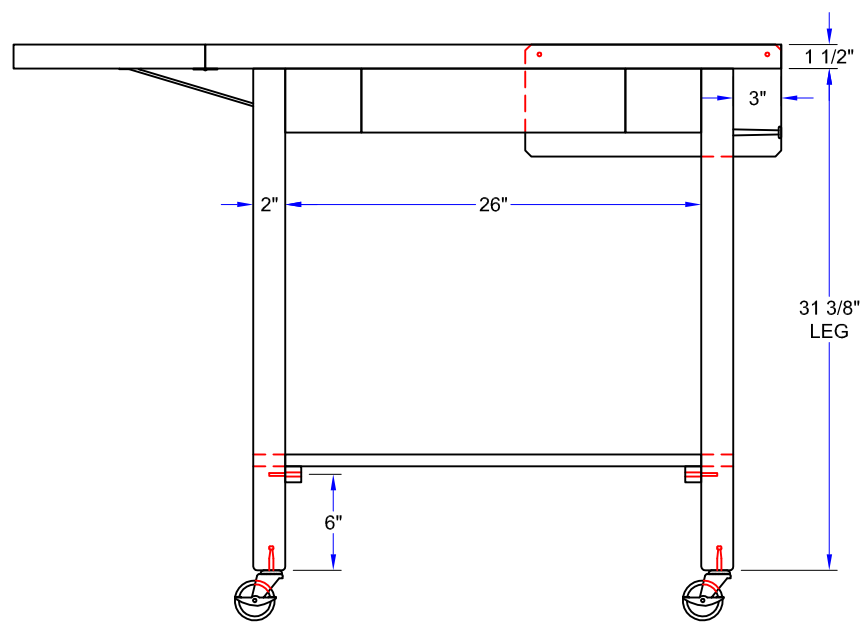
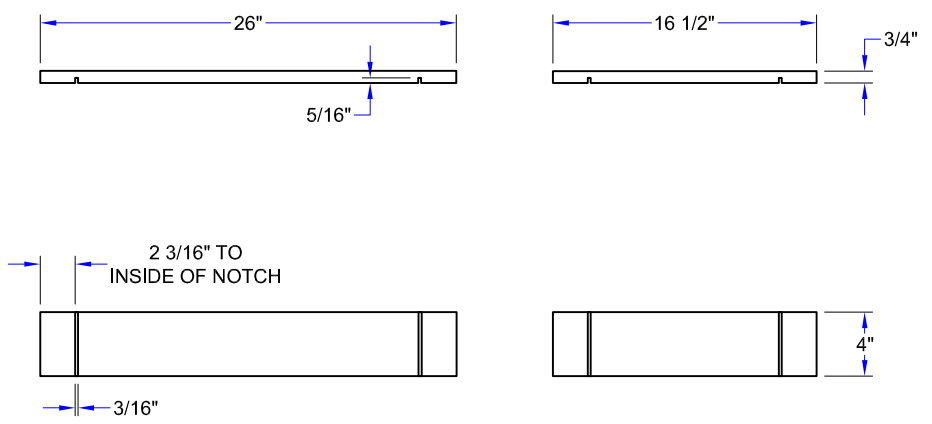


SHELF DETAIL



12" BRACKET DETAIL

APRON DETAIL



MFG. INITIALS:			
LAYOUT:			
BREAK:			
WELDER:			
POLISHER:			
CRATING:			
REV: BY:	BLH	DATE:	08-30-16
DESCRIPTION: UPDATED DRAWING FROM ORIGINAL DRAWN DATE OF 02-18-1999			
REVISION HISTORY:			

APPROVED AS NOTED
REVISE & RESUBMIT

APPROVED BY _____

DATE _____

John BOOS Since 1887

NSF SANITATION

UL US

THIS DRAWING AND THE DESIGN SHOWN ARE THE PROPERTY OF JOHN BOOS & CO. REPRODUCTION, INFRINGEMENT OR ANY OTHER UNAUTHORIZED USE OF THIS DRAWING WITHOUT THE WRITTEN CONSENT OF JOHN BOOS & CO. WILL BE SUBJECT TO LEGAL ACTION.

QUOTE NUMBER:	JOHN BOOS CO			
DATE:	08/30/2016			
SCALE:	SHEET NUMBER:	QUANTITY:	DECK MATERIAL:	BASE MATERIAL:
1"=1'			HARD MAPLE	HARD MAPLE
DRAWN BY:	QUAD LOCATION:	ITEM NUMBER:	MODEL NUMBER:	
BH			QCL	
REQUESTED BY:	ROOM NUMBER:	WEIGHT:	SALES ORDER NUMBER:	