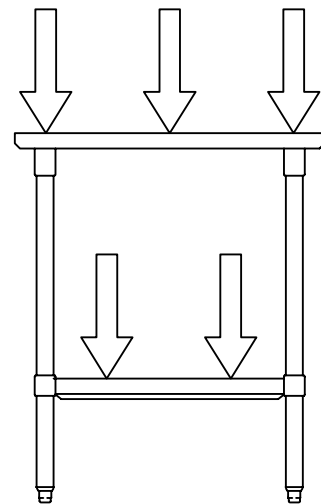
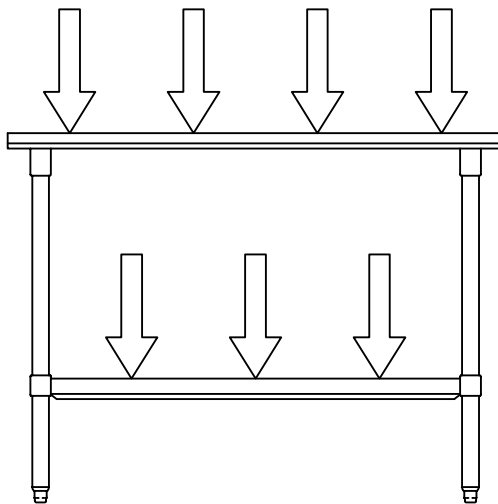
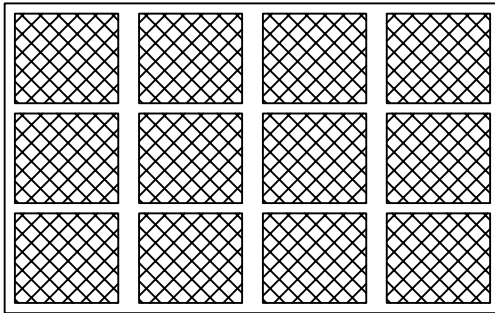




LOAD RATINGS

ALL LOAD RATINGS ARE CALCULATED TO BE EVENLY DISTRIBUTED LOADS.



MODULAR CABINETS				
14GA TOP - WELDED BASE				
WIDTH	LENGTH	WEIGHT CAPACITY (lbs.)		
		TOP	SHELF	TOTAL MAX
24, 30, 36	24	1000	1000	1000
	36	1000	750	1000
	48	1000	300	1000
	60	940	150	1000
	72	600	100	-
	84	1500	900	1500
	96	1500	600	1500
	108	1500	400	1500
	120	1500	300	1500
	132	1460	240	1500
	144	1100	200	-
16GA TOP - WELDED BASE				
WIDTH	LENGTH	WEIGHT CAPACITY (lbs.)		
		TOP	SHELF	TOTAL MAX
24, 30, 36	24	1000	1000	1000
	36	1000	750	1000
	48	1000	300	1000
	60	900	150	1000
	72	570	100	-
	84	1500	900	1500
	96	1500	600	1500
	108	1500	400	1500
	120	1500	300	1500
	132	1400	240	1500
	144	1020	200	-

***ALL WEIGHT CAPACITIES ARE BASED ON EVENLY DISTRIBUTED LOADS WITH A MAX DEFLECTION OF 1/4"**