



**John
BOOS**
Since 1887

ITEM #: _____ QTY: _____
 MODEL #: _____
 PROJECT NAME: _____

052118

"CU-CULART" CUCINA CULINARTE

FEATURES:

- AVAILABLE WITH NORTHERN HARD ROCK MAPLE, AMERICAN CHERRY OR AMERICAN BLACK WALNUT EDGE GRAIN REMOVABLE CUTTING BOARD TOP
- STANDARD BOOS BLOCK CREAM FINISH WITH BEESWAX
- FOOD SERVICE GRADE LOCKING CASTERS
- OPTIONAL GALLEY RAILS: (GRK10-8), SET OF 8 (HARDWARE INCLUDED)
- SHIPPED KNOCKED DOWN, 1 CARTON, FEDEX AND UPSABLE



WAL-CU-CULART30



MPL-CU-CULART30



CHY-CU-CULART30

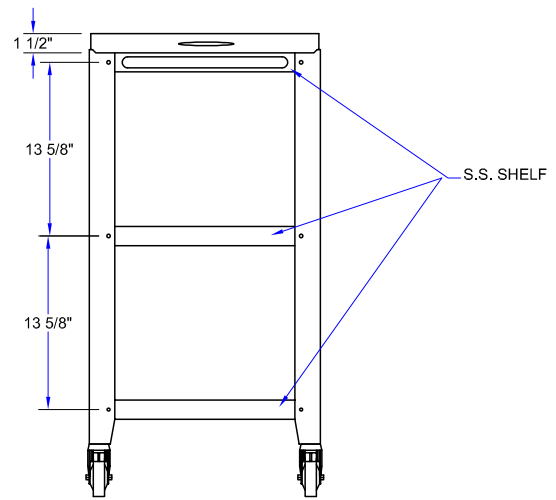
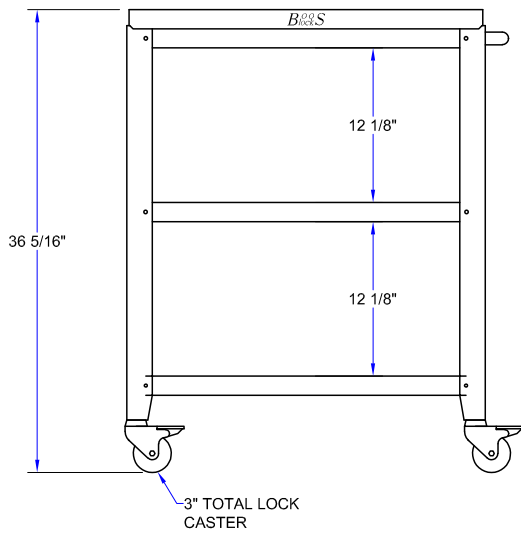
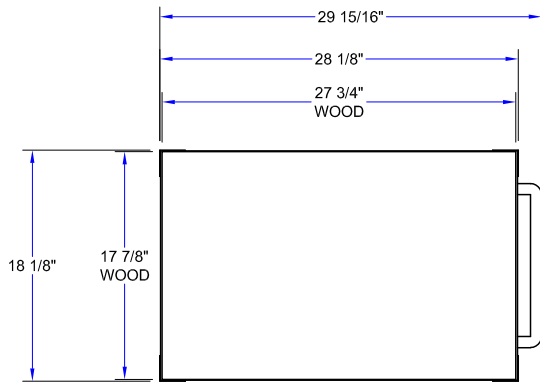


GRK10-8

CICINA CULINARTE'

MODEL #	QTY
CU-CULART30	
CHY-CU-CULART30	
WAL-CU-CULART30	

DETAILED SPECIFICATIONS



CICINA CULINARTE'

MODEL #	SIZE	TOP	HEIGHT	WEIGHT (LBS)
CU-CULART30	30" X 18-1/8" X 1-1/2"	MAPLE	36 5/16"	72
CHY-CU-CULART30	30" X 18-1/8" X 1-1/2"	CHERRY	36 5/16"	73
WAL-CU-CULART30	30" X 18-1/8" X 1-1/2"	WALNUT	36 5/16"	71

SOME UNITS SHIP UNASSEMBLED FOR REDUCED SHIPPING COST. ALL DIMENSIONS ARE TYPICAL. TOLERANCE +/- .500"
 John Boos & Co. is constantly engaged in a program of improving products and therefore reserves the right to change specifications without prior notice.

