

# TABLE MODEL NUMBERS

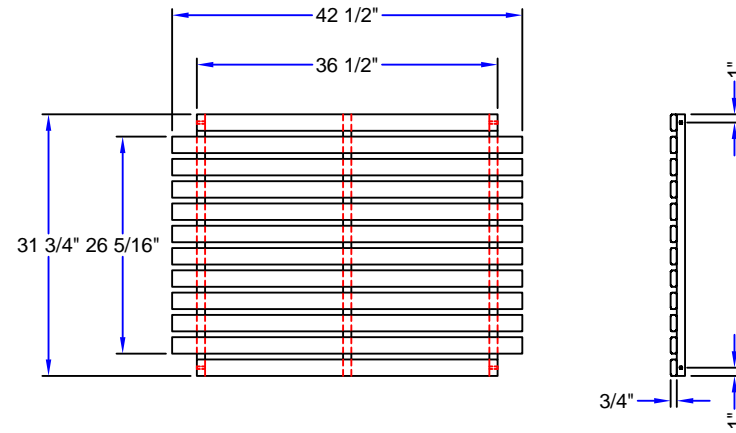
TOP SIZE L x W	OPEN BASE	1 SHELF	2 SHELVES	OPEN BASE 1 DRAWER	1 SHELF 1 DRAWER
48 x 36	C4836-O	C4836-S	C4836-2S	C4836-O-D	C4836-D-S

\* THIS DRAWING IS SHOWN WITH MULTIPLE OPTIONS.

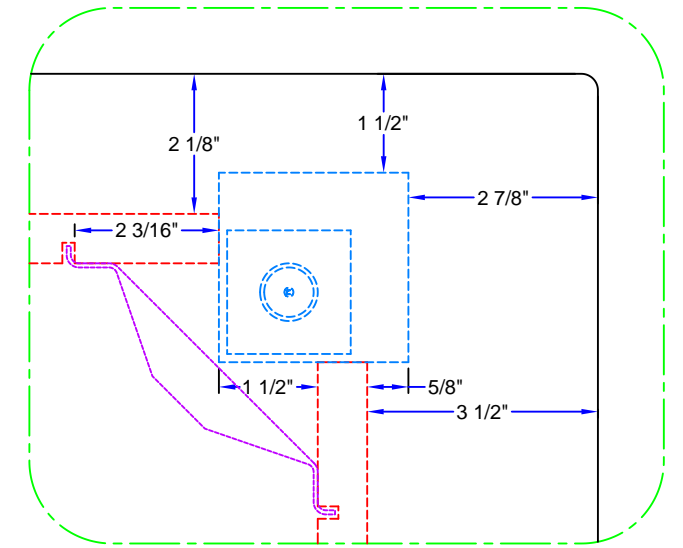


# NOTES:

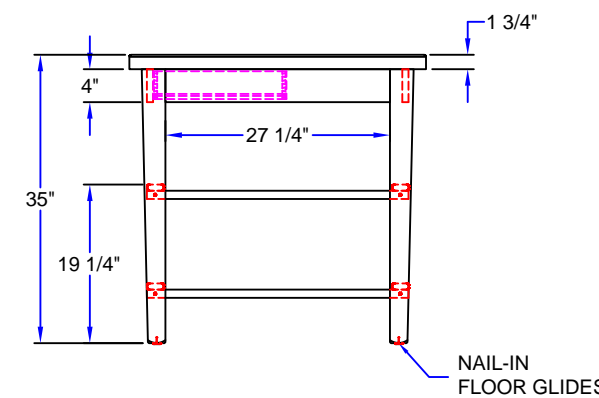
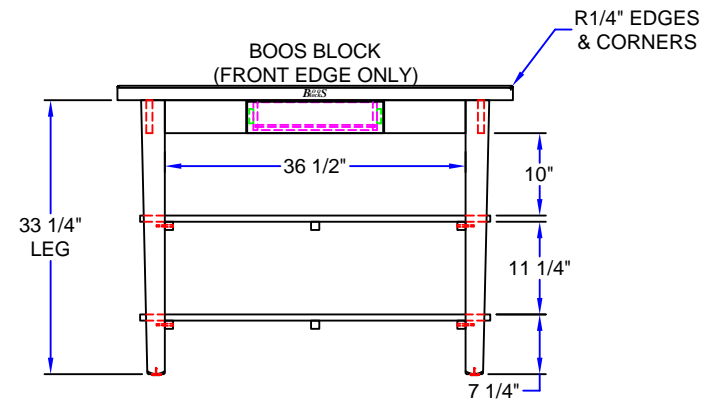
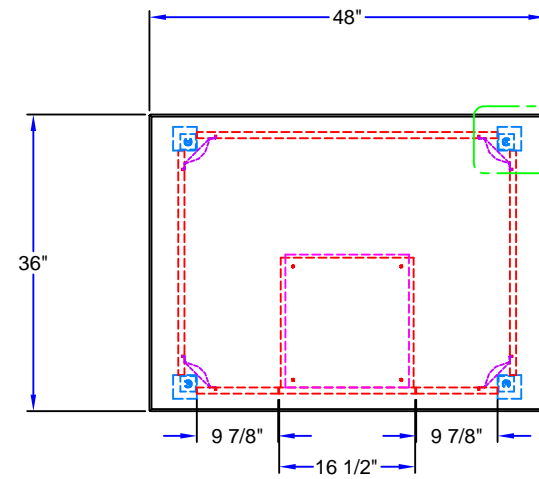
- 1-3/4" EDGE GRAIN TOP, 1/4" RADIUS EDGES & CORNERS, CREAM FINISH
- PAINTED BASE



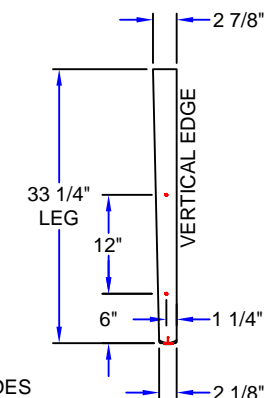
SHELF DETAIL



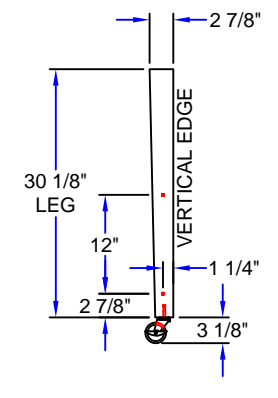
CORNER DETAIL



NAIL-IN FLOOR GLIDES



LEG DETAIL



OPTIONAL LEG WITH CASTER DETAIL

MFG. INITIALS:					
LAYOUT:					
BREAK:					
WELDER:					
POLISHER:					
CRATING:					
REV:	BY:	DATE:	DESCRIPTION:	REVISION HISTORY:	

APPROVED  
APPROVED AS NOTED  
REVISE & RESUBMIT

APPROVED BY \_\_\_\_\_  
DATE \_\_\_\_\_

THIS DRAWING AND THE DESIGN SHOWN ARE THE PROPERTY OF JOHN BOOS & CO. REPRODUCTION, INFRINGEMENT OR ANY OTHER UNAUTHORIZED USE OF THIS DRAWING WITHOUT THE WRITTEN CONSENT OF JOHN BOOS & CO. WILL BE SUBJECT TO LEGAL ACTION.

QUOTE NUMBER:	JOHN BOOS & COMPANY			
DATE: 4/09/18	CLASSIC COUNTRY WORK TABLE			
SCALE: 1/2"=1'	SHEET NUMBER:	QUANTITY:	DECK MATERIAL: HARD MAPLE	BASE MATERIAL: HARD MAPLE
DRAWN BY: TN	QUAD LOCATION:	ITEM NUMBER:	MODEL NUMBER: C4836	
REQUESTED BY:	ROOM NUMBER:	WEIGHT:	SALES ORDER NUMBER:	

**TABLE MODEL NUMBERS**

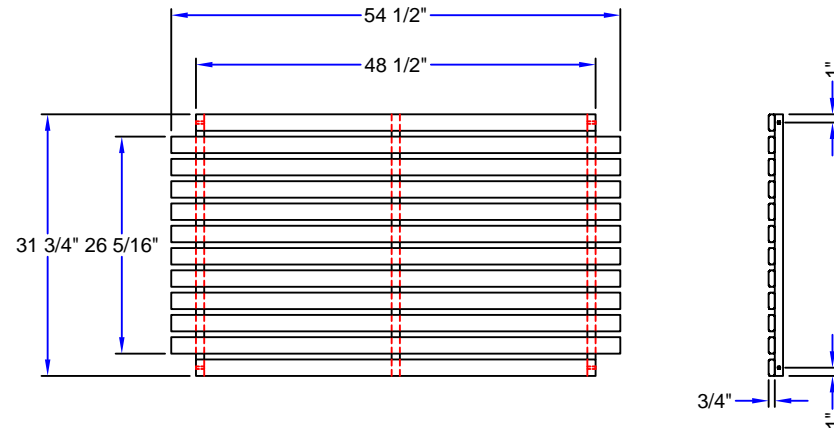
TOP SIZE L x W	OPEN BASE	1 SHELF	2 SHELVES	OPEN BASE 1 DRAWER	1 SHELF 1 DRAWER
60 x 36	C6036-O	C6036-S	C6036-2S	C6036-O-D	C6036-D-S

\* THIS DRAWING IS SHOWN WITH MULTIPLE OPTIONS.

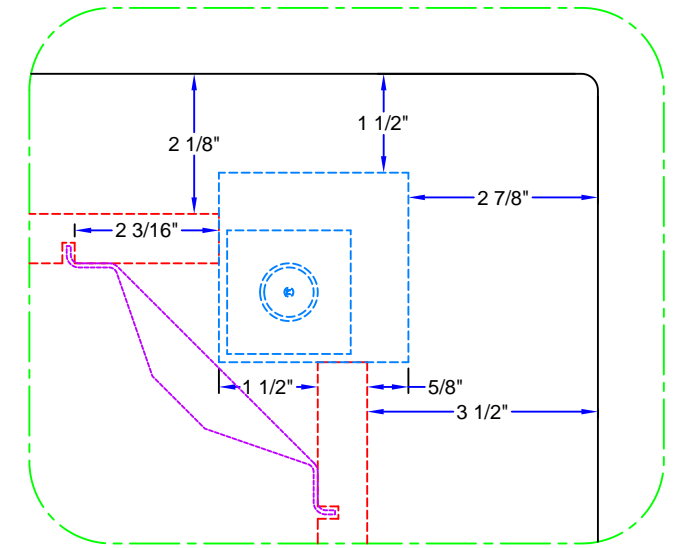


**NOTES:**

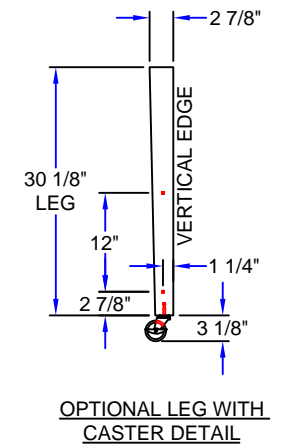
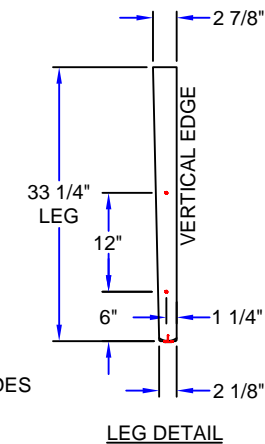
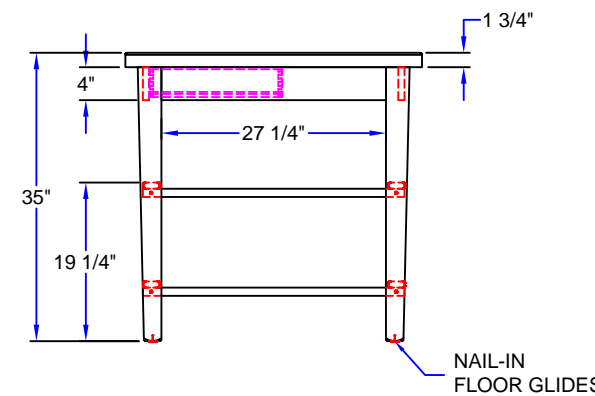
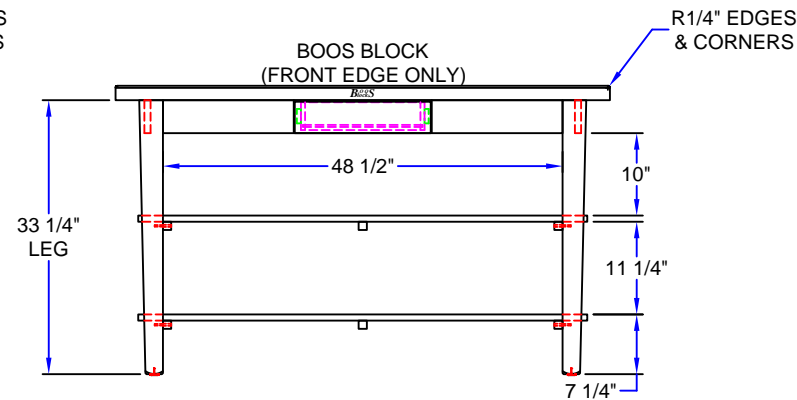
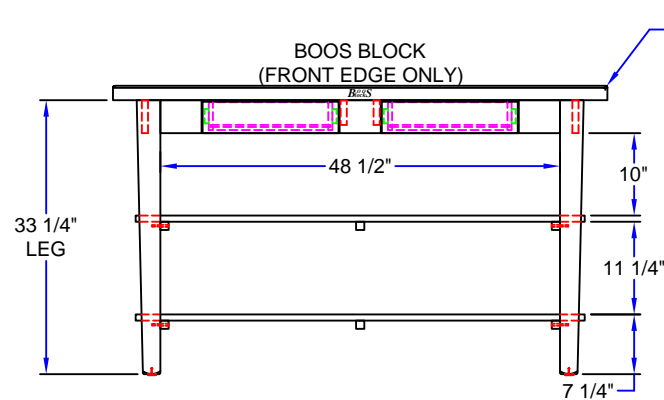
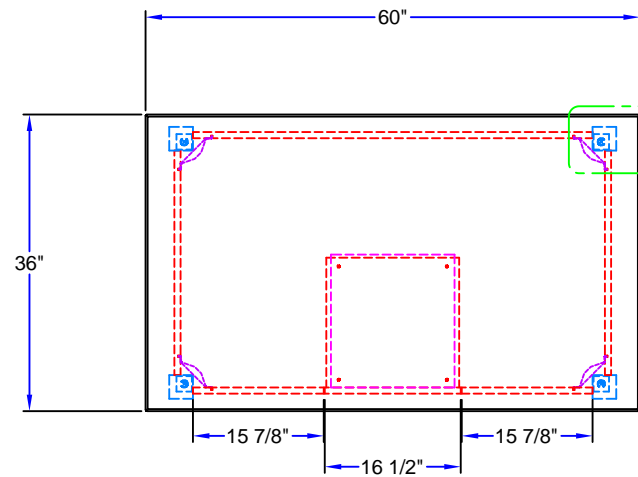
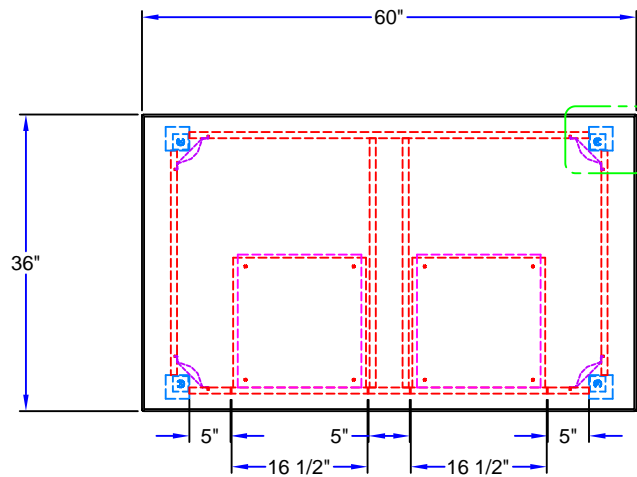
- 1-3/4" EDGE GRAIN TOP, 1/4" RADIUS EDGES & CORNERS, CREAM FINISH
- PAINTED BASE



SHELF DETAIL



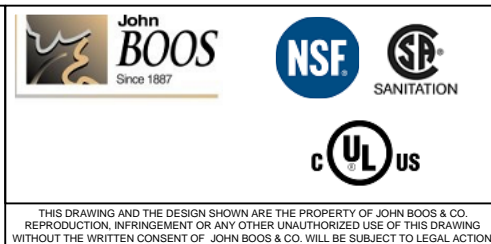
CORNER DETAIL



MFG. INITIALS:					
LAYOUT:					
BREAK:					
WELDER:					
POLISHER:					
CRATING:					
REV:	BY:	DATE:		DESCRIPTION:	
REVISION HISTORY:					

APPROVED  
APPROVED AS NOTED  
REVISE & RESUBMIT

APPROVED BY \_\_\_\_\_  
DATE \_\_\_\_\_



QUOTE NUMBER:	JOHN BOOS & COMPANY			
DATE: 4/09/18	CLASSIC COUNTRY WORK TABLE			
SCALE: 1/2"=1'	SHEET NUMBER:	QUANTITY:	DECK MATERIAL: HARD MAPLE	BASE MATERIAL: HARD MAPLE
DRAWN BY: TN	QUAD LOCATION:	ITEM NUMBER:	MODEL NUMBER: C6036	
REQUESTED BY:	ROOM NUMBER:	WEIGHT:	SALES ORDER NUMBER:	

THIS DRAWING AND THE DESIGN SHOWN ARE THE PROPERTY OF JOHN BOOS & CO. REPRODUCTION, INFRINGEMENT OR ANY OTHER UNAUTHORIZED USE OF THIS DRAWING WITHOUT THE WRITTEN CONSENT OF JOHN BOOS & CO. WILL BE SUBJECT TO LEGAL ACTION.