

TABLE MODEL NUMBERS

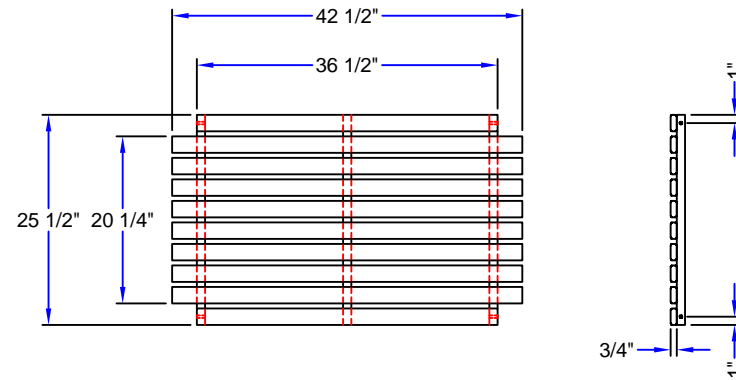
TOP SIZE L x W	OPEN BASE	1 SHELF	2 SHELVES	OPEN BASE 1 DRAWER	1 SHELF 1 DRAWER
48 x 30	C4830-O	C4830-S	C4830-2S	C4830-O-D	C4830-D-S

* THIS DRAWING IS SHOWN WITH MULTIPLE OPTIONS.

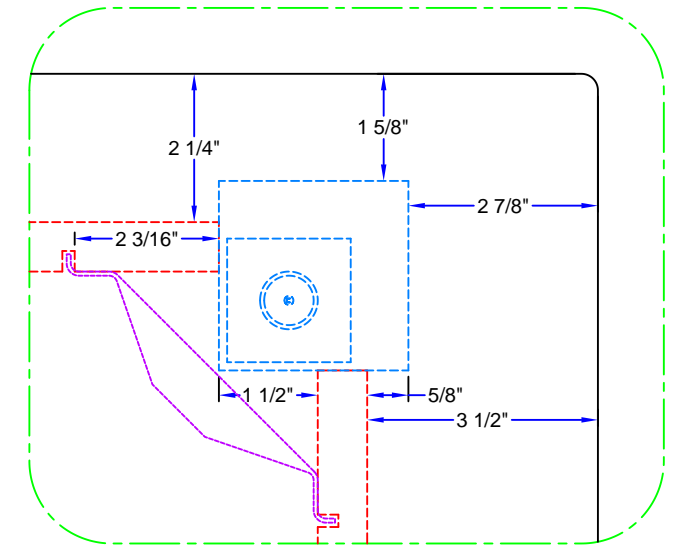


NOTES:

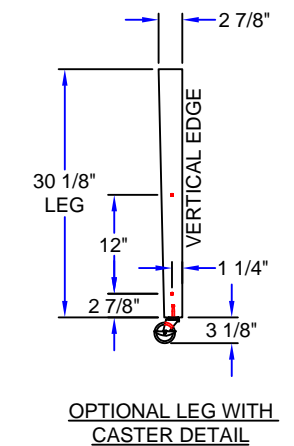
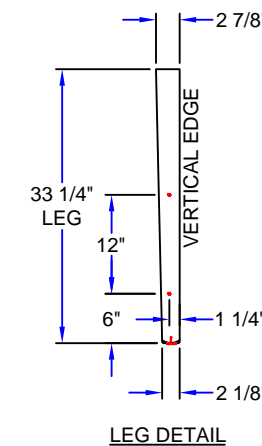
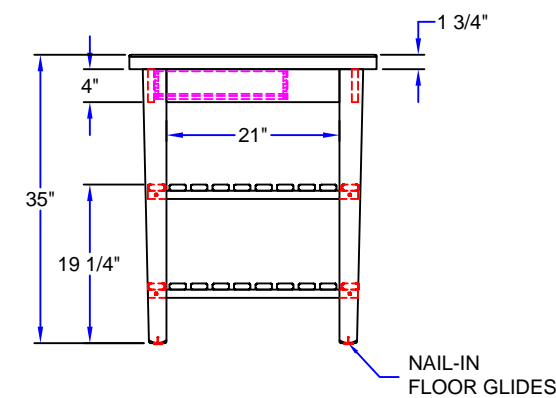
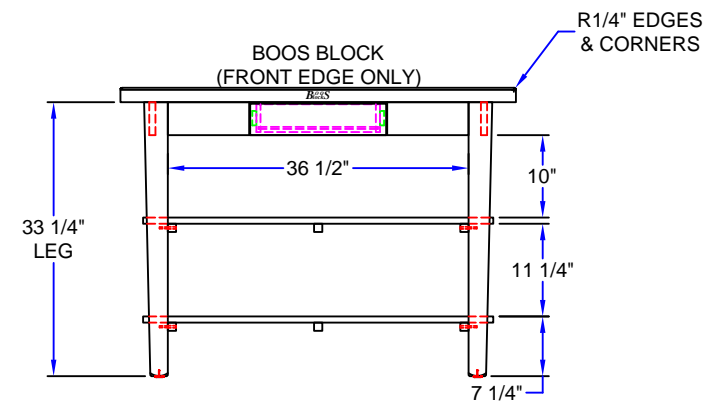
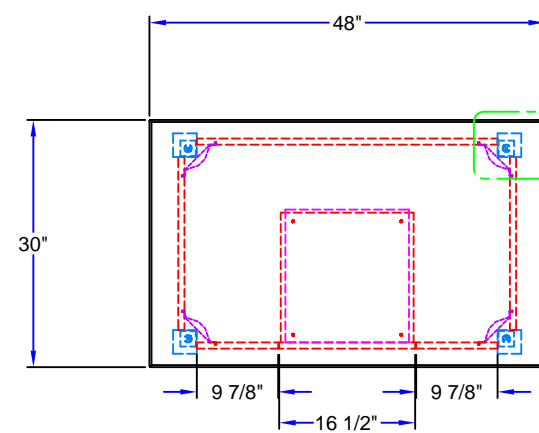
- 1-3/4" EDGE GRAIN TOP, 1/4" RADIUS EDGES & CORNERS, CREAM FINISH
- PAINTED BASE



SHELF DETAIL



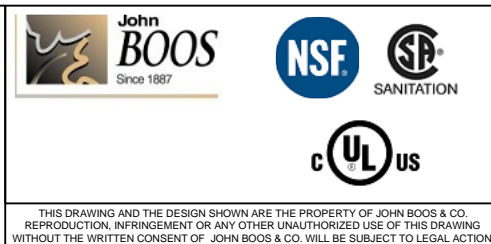
CORNER DETAIL



MFG. INITIALS:					
LAYOUT:					
BREAK:					
WELDER:					
POLISHER:					
CRATING:					
REV:	BY:	DATE:		DESCRIPTION:	
REVISION HISTORY:					

APPROVED
APPROVED AS NOTED
REVISE & RESUBMIT

APPROVED BY _____
DATE _____



QUOTE NUMBER:	JOHN BOOS & COMPANY			
DATE: 4/09/18	CLASSIC COUNTRY WORK TABLE			
SCALE: 1/2"=1'	SHEET NUMBER:	QUANTITY:	DECK MATERIAL: HARD MAPLE	BASE MATERIAL: HARD MAPLE
DRAWN BY: TN	QUAD LOCATION:	ITEM NUMBER:	MODEL NUMBER: C4830	
REQUESTED BY:	ROOM NUMBER:	WEIGHT:	SALES ORDER NUMBER:	

THIS DRAWING AND THE DESIGN SHOWN ARE THE PROPERTY OF JOHN BOOS & CO. REPRODUCTION, INFRINGEMENT OR ANY OTHER UNAUTHORIZED USE OF THIS DRAWING WITHOUT THE WRITTEN CONSENT OF JOHN BOOS & CO. WILL BE SUBJECT TO LEGAL ACTION.

TABLE MODEL NUMBERS

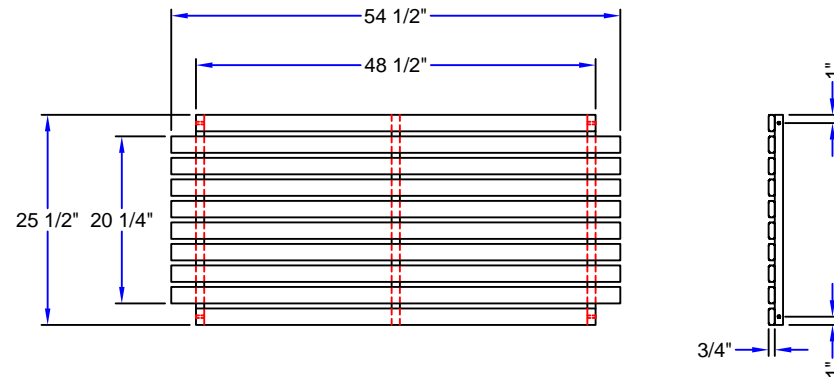
TOP SIZE L x W	OPEN BASE	1 SHELF	2 SHELVES	OPEN BASE 1 DRAWER	1 SHELF 1 DRAWER
60 x 30	C6030-O	C6030-S	C6030-2S	C6030-O-D	C6030-D-S

* THIS DRAWING IS SHOWN WITH MULTIPLE OPTIONS.

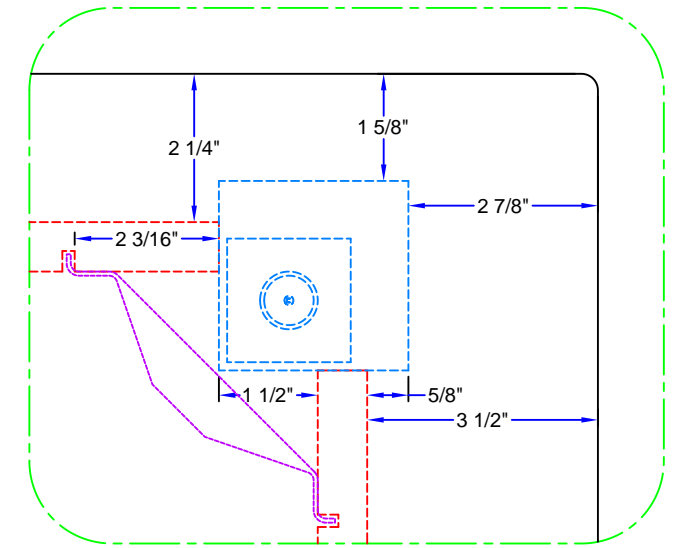


NOTES:

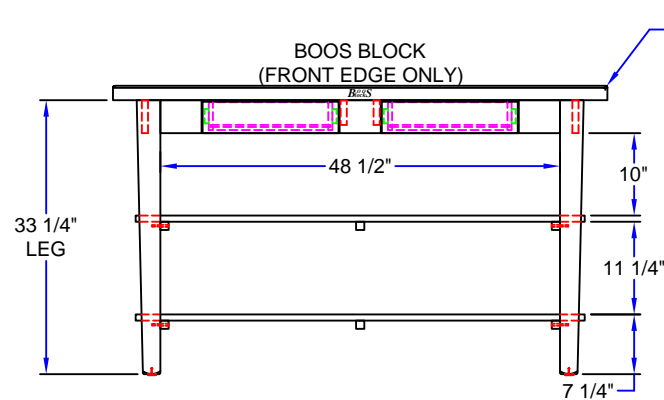
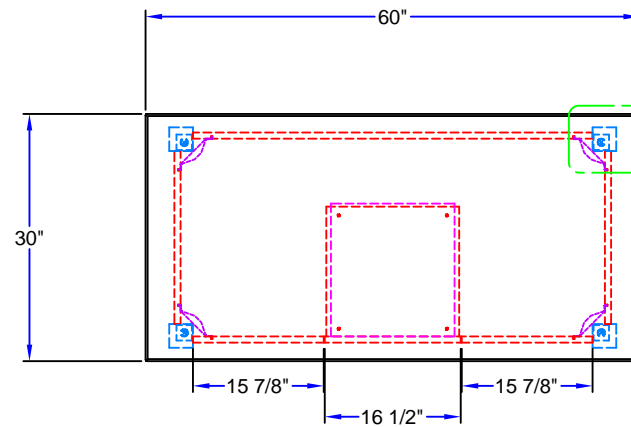
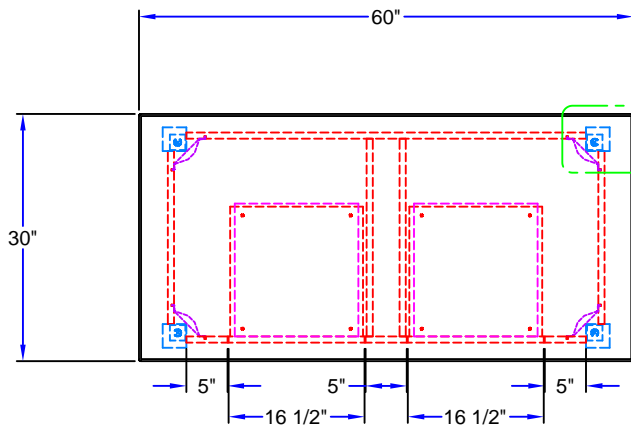
- 1-3/4" EDGE GRAIN TOP, 1/4" RADIUS EDGES & CORNERS, CREAM FINISH
- PAINTED BASE



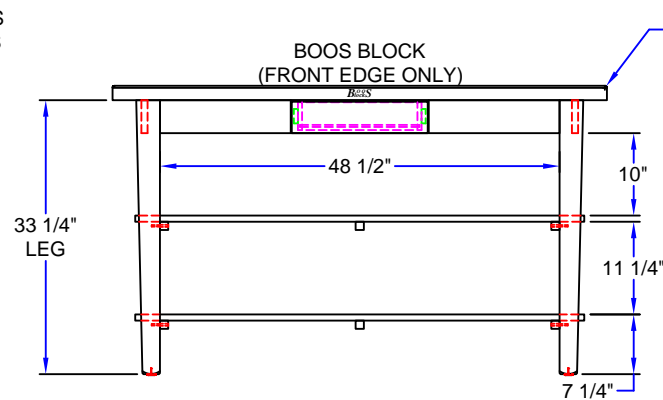
SHELF DETAIL



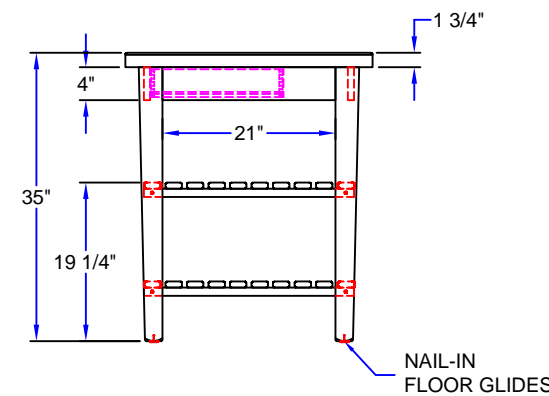
CORNER DETAIL



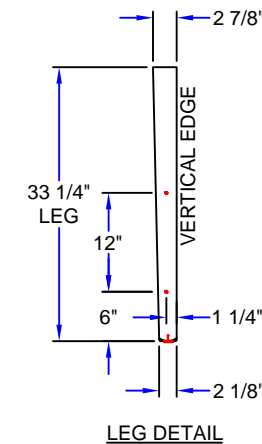
R1/4" EDGES & CORNERS



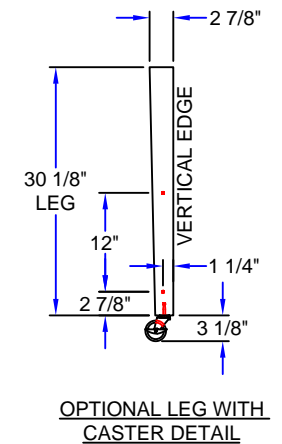
R1/4" EDGES & CORNERS



NAIL-IN FLOOR GLIDES



LEG DETAIL

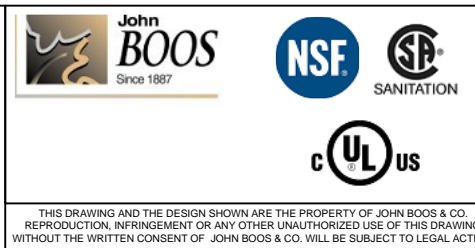


OPTIONAL LEG WITH CASTER DETAIL

MFG. INITIALS:					
LAYOUT:					
BREAK:					
WELDER:					
POLISHER:					
CRATING:					
REV:	BY:	DATE:	DESCRIPTION:	REVISION HISTORY:	

APPROVED
APPROVED AS NOTED
REVISE & RESUBMIT

APPROVED BY _____
DATE _____



QUOTE NUMBER:	JOHN BOOS & COMPANY			
DATE: 4/09/18	CLASSIC COUNTRY WORK TABLE			
SCALE: 1/2"=1'	SHEET NUMBER:	QUANTITY:	DECK MATERIAL: HARD MAPLE	BASE MATERIAL: HARD MAPLE
DRAWN BY: TN	QUAD LOCATION:	ITEM NUMBER:	MODEL NUMBER: C6030	
REQUESTED BY:	ROOM NUMBER:	WEIGHT:	SALES ORDER NUMBER:	

THIS DRAWING AND THE DESIGN SHOWN ARE THE PROPERTY OF JOHN BOOS & CO. REPRODUCTION, INFRINGEMENT OR ANY OTHER UNAUTHORIZED USE OF THIS DRAWING WITHOUT THE WRITTEN CONSENT OF JOHN BOOS & CO. WILL BE SUBJECT TO LEGAL ACTION.