

TABLE MODEL NUMBERS

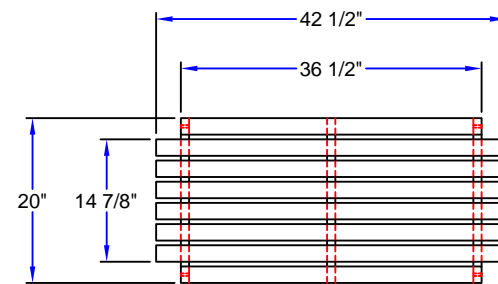
TOP SIZE L x W	OPEN BASE	1 SHELF	2 SHELVES	OPEN BASE 1 DRAWER	1 SHELF 1 DRAWER
48 x 24	C4824-O	C4824-S	C4824-2S	C4824-O-D	C4824-D-S

* THIS DRAWING IS SHOWN WITH MULTIPLE OPTIONS.

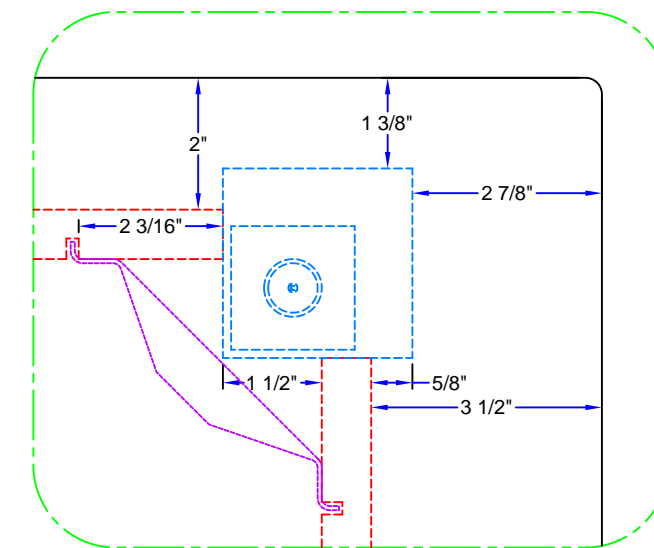
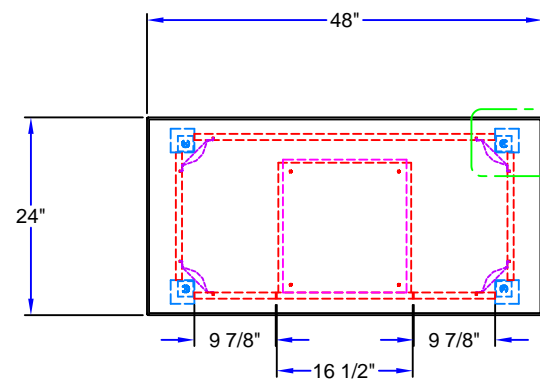
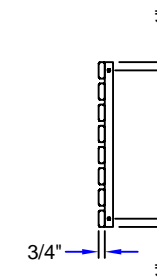


NOTES:

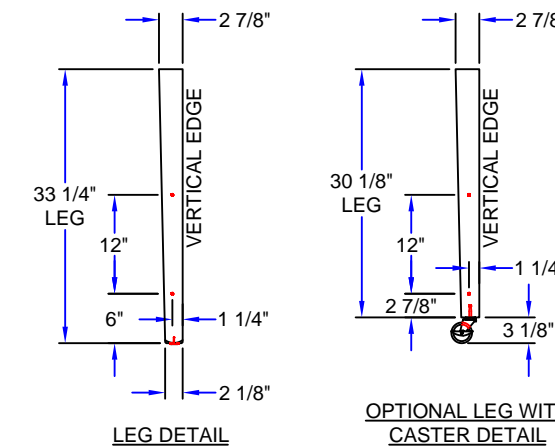
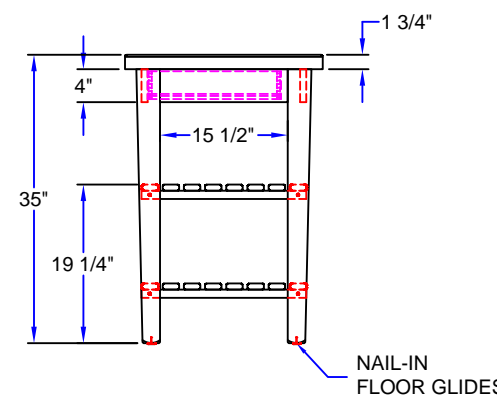
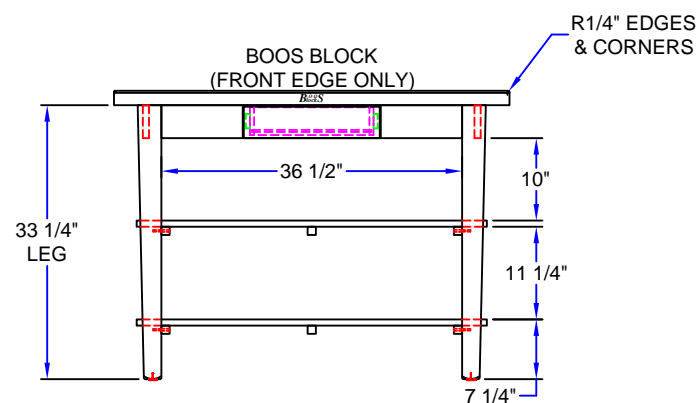
- 1-3/4" EDGE GRAIN TOP, 1/4" RADIUS EDGES & CORNERS, CREAM FINISH
- PAINTED BASE



SHELF DETAIL



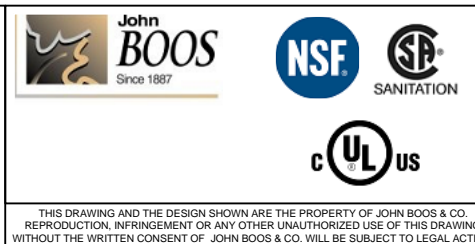
CORNER DETAIL



MFG. INITIALS:					
LAYOUT:					
BREAK:					
WELDER:					
POLISHER:					
CRATING:					
REV:	BY:	DATE:	DESCRIPTION:		
			REVISION HISTORY:		

APPROVED
APPROVED AS NOTED
REVISE & RESUBMIT

APPROVED BY _____
DATE _____



QUOTE NUMBER:	JOHN BOOS & COMPANY			
DATE: 4/09/18	CLASSIC COUNTRY WORK TABLE			
SCALE: 1/2"=1'	SHEET NUMBER:	QUANTITY:	DECK MATERIAL: HARD MAPLE	BASE MATERIAL: HARD MAPLE
DRAWN BY: TN	QUAD LOCATION:	ITEM NUMBER:	MODEL NUMBER: C4824	
REQUESTED BY:	ROOM NUMBER:	WEIGHT:	SALES ORDER NUMBER:	

THIS DRAWING AND THE DESIGN SHOWN ARE THE PROPERTY OF JOHN BOOS & CO. REPRODUCTION, INFRINGEMENT OR ANY OTHER UNAUTHORIZED USE OF THIS DRAWING WITHOUT THE WRITTEN CONSENT OF JOHN BOOS & CO. WILL BE SUBJECT TO LEGAL ACTION.

TABLE MODEL NUMBERS

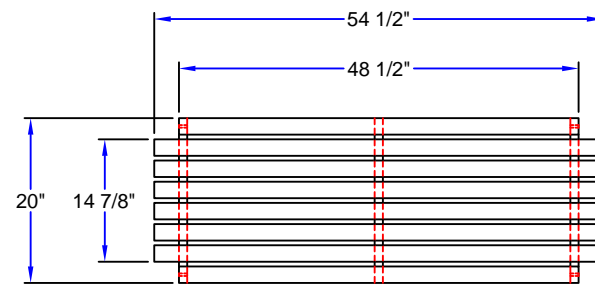
TOP SIZE L x W	OPEN BASE	1 SHELF	2 SHELVES	OPEN BASE 1 DRAWER	1 SHELF 1 DRAWER
60 x 24	C6024-O	C6024-S	C6024-2S	C6024-O-D	C6024-D-S

* THIS DRAWING IS SHOWN WITH MULTIPLE OPTIONS.

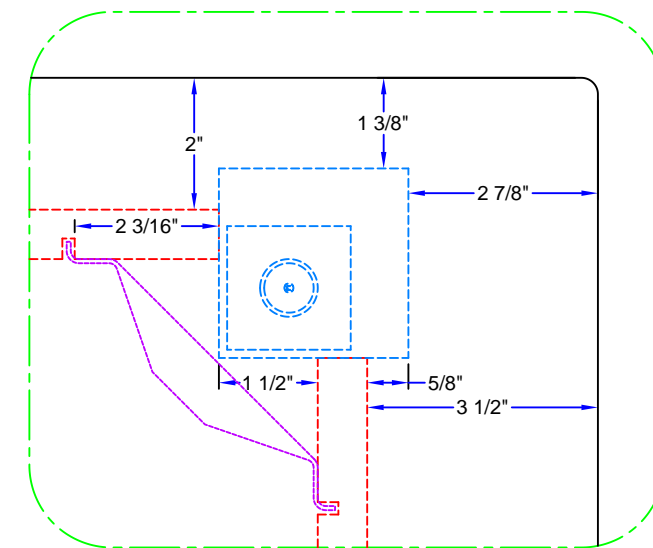
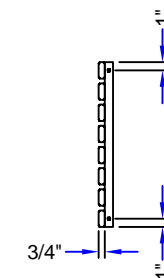


NOTES:

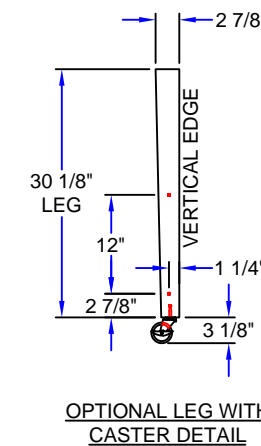
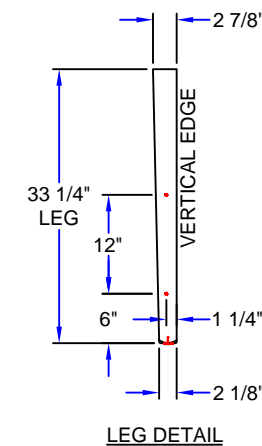
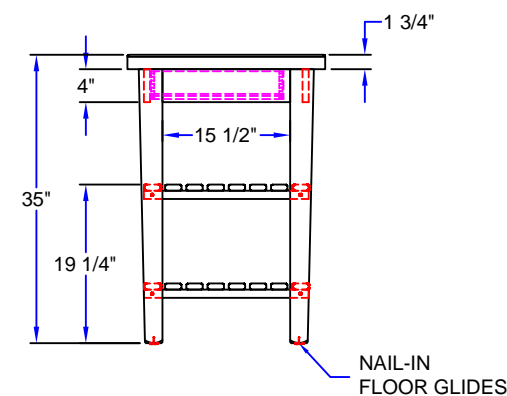
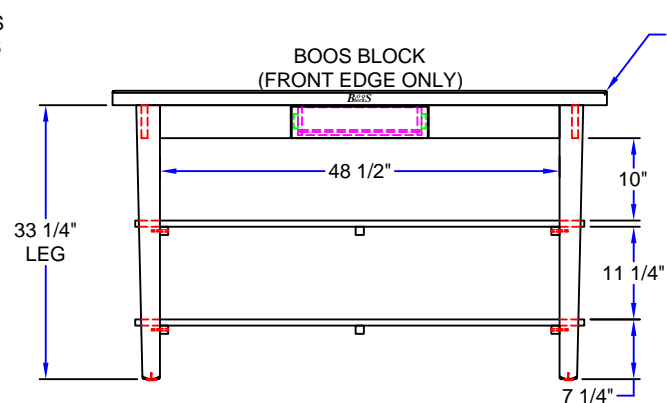
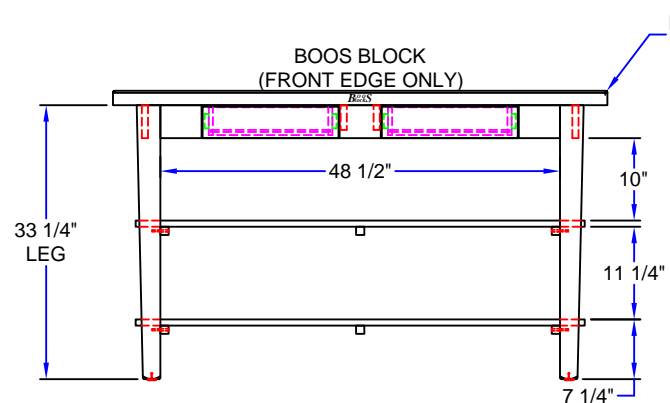
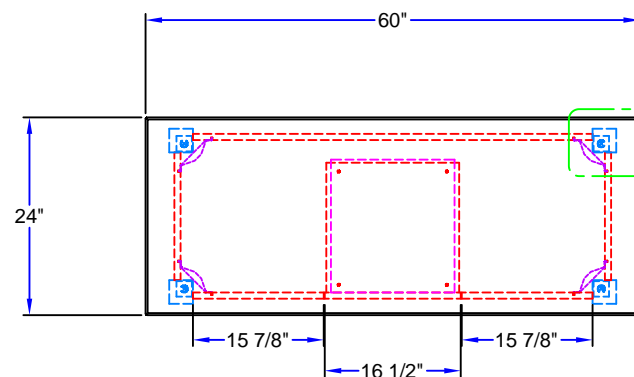
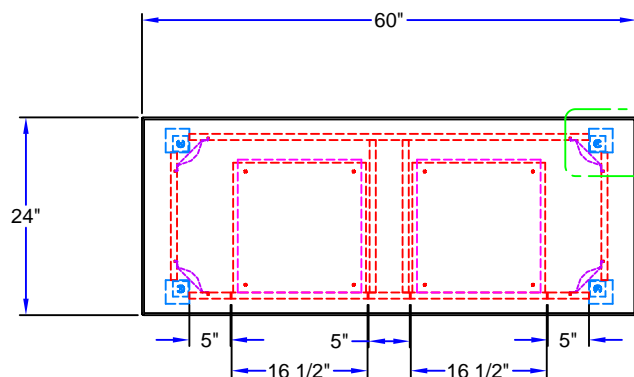
- 1-3/4" EDGE GRAIN TOP, 1/4" RADIUS EDGES & CORNERS, CREAM FINISH
- PAINTED BASE



SHELF DETAIL



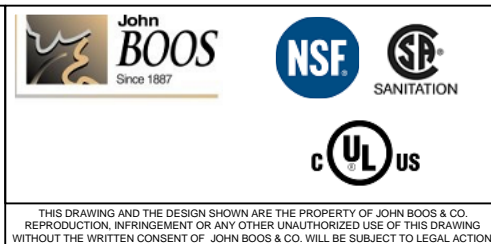
CORNER DETAIL



MFG. INITIALS:				
LAYOUT:				
BREAK:				
WELDER:				
POLISHER:				
CRATING:				
REV:	BY:	DATE:	DESCRIPTION:	
REVISION HISTORY:				

APPROVED
APPROVED AS NOTED
REVISE & RESUBMIT

APPROVED BY _____
DATE _____



QUOTE NUMBER:	JOHN BOOS & COMPANY			
DATE: 4/09/18	CLASSIC COUNTRY WORK TABLE			
SCALE: 1/2"=1'	SHEET NUMBER:	QUANTITY:	DECK MATERIAL: HARD MAPLE	BASE MATERIAL: HARD MAPLE
DRAWN BY: TN	QUAD LOCATION:	ITEM NUMBER:	MODEL NUMBER: C6024	
REQUESTED BY:	ROOM NUMBER:	WEIGHT:	SALES ORDER NUMBER:	

THIS DRAWING AND THE DESIGN SHOWN ARE THE PROPERTY OF JOHN BOOS & CO. REPRODUCTION, INFRINGEMENT OR ANY OTHER UNAUTHORIZED USE OF THIS DRAWING WITHOUT THE WRITTEN CONSENT OF JOHN BOOS & CO. WILL BE SUBJECT TO LEGAL ACTION.