



"JNB" Maple Top Work Tables

w/ 1 1/2" thick Hard Rock Maple Top
 w/ Galvanized Base

AUTOQUOTES



**1-1/2" MAPLE TOP w/
 GALVANIZED BASE**



FEATURES:

- * 1 1/2" Thick Hard Rock Maple Top top style "SCT" flat top
- * Maple top is finished with penetrating oil with optional natural clear Varnique Finish
- * Galvanized base and bracing,
- * Bracing adjustable to desired height
- * Adjustable bullet feet
- * Shipped knocked-down, easy - to - assemble
- * Optional drawers, casters, pot racks, etc. available
- * All models are approved by the National Sanitation Foundation

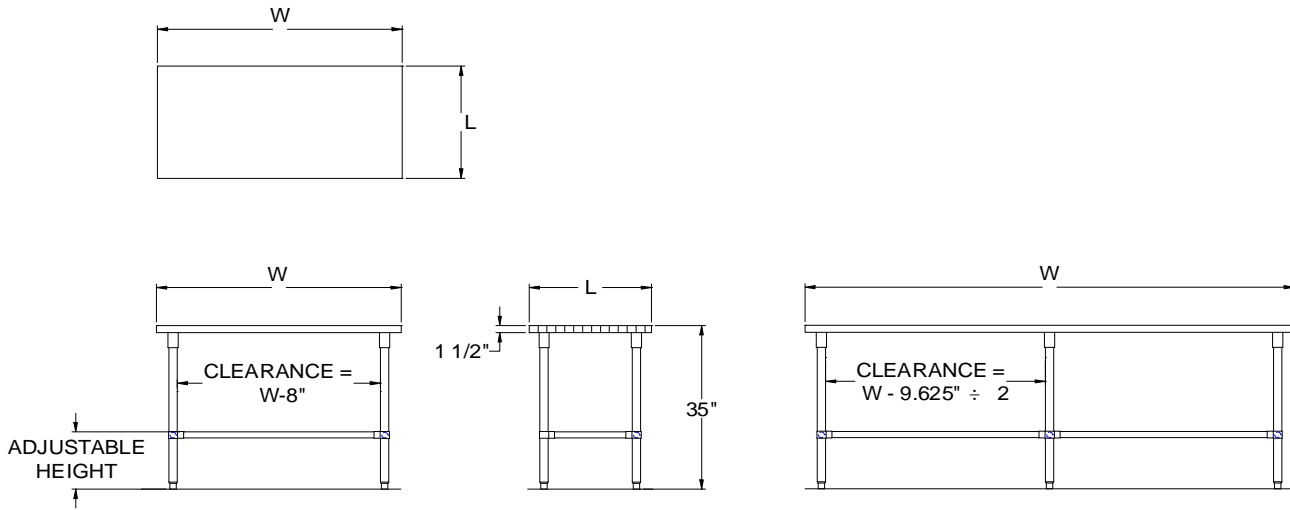
MATERIAL:

Top: Laminated Hard Rock Maple
 Bracing: 1 1/4" Round O.D. 18 gauge tubular galvanized steel
 Legs: 16 gauge Galvanized Steel
 Gussets: Galvanized Steel
 Feet: 1" adjustable galvanized bullet feet

OPTIONAL ACCESSORIES

	MODEL #	Qty
DRAWER		
DRAWER LOCK		
CASTERS		
OVERSHELVES		
POT RACK		

DETAILED SPECIFICATIONS



All units ship unassembled for reduced shipping cost.
 Units 7 ft. and larger are furnished with six legs.
 All dimensions are typical.
 Tolerance +/- .500".

1-1/2" MAPLE TOP & GALVANIZED BASE

W	24" L	WT.	30" L	WT.	36" L	WT.
36	JNB01	64	JNB07	75	JNB13	100
48	JNB02	79	JNB08	94	JNB14	127
60	JNB03	94	JNB09	112	JNB15	155
72	JNB04	109	JNB10	131	JNB16	190
84	JNB04A	128	JNB10A	154	JNB16A	215
96	JNB05	147	JNB11	177	JNB17	239
108	JNB05A	162	JNB11A	196	JNB17A	261
120	JNB06	117	JNB12	214	JNB18	283

