

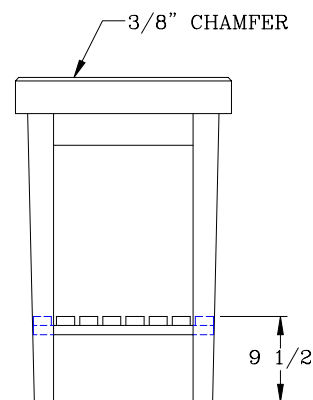
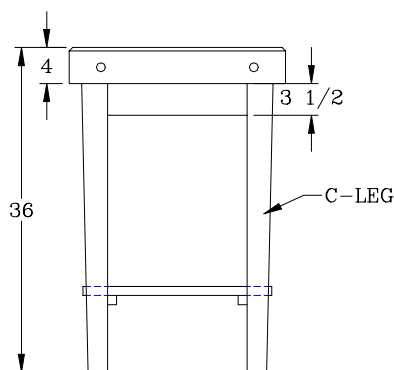
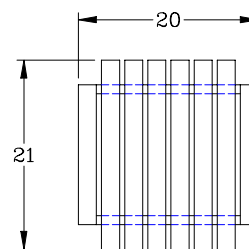
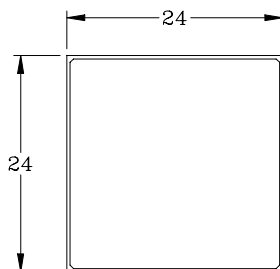
# BOOS BlockS



**FEATURES:**

- \* Solid Hard Rock Maple
- \* 24"x24"x4" Thick End Grain Work Surface
- \* Finished with Penetrating Oil
- \* Stand 36" O.A.H.
- \* Options: Casters
- \* Shipped knocked-down, easy - to - assemble
- \* UPSable

Model	Size	Wt
GB	24"x24"	95
GB-C	24"x24" w/Casters	100



**MATERIAL:**

Top: End Grain Hard Rock Maple  
Legs: Hard Rock Maple