



**John
BOOS**
Since 1887

ITEM #: _____ QTY: _____

MODEL #: _____

PROJECT NAME: _____

∴kitchensource.com
☎ 1.800.667.8721

"CUCR" RUSTICA

FEATURES:

- NORTHERN HARD ROCK MAPLE END GRAIN TOP, STANDARD BOOS BLOCK CREAM FINISH W/ BEESWAX
- ADD SUFFIX (-SHF) FOR A SOLID NATURAL LOWER SHELF
- 48" LENGTH STANDARD W/ 2 DOVETAILED DRAWERS
- 30" LENGTH STANDARD W/ 1 DOVETAILED DRAWER
- SEE BASE COLOR SPEC SHEET FOR COLOR OPTIONS



CUCR04-AL



CUCR04-SHF



CUCR05



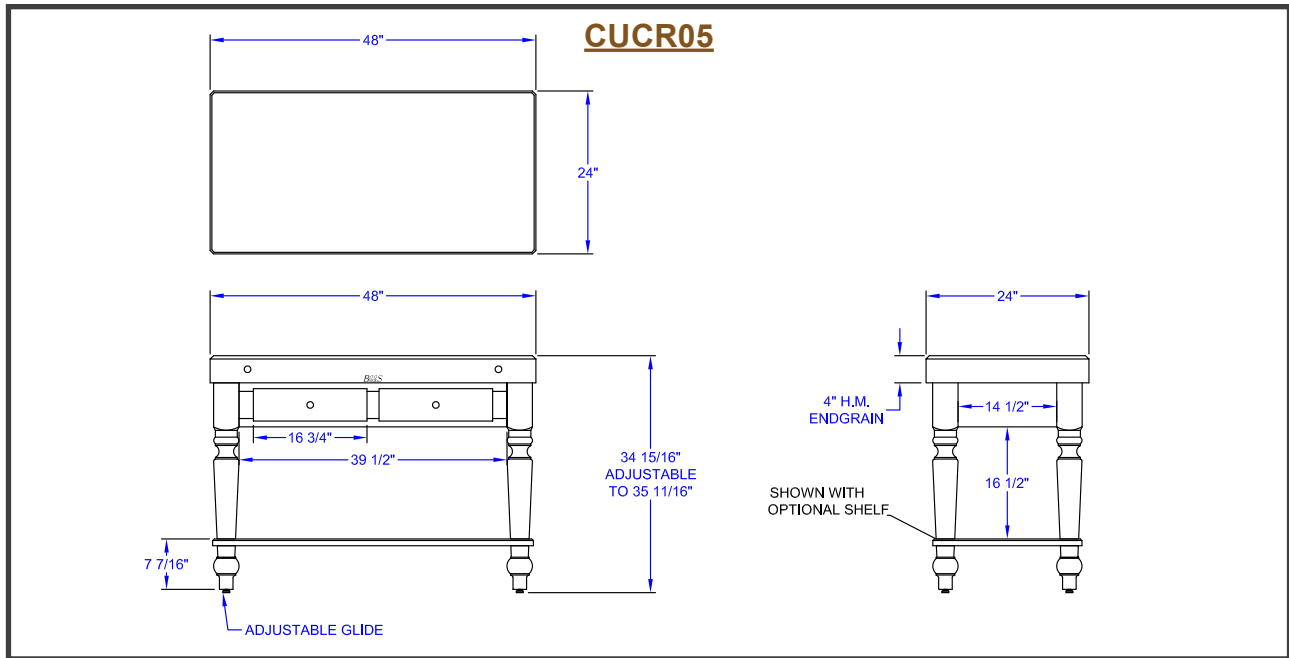
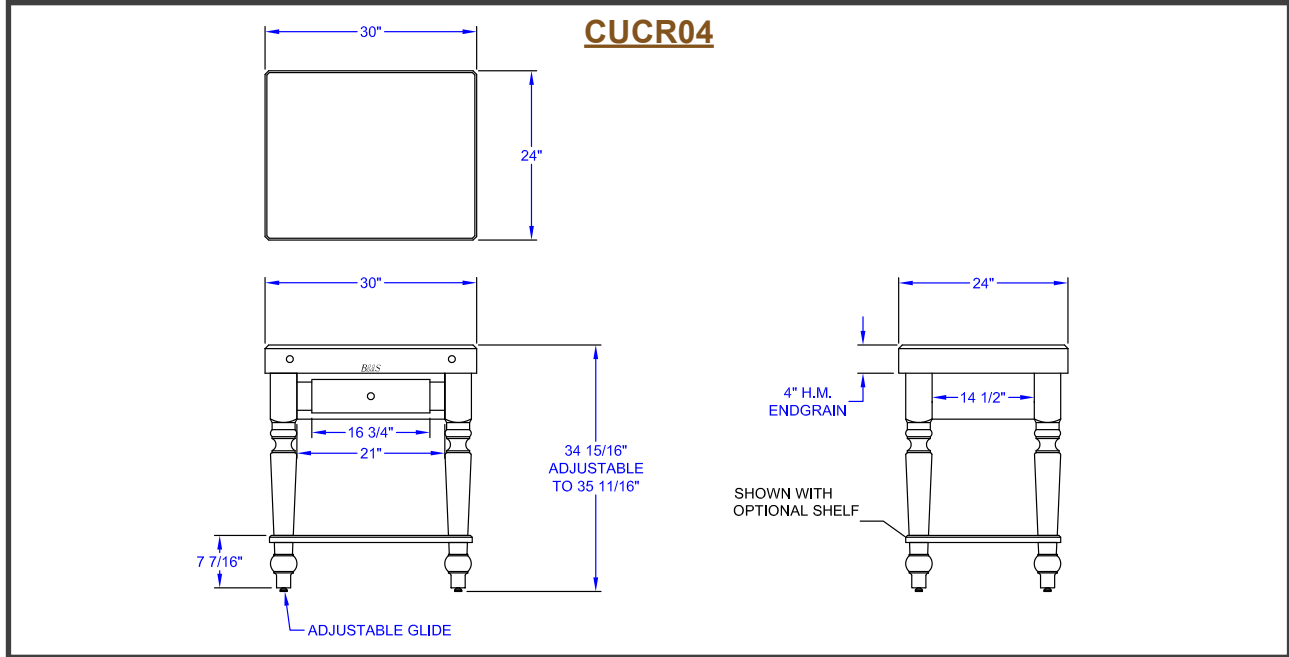
CUCR05-SHF

"CUCR" RUSTICA

MODEL #	QTY
CUCR04	
CUCR04-SHF	
CUCR05	
CUCR05-SHF	

∴kitchensource.com
☎ 1.800.667.8721

DETAILED SPECIFICATIONS



"CUCR" RUSTICA

MODEL #	SIZE	HEIGHT	WEIGHT (LBS)
CUCR04	30" X 24" X 4"	34-1/2"	132
CUCR04-SHF	30" X 24" X 4"	34-1/2"	155
CUCR05	48" X 24" X 4"	34-1/2"	171
CUCR05-SHF	48" X 24" X 4"	34-1/2"	201

SOME UNITS SHIP UNASSEMBLED FOR REDUCED SHIPPING COST. ALL DIMENSIONS ARE TYPICAL. TOLERANCE +/- .500"
 John Boos & Co. is constantly engaged in a program of improving products and therefore reserves the right to change specifications without prior notice.

