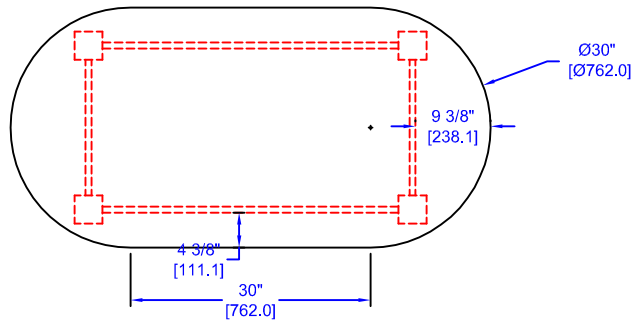


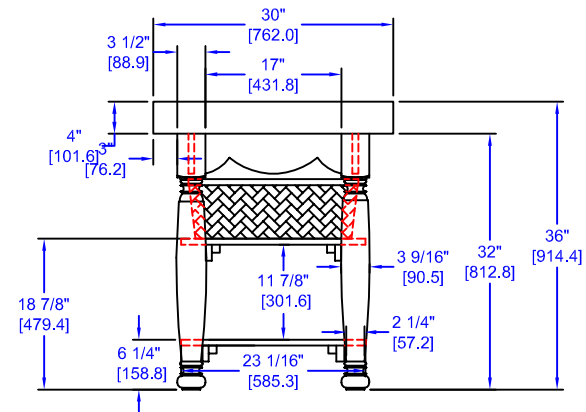
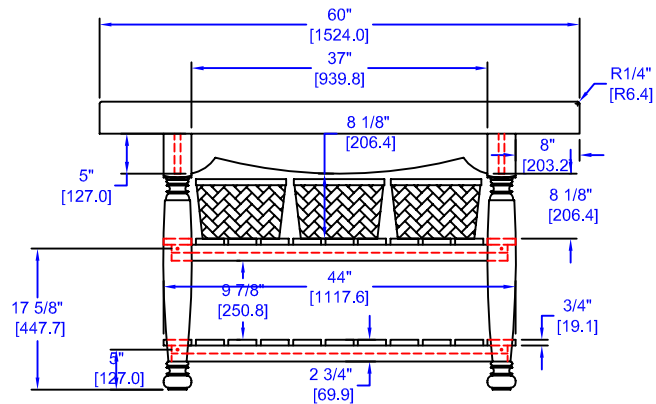
## NOTES:

- HARD MAPLE END GRAIN TOP, STANDARD BOOS BLOCK CREAM FINISH



### BASE COLOR OPTIONS

FINISH	SUFFIX
ALABASTER	-AL
BARN RED	-BN
BASIL GREEN	-BS
BLACK	-BK
CHERRY STAIN	-CR
EGGPLANT	-EP
NATURAL MAPLE	-N
SAGE GREEN	-S
SPORTY BLUE	-SB
TANGERINE	-TG
USEFUL GRAY STAIN	-UG



### MATERIALS

DECK: H.M.

BASE:

**kitchensource.com**  
1.800.667.8721

**JOHN BOOS & CO.**

**HARVEST TABLE**

THIS DRAWING AND THE DESIGN SHOWN ARE THE PROPERTY OF JOHN BOOS & CO. REPRODUCTION, INFRINGEMENT OR ANY OTHER UNAUTHORIZED USE OF THIS DRAWING WITHOUT THE WRITTEN CONSENT OF JOHN BOOS & CO. WILL BE SUBJECT TO LEGAL ACTION.

SALES ORDER NUMBER:

JK

DRAWN BY:

3-2-09

DATE:

1/2"=1'

SCALE:

MODEL NUMBER: CU-HAR60

QUANTITY:

ITEM NUMBER: AMERICAN HERITAGE

ROOM NUMBER:

QUAD LOCATION:

SHEET NUMBER: