

"C-ELIP" AMERICAN HERITAGE COLLECTION

Elliptical C-Table - 1½" Thick Edge Grain Top

FEATURES:

- Northern Hard Rock Maple
- Edge Grain Construction
- Optional Wicker Baskets (8"x15"x6", DWB8156)
- Base Color Options Available
- Oil Finish

CERTIFICATIONS:



NHLA



C-ELIP4830150-2S-BN
(WICKER BASKETS NOT INCLUDED)

COLOR BASE OPTIONS



ALABASTER (-AL)



CAVIAR BLACK (-BK)



SLATE GRAY (-SG)



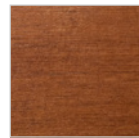
BARN RED (-BN)



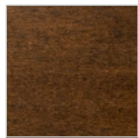
BASIL (-BS)



NATURAL MAPLE (-N)



WARM CHERRY STAIN (-CR)



WALNUT STAIN (-WT)



USEFUL GRAY STAIN (-UG)

ACCESSORIES

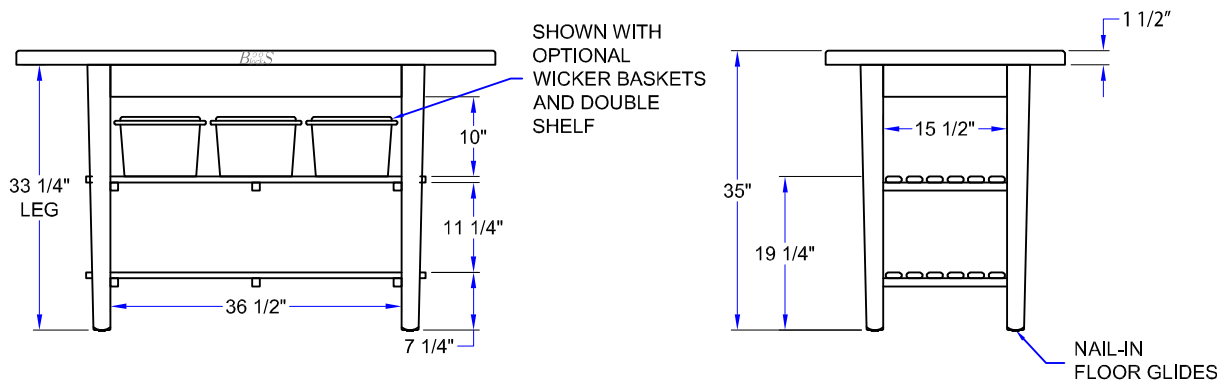
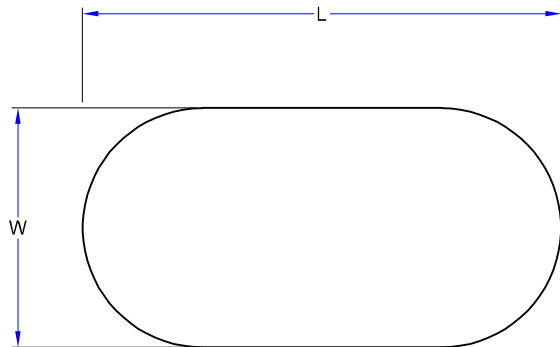
MODEL	DESCRIPTION
DWB8156	Wicker Baskets (EA)

"C-ELIP" ELLIPTICAL C-TABLE

MODEL	DESCRIPTION	OVERALL HEIGHT	WT. (LBS)
C-ELIP4830150	No Shelf	35"	103
C-ELIP6030150	No Shelf	35"	124
C-ELIP7230150	No Shelf	35"	145
C-ELIP4830150-S	1 Shelf	35"	134
C-ELIP6030150-S	1 Shelf	35"	161
C-ELIP7230150-S	1 Shelf	35"	188
C-ELIP4830150-2S	2 Shelf	35"	165
C-ELIP6030150-2S	2 Shelf	35"	188
C-ELIP7230150-2S	2 Shelf	35"	211

ALL DIMENSIONS ARE TYPICAL. TOLERANCE +/- .125". JOHN BOOS & CO. RESERVES THE RIGHT TO CHANGE SPECIFICATIONS WITHOUT NOTICE.

DETAILED SPECIFICATIONS



"C-ELIP" ELLIPTICAL C-TABLE

MODEL	DESCRIPTION	TOP SIZE (L X W X H)	WT. (LBS)
C-ELIP4830150	No Shelf	48"x30"x1-1/2"	103
C-ELIP6030150	No Shelf	60"x30"x1-1/2"	124
C-ELIP7230150	No Shelf	72"x30"x1-1/2"	145
C-ELIP4830150-S	1 Shelf	48"x30"x1-1/2"	134
C-ELIP6030150-S	1 Shelf	60"x30"x1-1/2"	161
C-ELIP7230150-S	1 Shelf	72"x30"x1-1/2"	188
C-ELIP4830150-2S	2 Shelf	48"x30"x1-1/2"	165
C-ELIP6030150-2S	2 Shelf	60"x30"x1-1/2"	188
C-ELIP7230150-2S	2 Shelf	72"x30"x1-1/2"	211

ALL DIMENSIONS ARE TYPICAL. TOLERANCE +/- .125". JOHN BOOS & CO. RESERVES THE RIGHT TO CHANGE SPECIFICATIONS WITHOUT NOTICE.