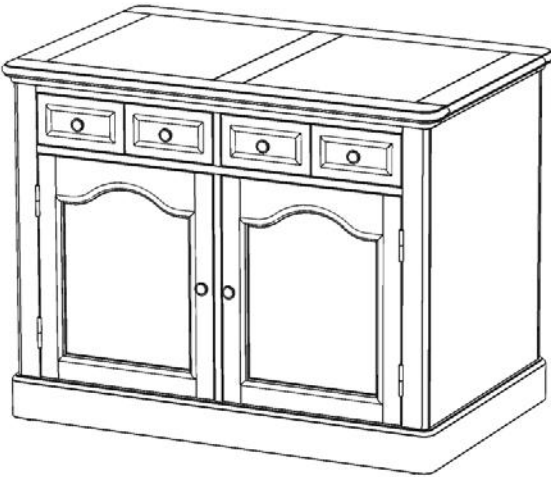




88 5170 943 Kitchen Island



IMPORTANT

Carefully remove all the parts from the carton and place them individually on a soft cloth to prevent scratches or other damage.

Carefully and strictly follow these assembly instructions to ensure a completed product as designed.

Do not use power tools above 8 volts to assemble.

Part List

- E. Base**
1 pc.
- F. Shelf**
4 pcs.
- G. Front Rail**
2 pcs.
- H. Back Upright**
1 pc.
- I. Back Panel**
2 pcs.
- J. Door**
1 pc.
- K. Door**
1 pc.
- L. Back Rail**
2 pcs.
- M. Drawer**
2 pcs.

Refer to later page(s) of these instructions for drawer assembly.

Hardware List

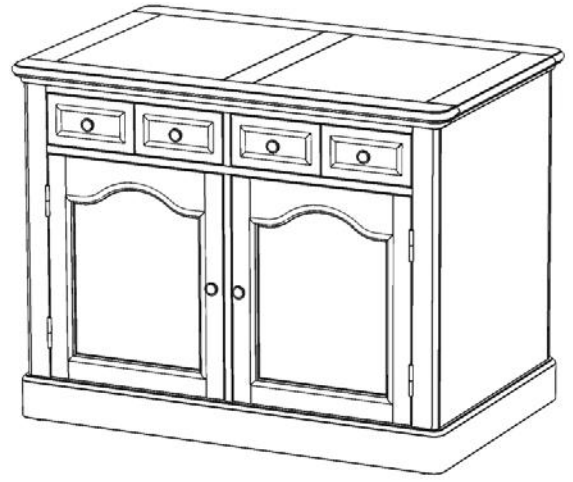
Hex Wrench 1 pc.	Adjustable Pin 16 pcs. (+1 extra)	Cam Lock 18 pcs. (+6 extra)	M8x38 Head Cap Bolt 6 pcs. (+1 extra)	M3x15 Wood Screw for back panel 8 pcs. (+1 extra)	M3x15 Wood Screw 4 pcs. (+1 extra)	M4x25 Machine Screw 6 pcs.
Small Hex Wrench 1 pc.	Wood Dowel 6 pcs.	Cam Lock Screw 18 pcs. (+2 extra)	Flat Washer 6 pcs. (+1 extra)	Spring Washer 6 pcs. (+1 extra)	Magnet 2 pcs.	Knob 6 pcs.

Cartons 88 5523 94Q1 or 941 and 942 are also needed for assembly.

Tool(s) required for assembly: Phillips screwdriver, Level, Drill (8 volts or less), 3/8" Drill Bit

homestyles®

88 5170 94Q1 Kitchen Island



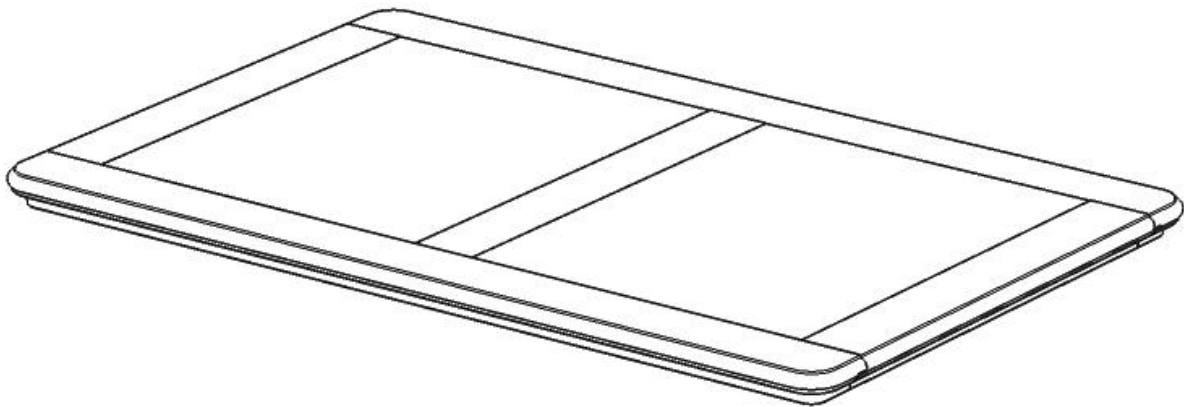
IMPORTANT

Carefully remove all the parts from the carton and place them individually on a soft cloth to prevent scratches or other damage.

Carefully and strictly follow these assembly instructions to ensure a completed product as designed.

Do not use power tools above 8 volts to assemble.

Part List

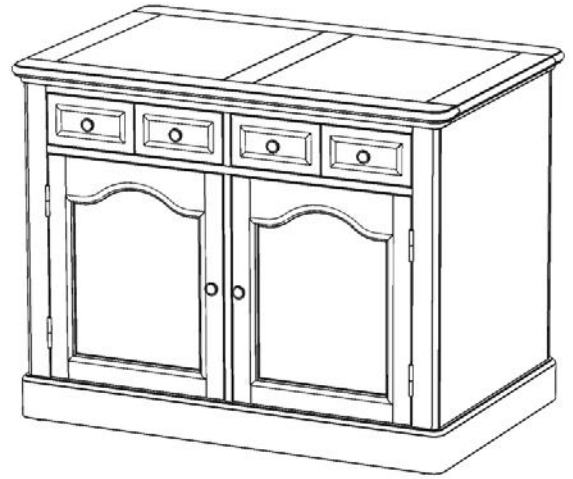


A.
Top
1 pc.

For assembly see instructions in carton 88 5170 943.

homestyles®

88 5170 942 Kitchen Island



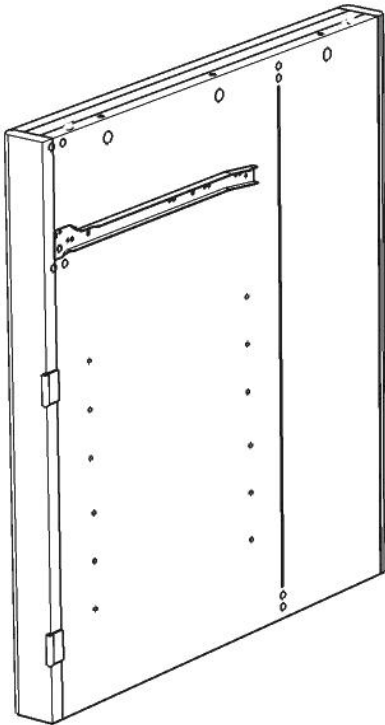
IMPORTANT

Carefully remove all the parts from the carton and place them individually on a soft cloth to prevent scratches or other damage.

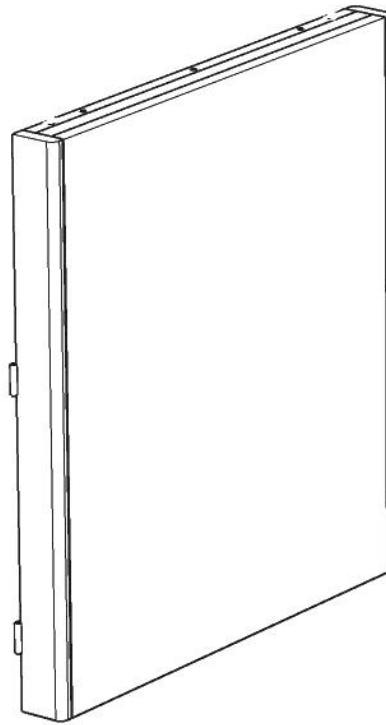
Carefully and strictly follow these assembly instructions to ensure a completed product as designed.

Do not use power tools above 8 volts to assemble.

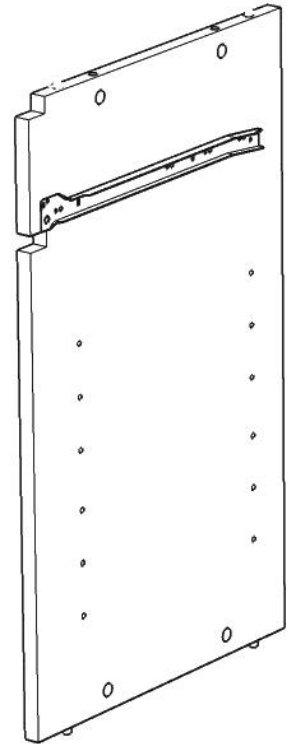
Part List



B.
Side Panel
1 pc.



C.
Side Panel
1 pc.



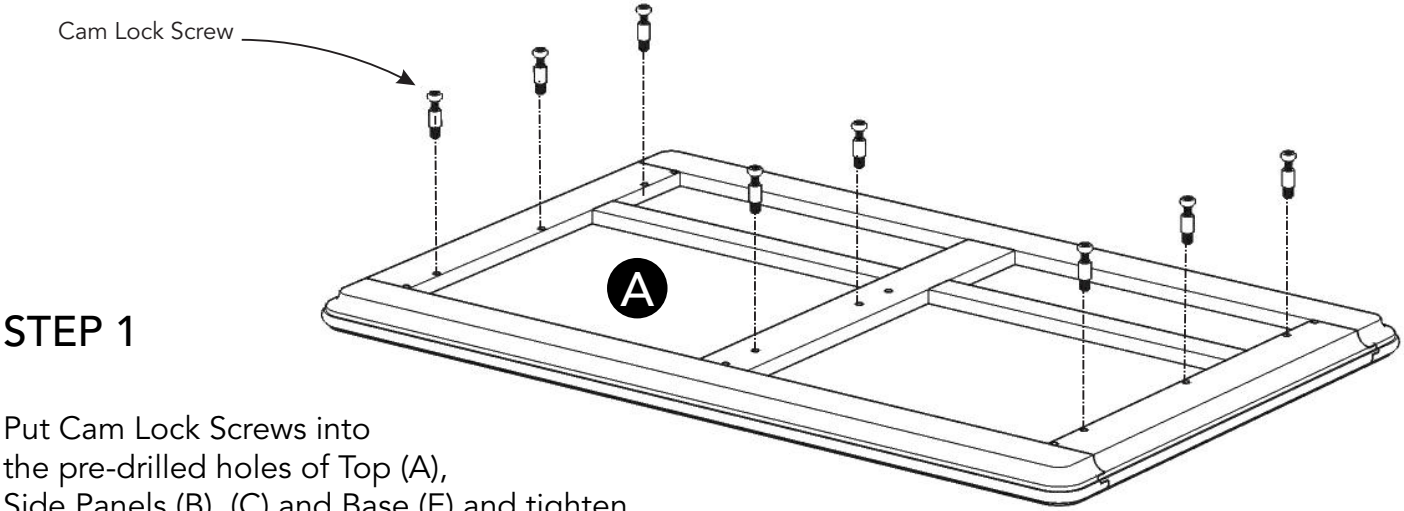
D.
Middle Panel
1 pc.

For assembly see instructions in carton 88 5170 943.

Assembly Instructions 2/5

IMPORTANT

- Use a soft cloth between these parts and the floor.
- Do not use power tools above 8 volts to assemble.
- Do not tighten all the screws until each part is properly assembled.
- The unit must be level to work properly. Use the included adjustable levelers to level.
- Keep Hex Wrench in a safe place as the bolts may need to be tightened up in the future.



STEP 1

Put Cam Lock Screws into the pre-drilled holes of Top (A), Side Panels (B), (C) and Base (E) and tighten. (See Figure 1)

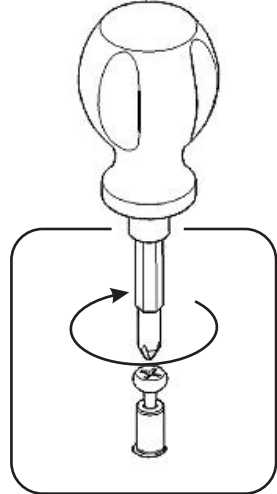
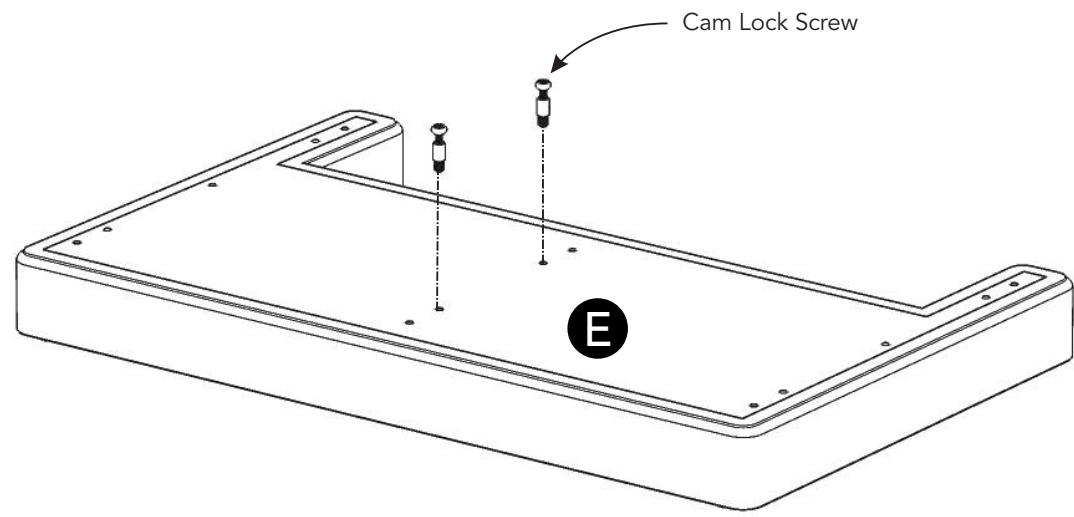
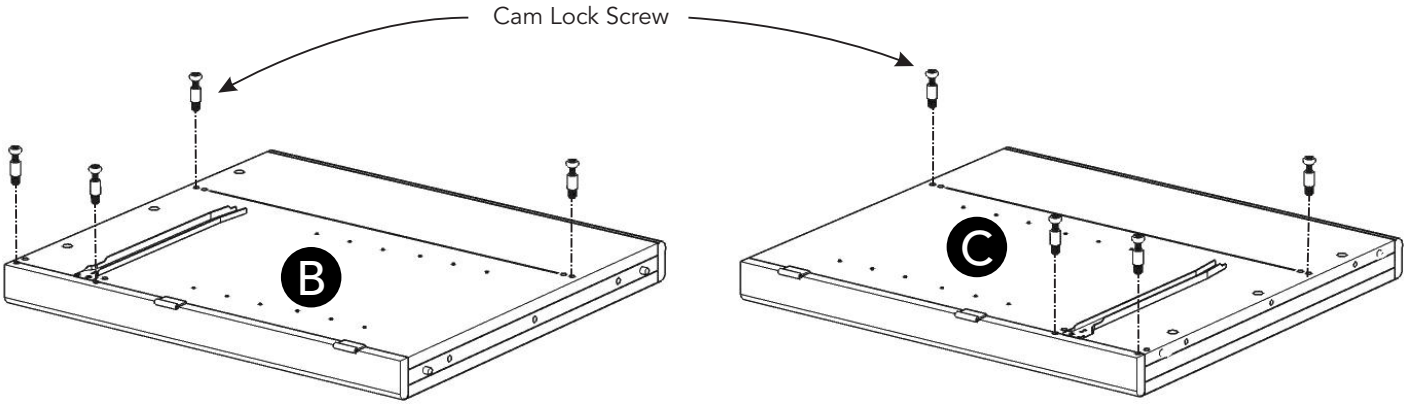
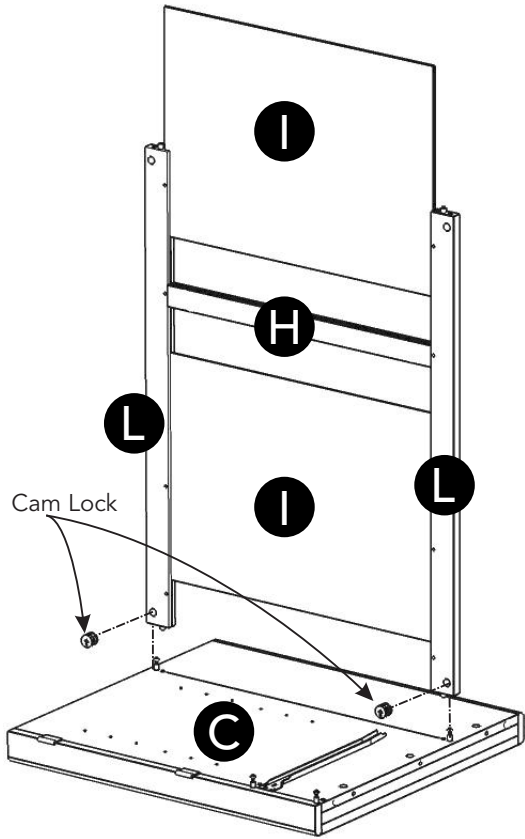


Figure 1

Assembly Instructions 3/5

STEP 2



Attach Back Rails (L) to Side Panel (C) with Cam Locks.
(See Figure 2)

Slide Back Panel (I), Back Upright (H) and Back Panel (I) to unit.

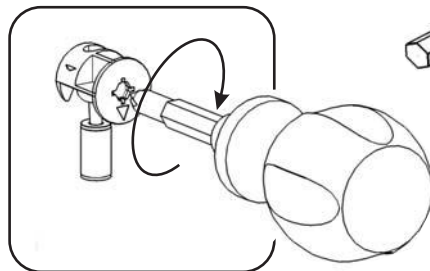


Figure 2

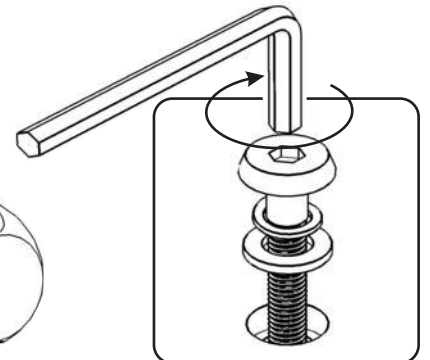
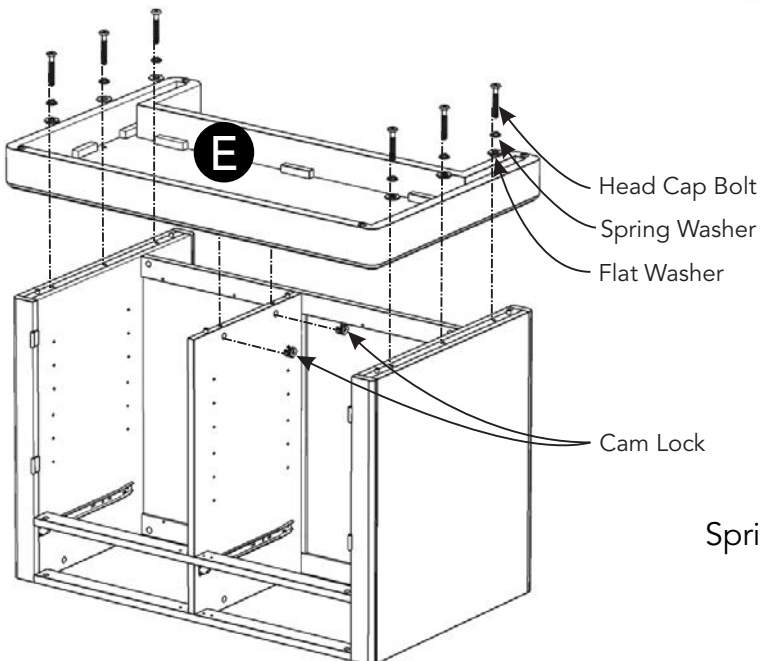
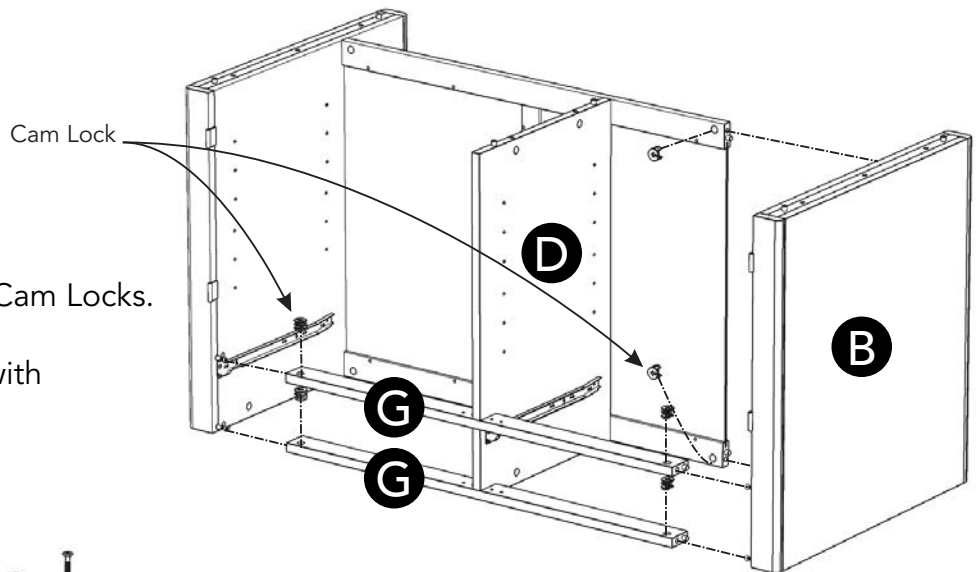


Figure 3

STEP 3

Attach Front Rails (G) and Middle Panel (D) to unit with Cam Locks.

Attach Side Panel (B) to unit with Cam Locks.

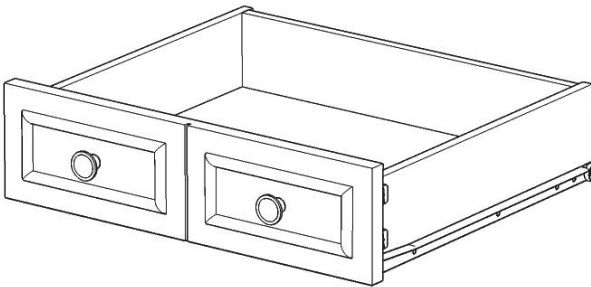
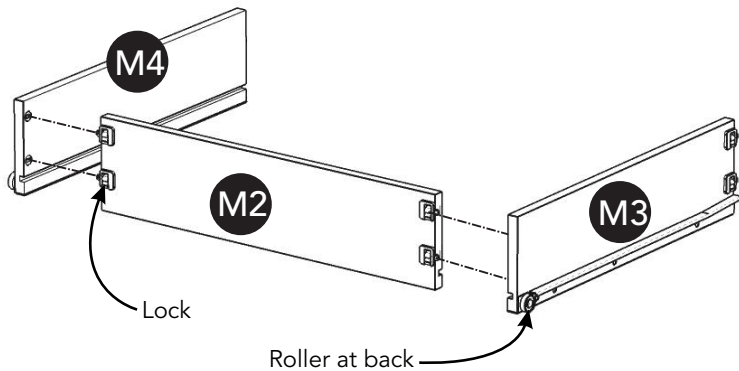


STEP 4

Attach Base (E) to unit with Flat Washers, Spring Washers, Head Cap Bolts and Cam Locks.
(See Figure 3)

Assembly Instructions 4/5

Drawer (M)



STEP 5

Attach Drawer Sides (M3) and (M4) to Drawer Back (M2), then flip the locks. (See Figures 4 and 5)

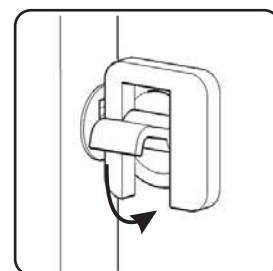
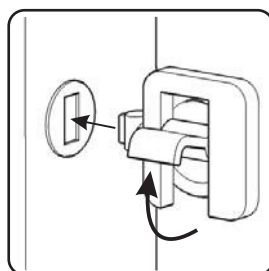


Figure 4

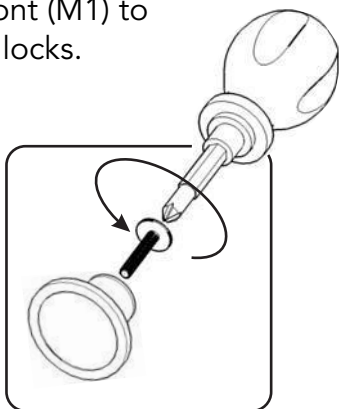
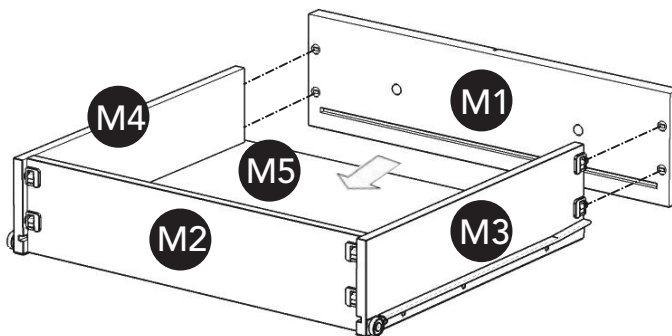
Figure 5

STEP 6

Slide Drawer Bottom (M5) into the grooves in Drawer Sides (M3) and (M4).

Push Drawer Bottom (M5) all the way into Drawer Back (M2).

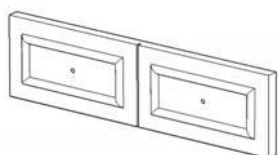
Attach Drawer Front (M1) to unit, then flip the locks.



STEP 7

Attach Knob with Machine Screw.

Part List



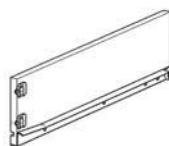
M1.
Drawer Front
2 pcs.



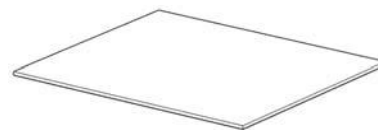
M2.
Drawer Back
2 pcs.



M3.
Drawer Side
2 pcs.



M4.
Drawer Side
2 pcs.



M5.
Drawer Bottom
2 pcs.

Assembly Instructions 5/5

STEP 8

Turn the unit to its' upright position, then insert Wood Dowels into side panels and middle panel.

Attach Top (A) to unit with Cam Locks.

Attach Magnets to unit with Wood Screws. (See Figure 6)

Level unit by adjusting the adjustable levelers on the bottom of unit. (See Figure 7)

Insert Wood Screws for back panel into pre-drilled holes of unit.

Note: Unit must be level before tightening these screws.

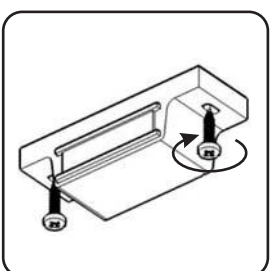
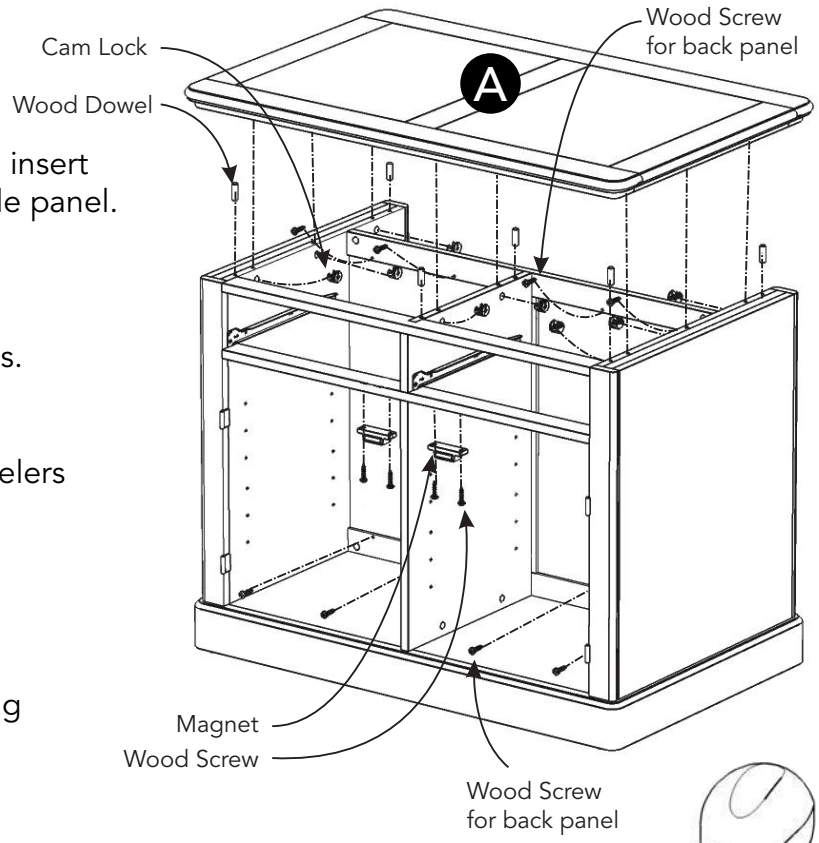


Figure 6

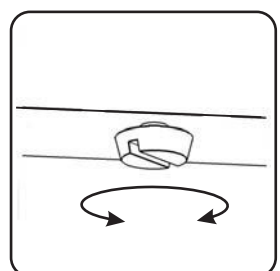


Figure 7

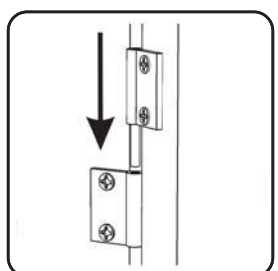


Figure 8

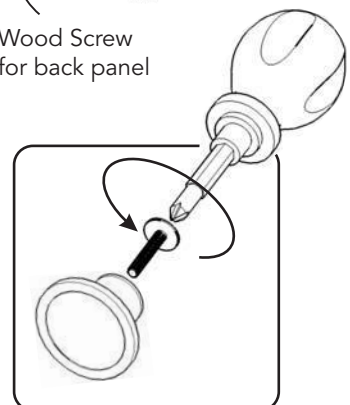


Figure 9

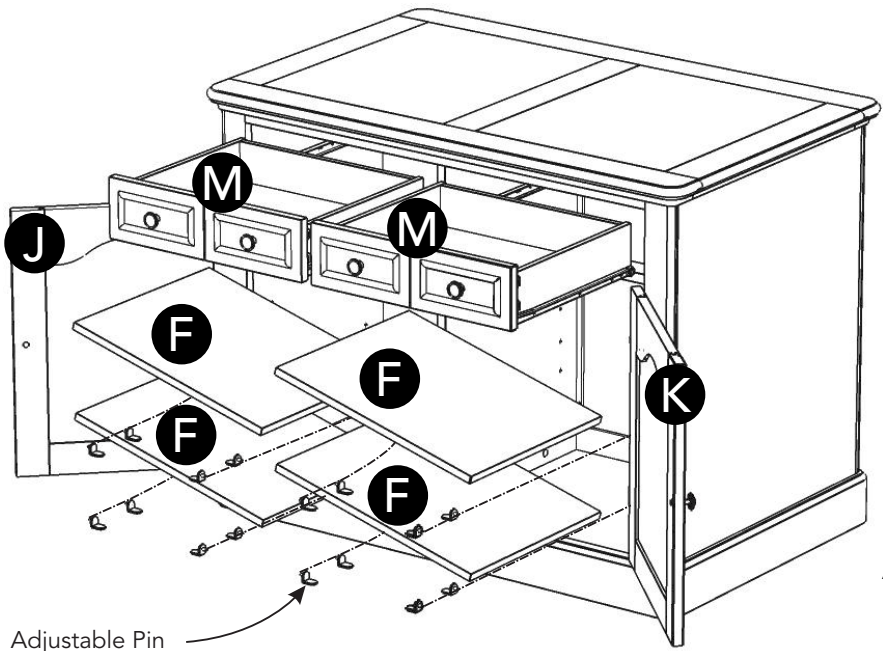
STEP 9

Slide Drawers (M) into position.

Insert Adjustable Pins into side panel and middle panel at desired level, then place Shelves (F) into position.

Attach Doors (J) and (K) by sliding the door lift hinges into the side panels lift hinges. (See Figure 8)

Assemble Knobs to Doors (J) and (K) with Machine Screws. (See Figure 9)



Adjustable Pin

CARE INSTRUCTIONS

NEVER

allow liquids to remain on furniture.
Absorption causes parts to warp
and split and finishes to delaminate.

NEVER

use glass cleaners on
finished furniture. Ammonia
chemically attacks the finish.



Do not use power tools
above 8 volts to assemble.
**PREVENT
CRACKING**



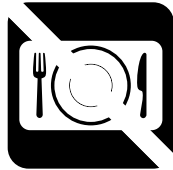
Do not place
in direct sunlight.
**PREVENT
FADING**



Do not write
directly on surface.
**PREVENT
MARKING**



Do not place hot
objects on surface.
**PREVENT
FINISH DAMAGE**



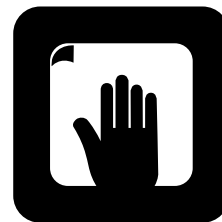
Do not use rubber
based placemats.
**PREVENT
DISCOLORING**



Do not use commercial
waxes and polishes.
**PREVENT
YELLOWING**

CLEAN

with a soft cloth moistened
in lukewarm soap and water.
Buff with a dry clean cloth.



Home Styles will provide replacements free of charge for missing or damaged hardware or parts within 30 days of purchase. Digital images of the defective parts may be required. If the product was not purchased from an authorized retail affiliate, Home Styles is under no obligation to provide replacement parts. Parts are not available for fully assembled items nor are parts available for sale.