

# 88 4511 95 Kitchen Cart

## IMPORTANT NOTE

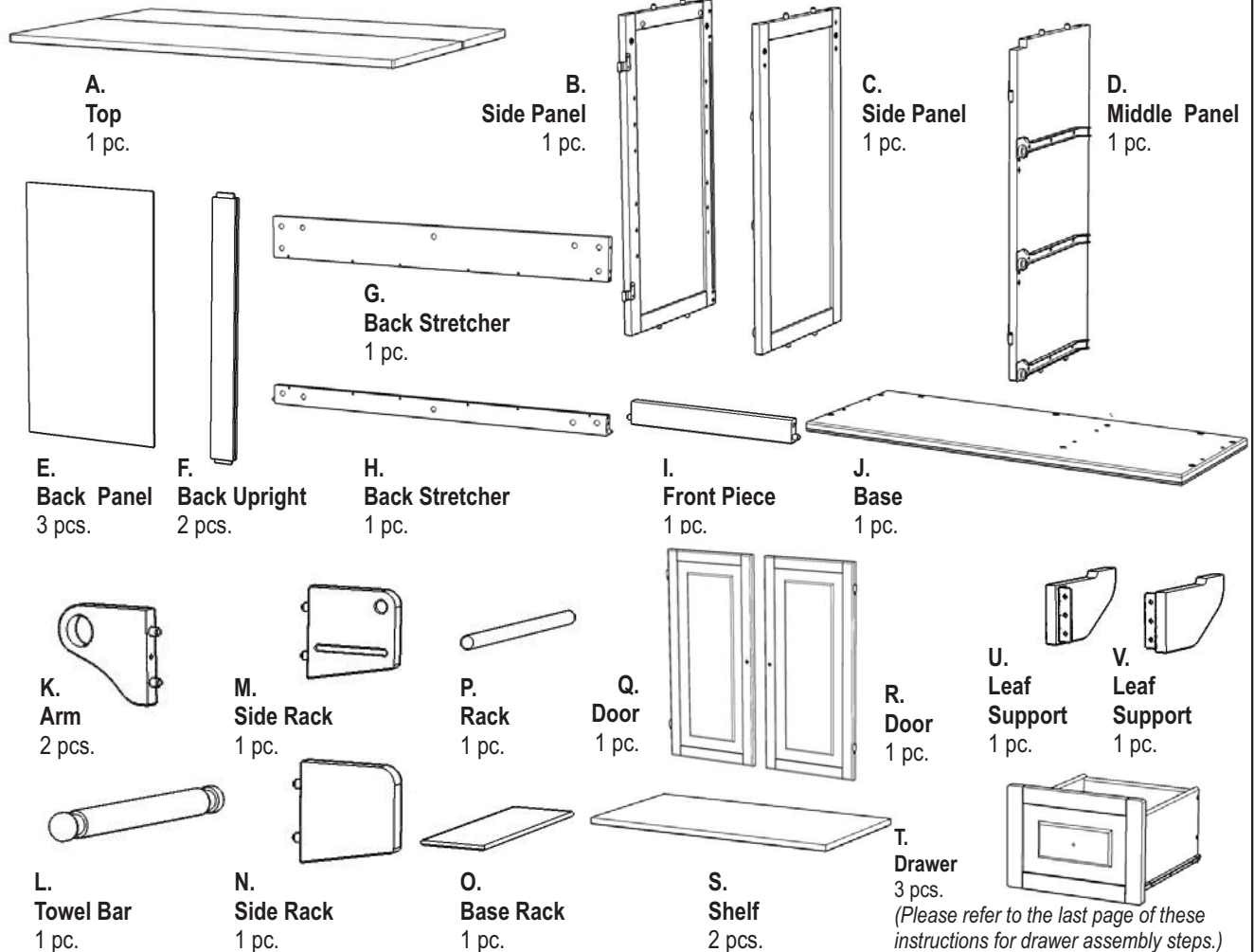
Carefully remove all the parts from the carton and put them individually on a soft cloth to prevent scratches or other damages occurring to the wood parts.

We have taken great care in the design of this product and request that you carefully and strictly follow our assembly instructions to ensure a completed product as it was designed.

Home  
Styles



## PART LIST



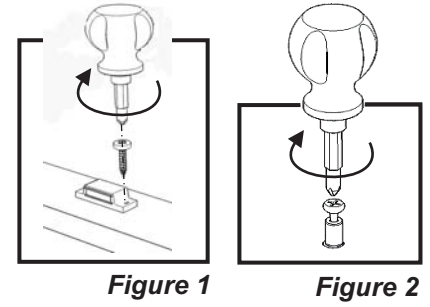
## HARDWARE LIST



Tools required for assembly : Phillips screwdriver

**IMPORTANT**

- \* Do not tighten up all the screws until each part is properly assembled.
- \* Use a soft cloth between these parts and the floor.



## STEP 1

Attach 2X Magnets to Top (A) by using Wood Screws (for Magnet) into the pre-drilled holes. (See Figure 1)

Insert Cam Lock Screws into the pre-drilled holes of Top (A), Side Panels (B) and (C), Middle Panel (D) and Base (J). (See Figure 2)

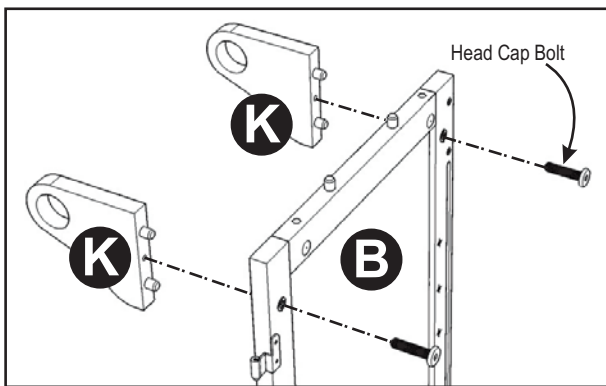
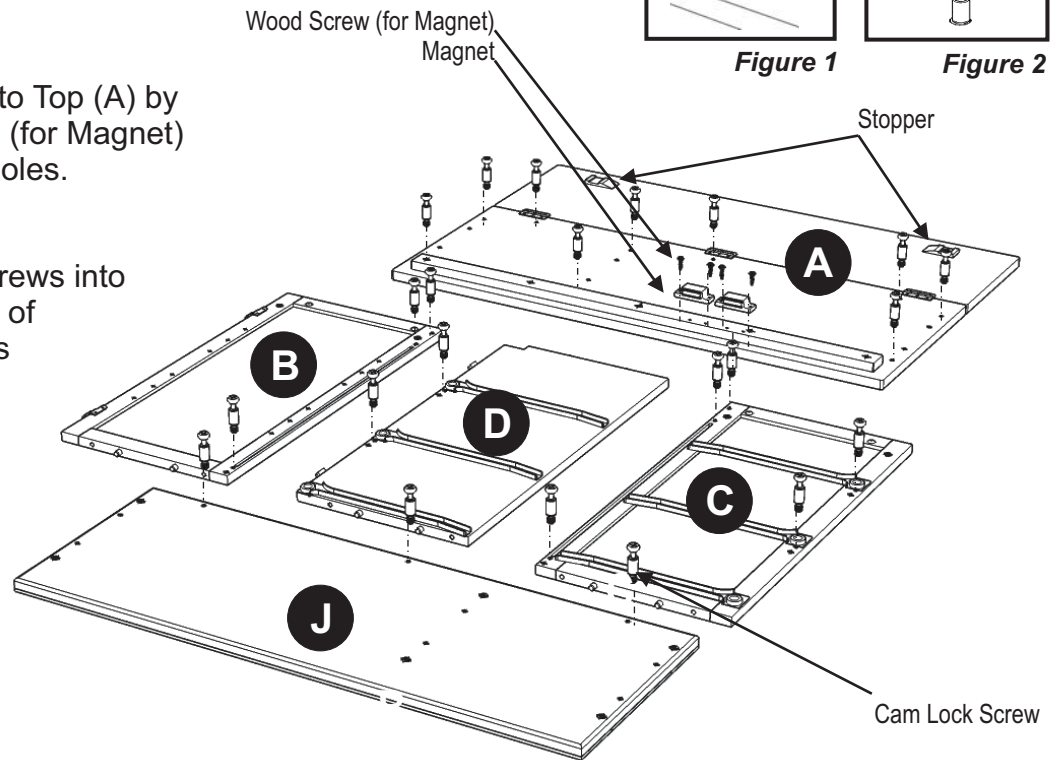


Figure 3

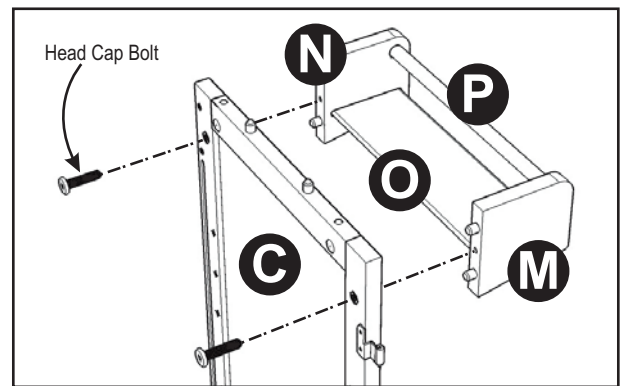
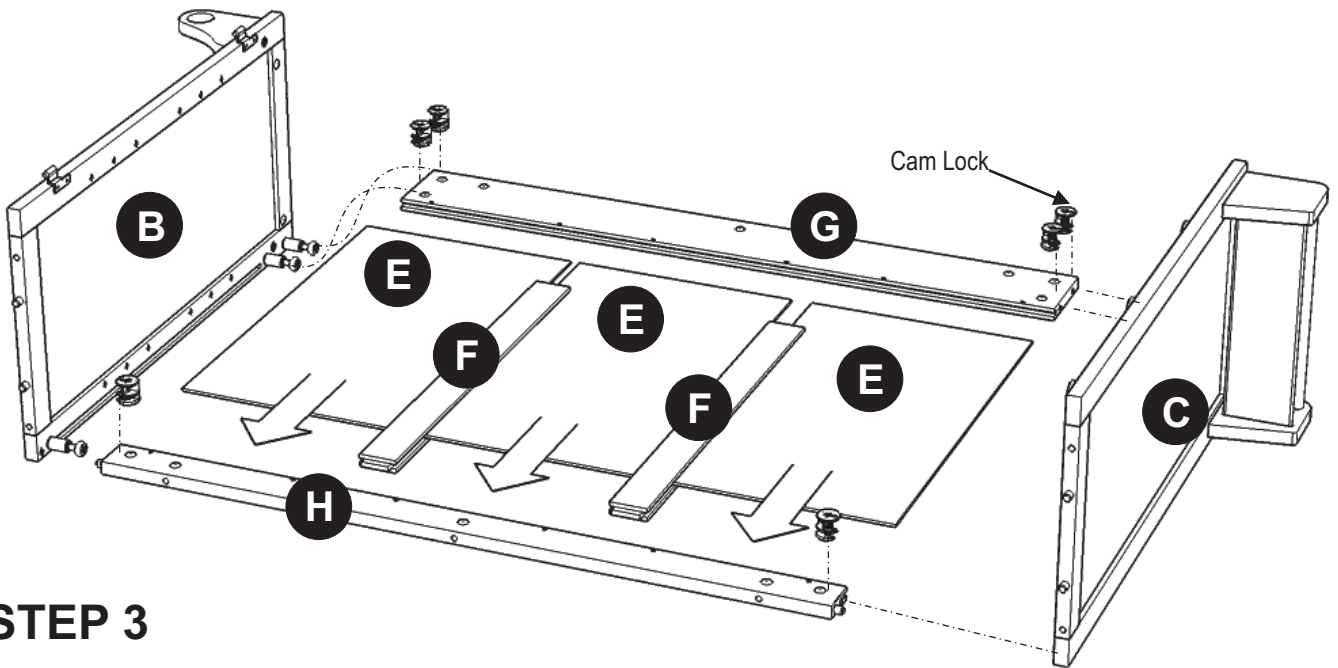


Figure 4

## STEP 2

Attach Arms (K) to Side Panel (B) with Head Cap Bolts. (See Figure 3)

Assemble Side Racks (M), (N), Base Rack (O) and Rack (P), then attach to Side Panel (C) with Head Cap Bolts. (See Figure 4)



## STEP 3

Attach Back Stretcher (H) to Side Panel (B) with Cam Lock.  
(See Figure 5)

Attach Back Uprights (F) and slide Back Panels (E) into position.

Attach Back Stretcher (G) to unit with Cam Locks.

Attach Side Panel (C) to unit with Cam Locks.

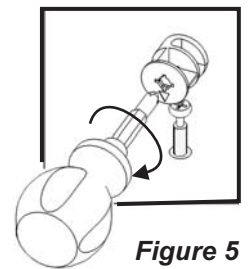


Figure 5

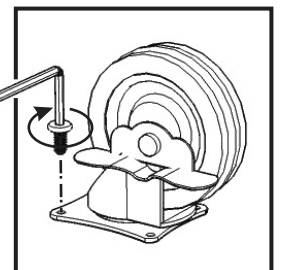
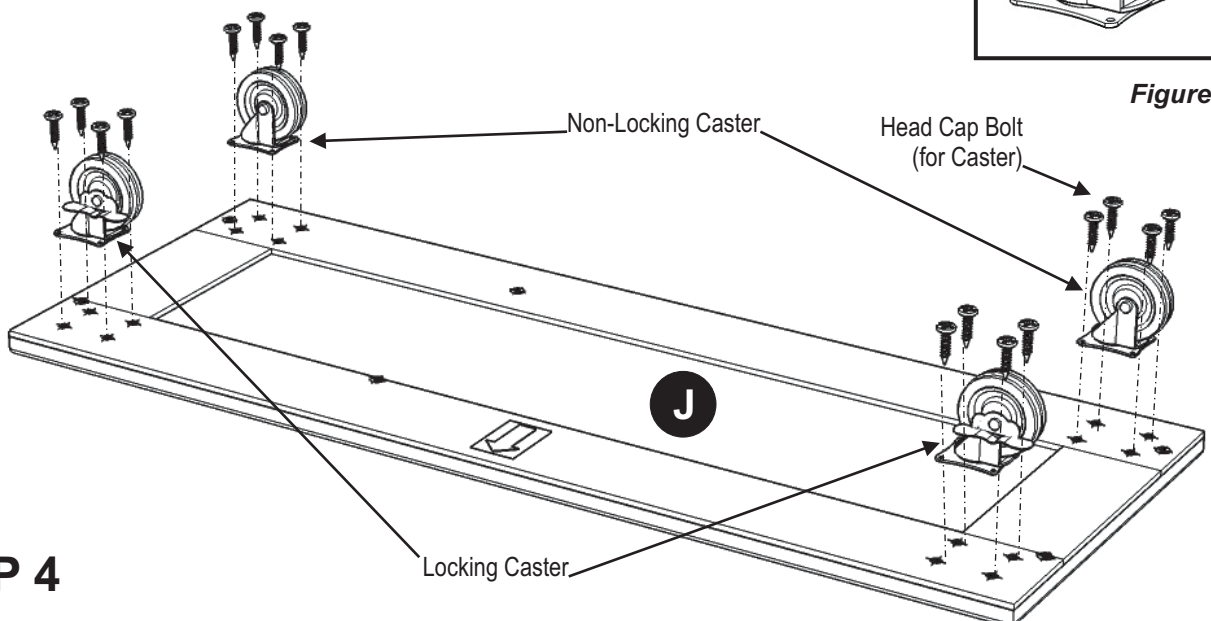


Figure 6



## STEP 4

Attach 4 Casters underneath Base (J) with Head Cap Bolts (for Caster),  
put 2 Casters with Lock at the front side. (See Figure 6)

## STEP 5

Attach Middle Panel (D) and Front Pieces (I) to unit from Step 3 with Cam Locks.

Attach base unit to unit with Wood Screws and Flat Washers.

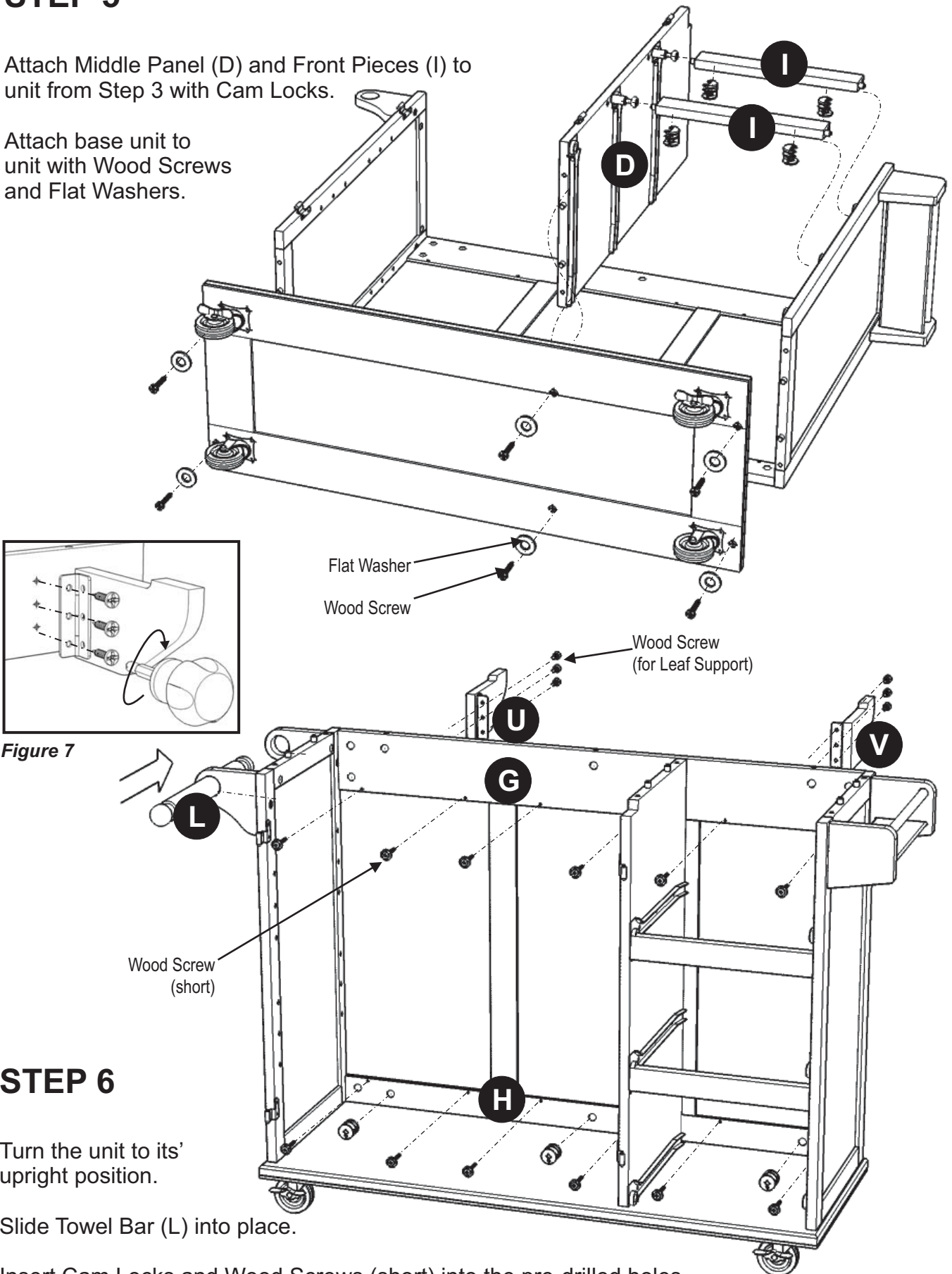


Figure 7

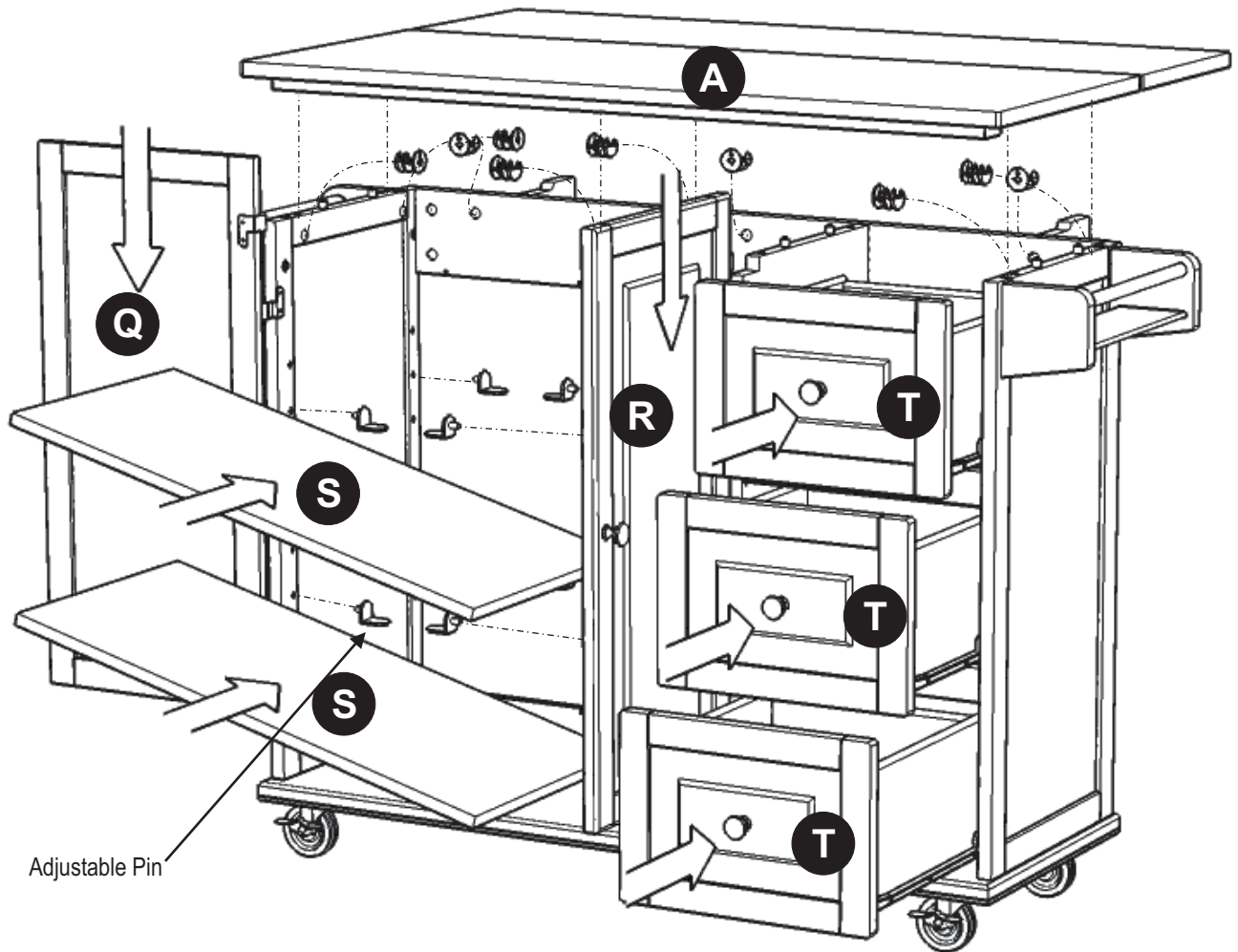
## STEP 6

Turn the unit to its' upright position.

Slide Towel Bar (L) into place.

Insert Cam Locks and Wood Screws (short) into the pre-drilled holes of Back Stretchers (G) and (H) and tighten.

Attach Leaf Supports (U) and (V) to unit with Wood Screws (for Leaf Support) (See Figure 7).



## STEP 7

Attach Top (A) to the unit with Cam Locks.

Insert Adjustable Pins into side panel and middle panel at the desired level.

Place Shelves (S) into position.

Attach Doors (Q) and (R) by sliding the door lift hinges into the side panels lift hinges. (See Figure 8)

Assemble Pull Handles to Doors with Machine Screws. (See Figure 9)

Slide Drawers (T) into position.

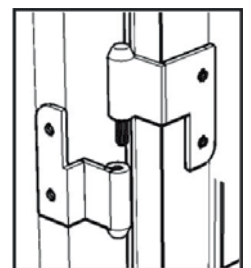


Figure 8

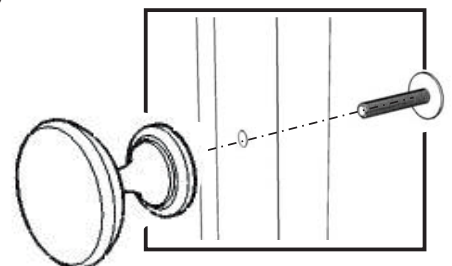
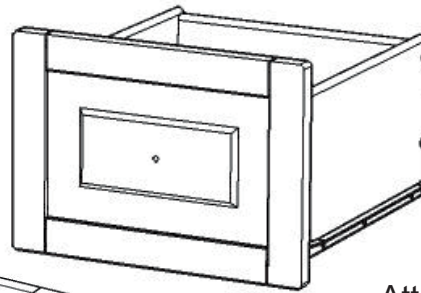
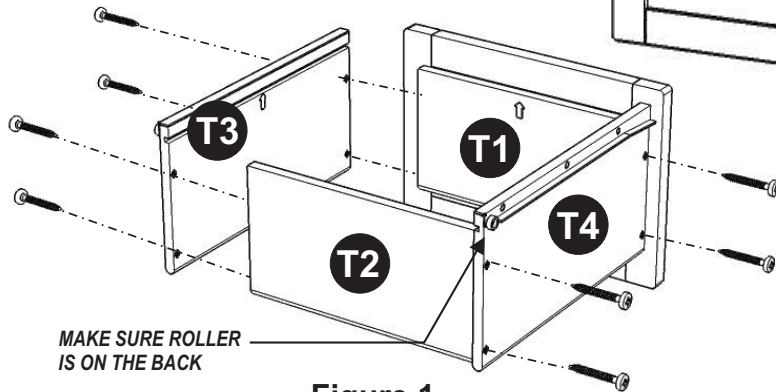


Figure 9

# Drawer (T)



## STEP 1



Attach T1 to T3 and T4, using a Phillips screwdriver and long wood screws (4X), tighten halfway.

Attach T2 to T3 and T4 using long wood screws (4X), tighten halfway. (See Figure 1)

## STEP 2

Figure 1

Slide T5 into the grooves in T3 and T4. Be sure to push T5 all the way forward so it meets T1. (See Figure 2)

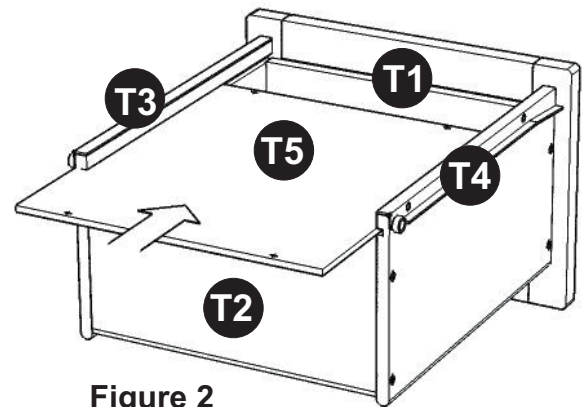


Figure 2

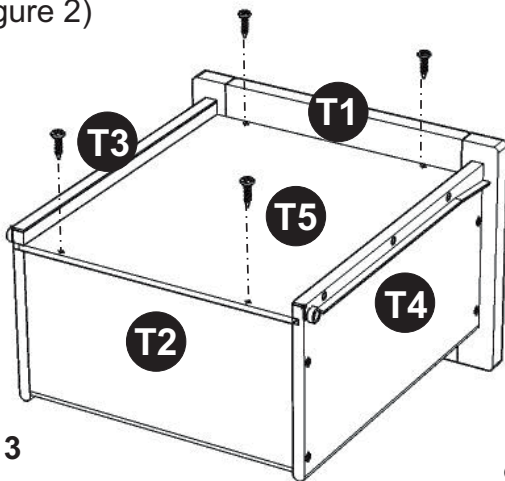


Figure 3

## STEP 3

Insert short wood screws (4X) into the pre-drilled holes in T5, tighten screws. (See Figure 3)

## STEP 4

Assemble Pull Handle with machine screws. (See Figure 4)

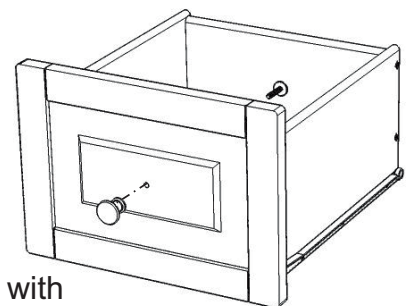
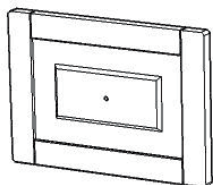


Figure 4

Tighten all screws used in drawer assembly.

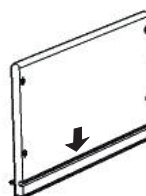
## Part List



T1.  
Front Part  
3 pcs.



T2.  
Back Part  
3 pcs.



T3.  
Side Part  
3 pcs.



T4.  
Side Part  
3 pcs.



T5.  
Base Part  
3 pcs.