

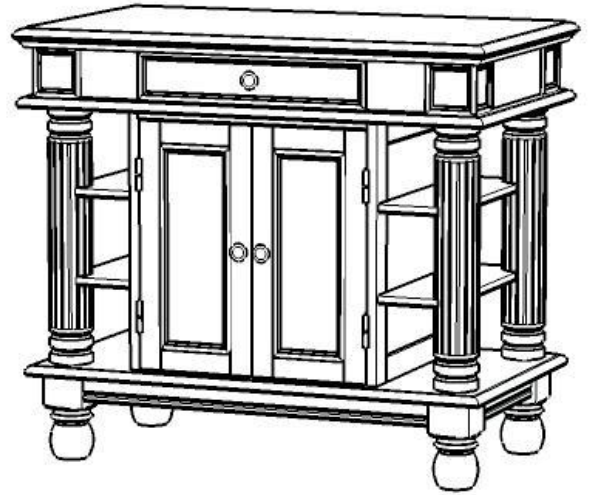
88 5092 941 Kitchen Island (Black Finish)

IMPORTANT NOTE

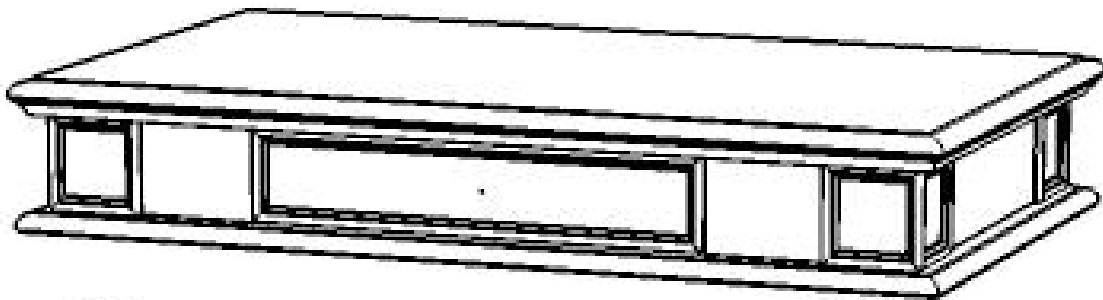
Carefully remove all the parts from the carton and put them individually on a soft cloth to prevent scratches or other damages occurring to the wood parts.

We have taken great care in the design of this product and request that you carefully and strictly follow our assembly instructions to ensure a completed product as it was designed.

Home Styles



Part List



F.
Foot
4 pcs.

A.
Top
1 pc.

Hardware List



Small
Hex Wrench
1 pc.



Hex Wrench
1 pc.



Flat Washer
4 pcs. (+1 extra)



Adjustable Pin
4 pcs. (+2 extra)



Cam Lock
4 pcs. (+1 extra)



Pull Handle
6 pcs.



Head Cap Bolt
16 pcs. (+1 extra)



Head Cap Bolt (long)
4 pcs. (+1 extra)



Spring Washer
4 pcs. (+1 extra)



Cam Lock Screw
4 pcs. (+1 extra)



Machine Screw
6 pcs.

For assembly see instructions in carton 88 5092 942

Tools required for assembly : Phillips screwdriver

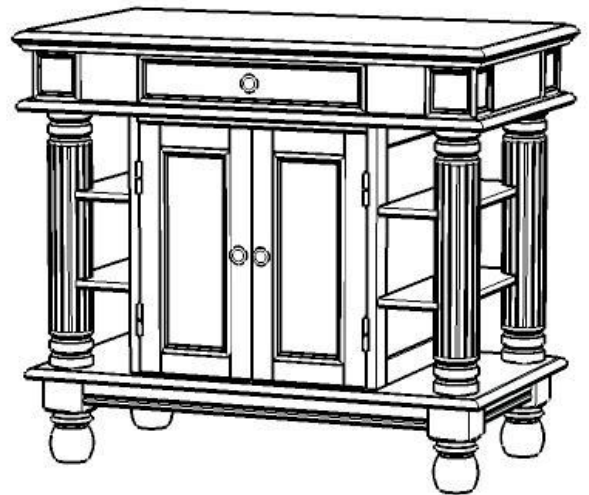
88 5092 942 Kitchen Island (Black Finish)

IMPORTANT NOTE

Carefully remove all the parts from the carton and put them individually on a soft cloth to prevent scratches or other damages occurring to the wood parts.

We have taken great care in the design of this product and request that you carefully and strictly follow our assembly instructions to ensure a completed product as it was designed.

Home Styles



Part List



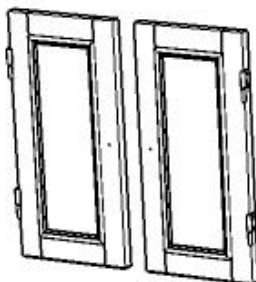
B.
Rail
2 pcs.



D.
Leg
2 pcs.

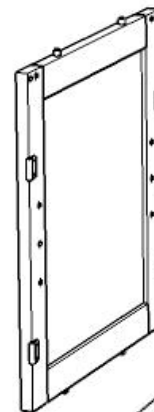


E.
Leg
2 pcs.



H.
Door
2 pcs.

I.
Door
2 pcs.



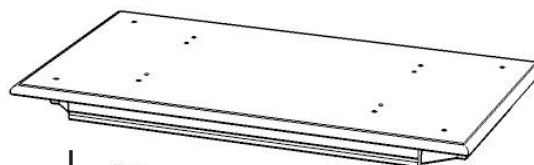
C.
Side Panel
2 pcs.



G.
Shelf
4 pcs.



J.
Shelf
1 pc.



K.
Base
1 pc.



L.
Stretcher
2 pcs.

Also need the following from carton 88 5092 941 :

Part List in carton 88 5092 941

Top (A)	1 pc.
Foot (F)	4 pcs.

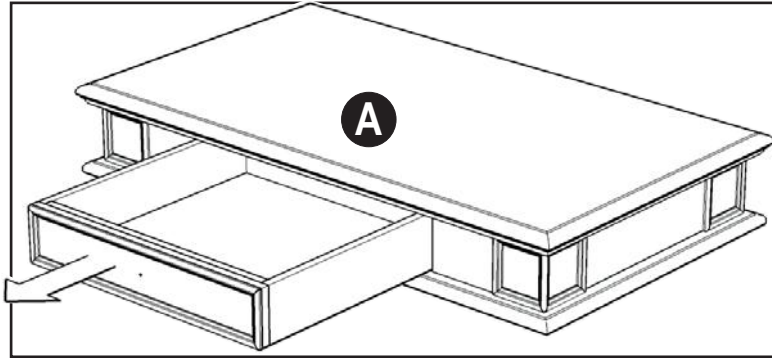
Hardware List in carton 88 5092 941

Hex Wrench	1 pc.
Small Hex Wrench	1 pc.
Cam Lock Screw	5 pcs.
Cam Lock	5 pcs.
Head Cap Bolt	17 pcs.
Head Cap Bolt (long)	5 pcs.
Spring Washer	5 pcs.
Flat Washer	5 pcs.
Adjustable Pin	6 pcs.
Pull Handle	8 pcs.
Machine Screw	8 pcs.

Assembly Instructions 3/5

IMPORTANT

- * Do not tighten up all the screws until each part is properly assembled.
- * You should keep Hex Wrench in a safe place as you may need to tighten up the Head Cap Bolts in the future.



STEP 1

Remove the Drawer from Top (A).

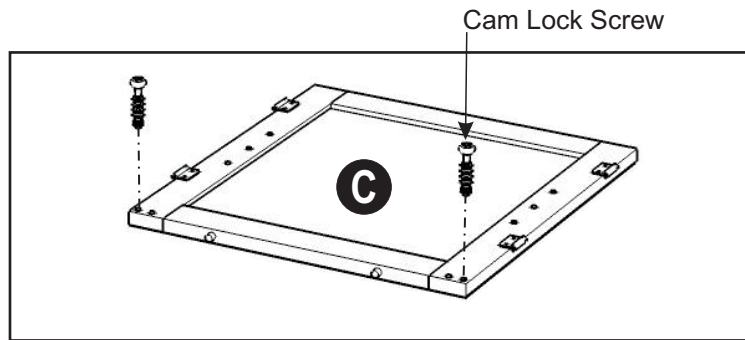


Figure 1

STEP 2

Put Cam Lock Screws into the pre-drilled holes of Side Panels (C) and tighten. (see Figure 1)

Assemble Side Panel (C) and Rail (B) using Cam Lock. (see Figure 2)

Place the unit onto Top (A).

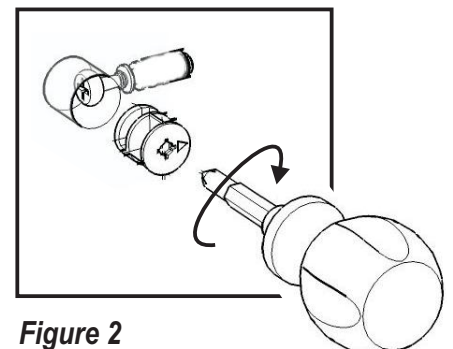
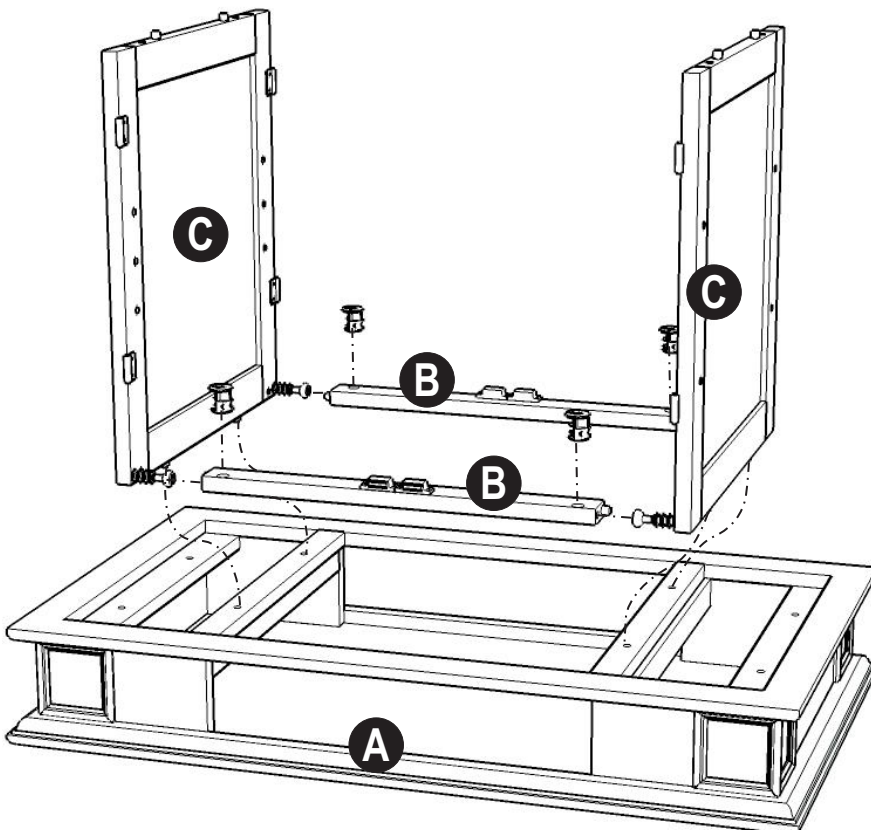


Figure 2

Assembly Instructions 4/5

STEP 3

Attach Rail (L) to Leg (D) and (E) with Head Cap Bolts. (see Figure 3)

Attach Shelf (G) to unit at the pre-drill holes of side panels, then attach the assembled legs to unit with Head Cap Bolts.

Head Cap Bolt

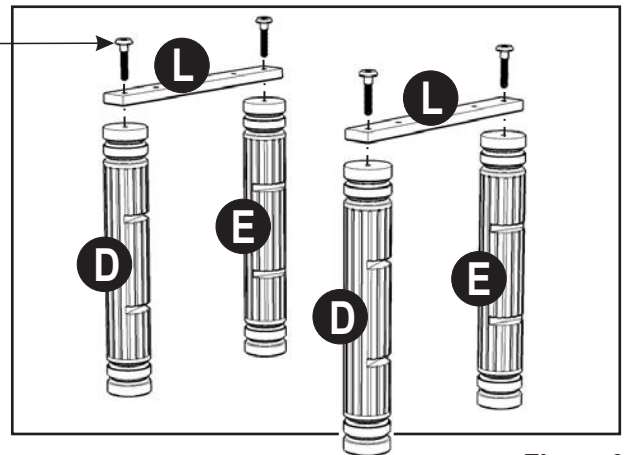
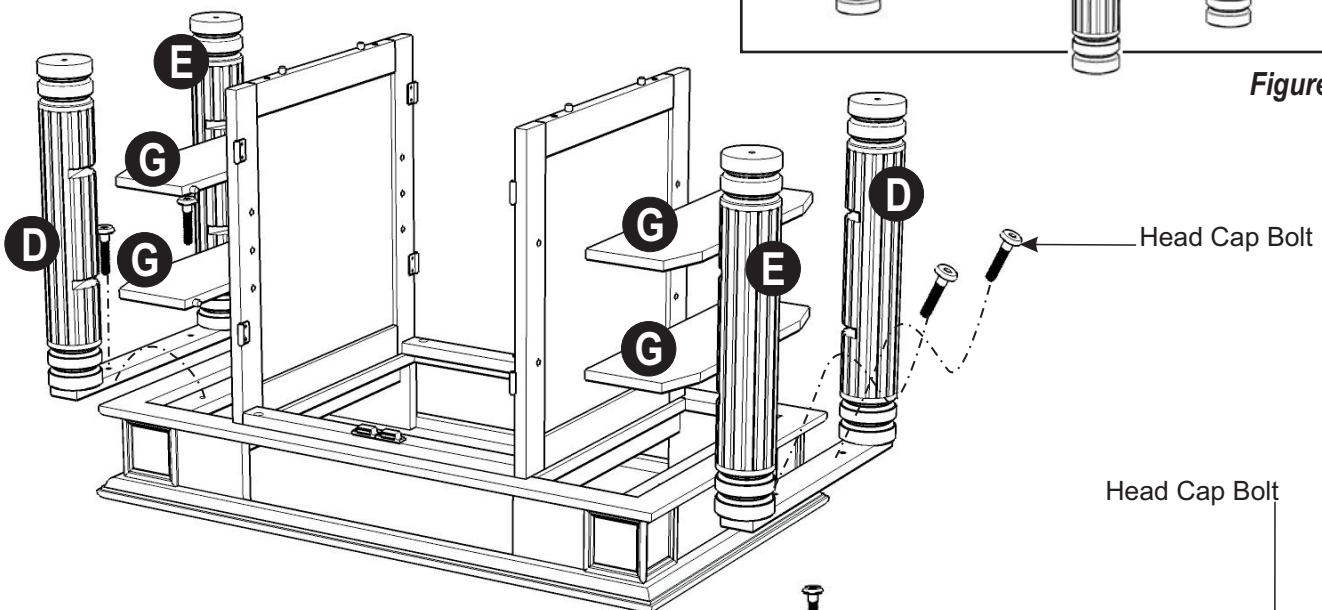
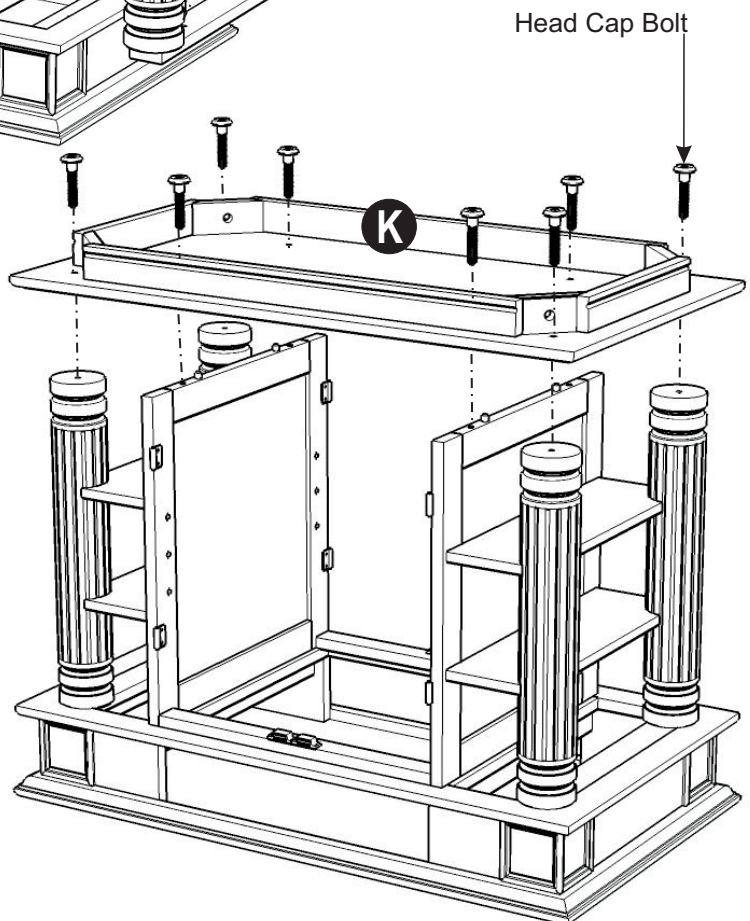


Figure 3



STEP 4

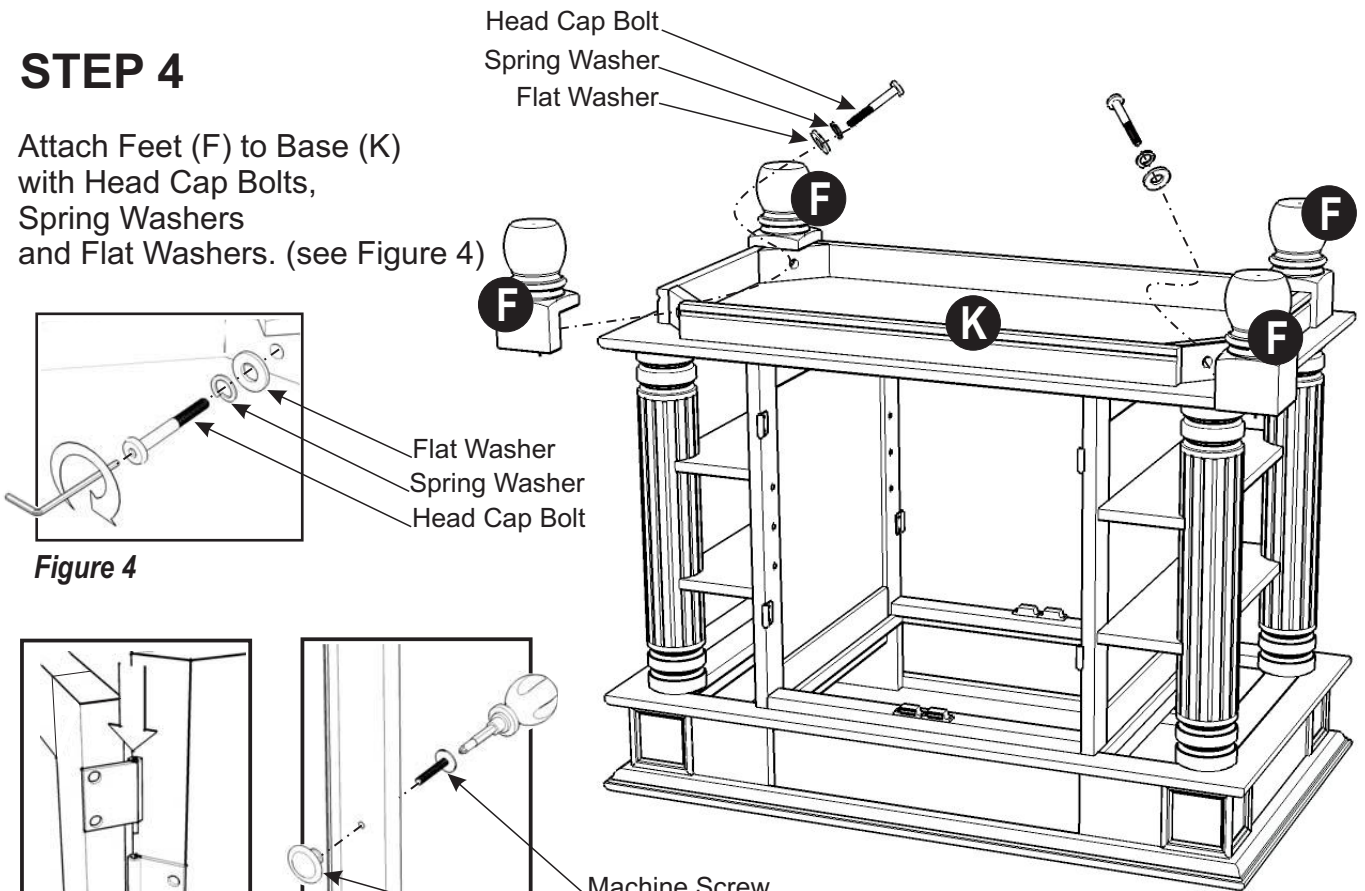
Attach Base (K) to unit with Head Cap Bolts.



Assembly Instructions 5/5

STEP 4

Attach Feet (F) to Base (K) with Head Cap Bolts, Spring Washers and Flat Washers. (see Figure 4)



STEP 4

Attach Doors (H) and (I) by sliding the door lift hinges into the side panel lift hinges. (see Figure 5)

Assemble Pull Handles to Doors (H), (I) and Drawer with Machine Screws. (see Figure 6)

Slide Drawer into place.

Insert Adjustable Pins into side panels at the desired level.

Place Shelf (J) into position.

