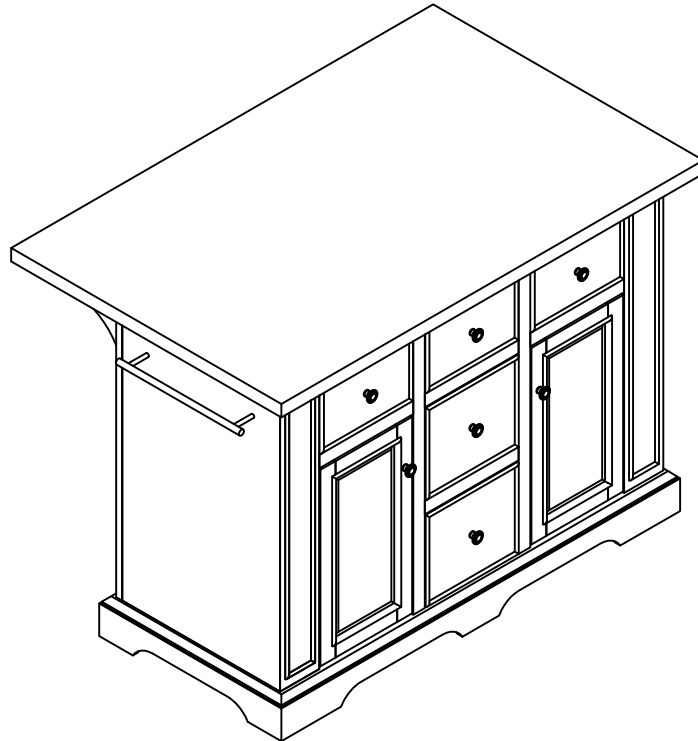
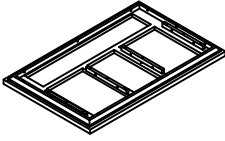
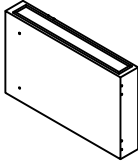
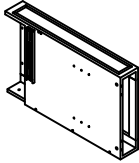
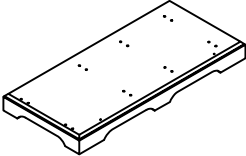
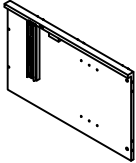
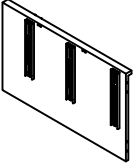
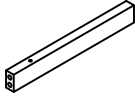
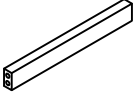
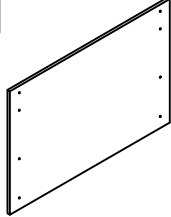
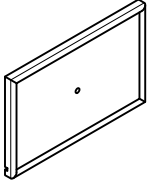
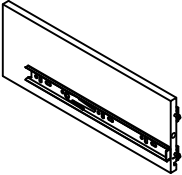
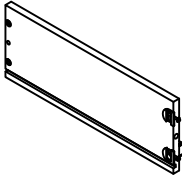
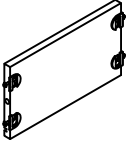
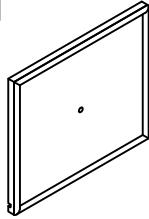
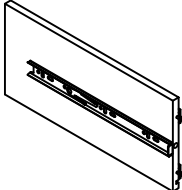
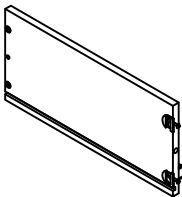
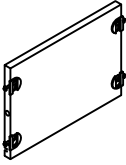
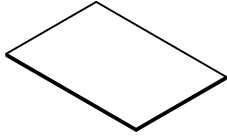
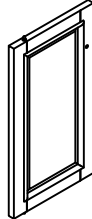
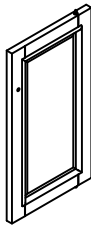
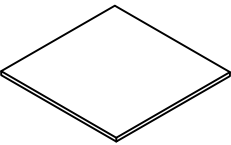
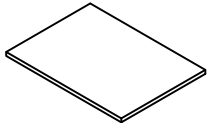

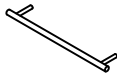




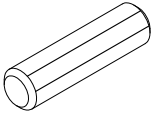
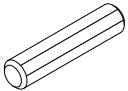
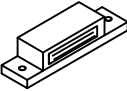
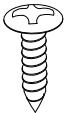

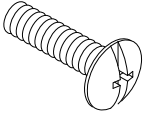
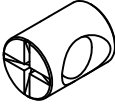
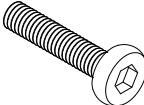
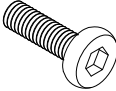
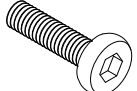


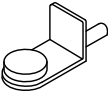
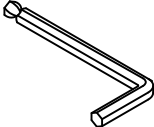
Kitchen Island
CF3025



PART LIST

<p>A</p> 	<p>B</p> 	<p>C</p> 	<p>D</p> 	<p>E</p> 
<p>Top Panel 1 PC</p>	<p>Left Panel 1 PC</p>	<p>Right Panel 1 PC</p>	<p>Bottom Panel 1 PC</p>	<p>Left Partition Panel 1 PC</p>
<p>F</p> 	<p>G</p> 	<p>H</p> 	<p>I</p> 	<p>J</p> 
<p>Right Partition Panel 1 PC</p>	<p>Front Rail 2 PCS</p>	<p>Front Middle Rail 2 PCS</p>	<p>Back Panel 1 PC</p>	<p>Small Drawer Front Panel 3 PCS</p>
<p>K</p> 	<p>L</p> 	<p>M</p> 	<p>N</p> 	<p>O</p> 
<p>Small Drawer Left Panel 3 PCS</p>	<p>Small Drawer Right Panel 3 PCS</p>	<p>Small Drawer Back Panel 3 PCS</p>	<p>Large Drawer Front Panel 2 PCS</p>	<p>Large Drawer Left Panel 2 PCS</p>
<p>P</p> 	<p>Q</p> 	<p>R</p> 	<p>S</p> 	<p>T</p> 
<p>Large Drawer Right Panel 2 PCS</p>	<p>Large Drawer Back Panel 2 PCS</p>	<p>Drawer Bottom Panel 5 PCS</p>	<p>Left Door Panel 1 PC</p>	<p>Right Door Panel 1 PC</p>
<p>U</p> 	<p>V</p> 	<p>W</p> 	<p>X</p> 	
<p>Left Adjustable Shelf 1 PC</p>	<p>Right Adjustable Shelf 1 PC</p>	<p>Support Panel 2 PCS</p>	<p>Towel Bar 2 PCS</p>	

HARDWARE LIST

<p>#1</p>  <p>Ø8*30mm</p>	<p>#2</p>  <p>Ø6*30mm</p>	<p>#3</p> 	<p>#4</p>  <p>12*Ø3**D6mm</p>	<p>#5</p> 
<p>Large Wood Dowel 32 PCS (Extra 1)</p>	<p>Small Wood Dowel 20 PCS (Extra 1)</p>	<p>Magnet 2 PCS</p>	<p>Round Head Screw 4 PCS (Extra 1)</p>	<p>Knob 7 PCS</p>
<p>#6</p>  <p>3/4**Ø5/32*D9mm</p>	<p>#7</p> 	<p>#8</p>  <p>2**Ø1/4**D11mm</p>	<p>#9</p>  <p>1**Ø1/4**D11mm</p>	<p>#10</p>  <p>1-1/4**Ø1/4** *D11mm</p>
<p>Round Head Bolt 7 PCS (Extra 1)</p>	<p>Barrel Nut 8 PCS</p>	<p>Long Bolt 12 PCS (Extra 1)</p>	<p>Short Bolt 4 PCS (Extra 1)</p>	<p>Bolt 12 PCS (Extra 1)</p>
<p>#11</p> 	<p>#12</p> 	<p>#13</p> 	<p>#14</p> 	
<p>Spring Washer 8 PCS (Extra 1)</p>	<p>Flat Washer 8 PCS (Extra 1)</p>	<p>Shelf Holder 8 PCS</p>	<p>Allen Wrench 1 PC</p>	

ADDITIONAL TOOLS (Not Provided)

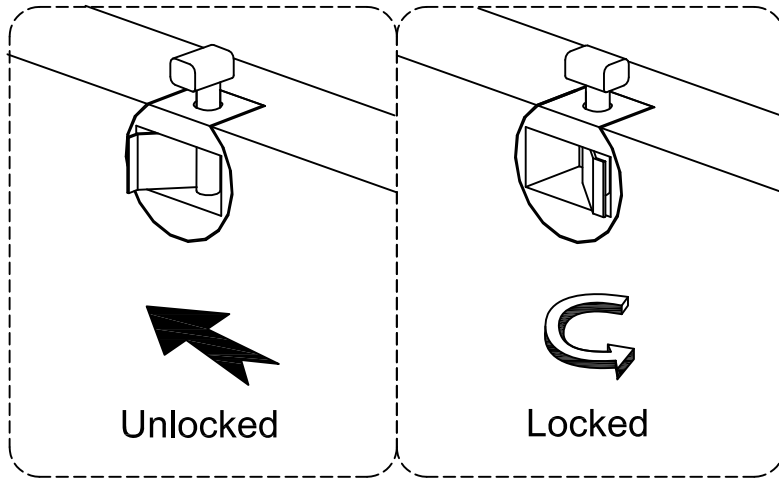
Note: It is not recommended to use power tools during assembly.



Phillips Head Screwdriver

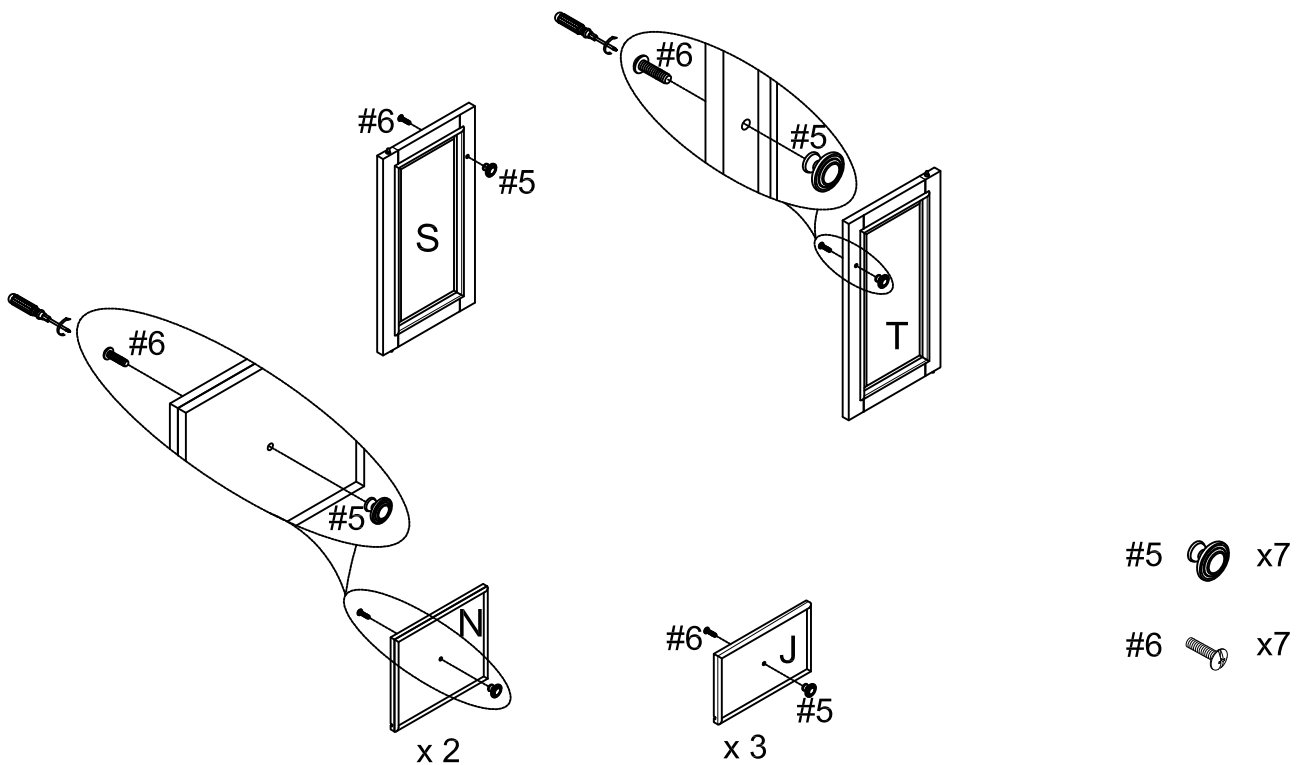
Note: Wood dowels are intended for alignment. Additional clearance between wood dowel and pre-drilled hole is intentional for ease of assembly.

Please do not use tools to assemble this unit unless specifically indicated.

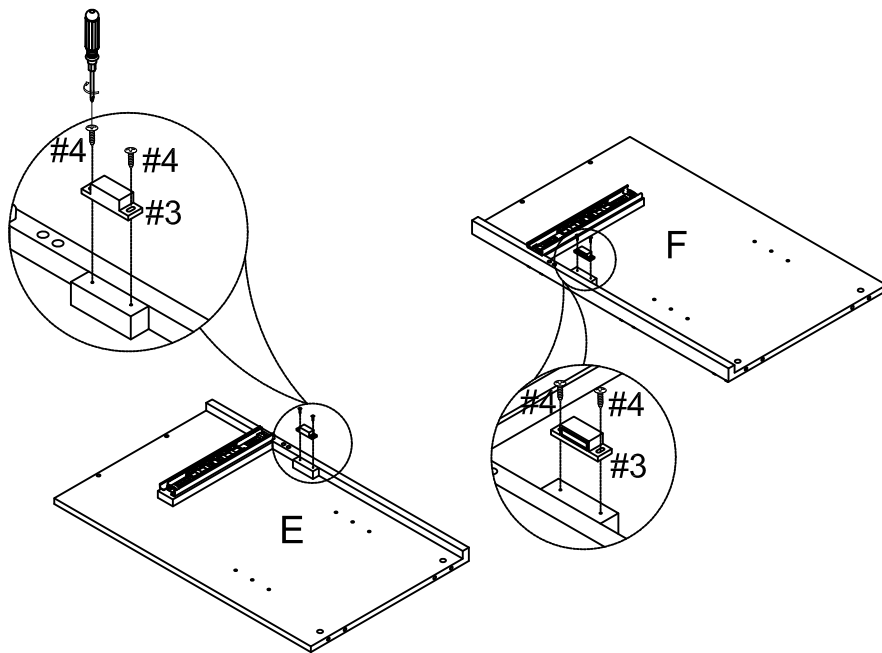




Reference the images above any time the instructions state "lock the hardware".
Note: Be sure to check all hardware is locked when completed.

Step 1. Attach knobs (part #5) to door panels (parts S & T) and drawer front panels (parts J & N) using round head bolts (part #6) and phillips head screwdriver.

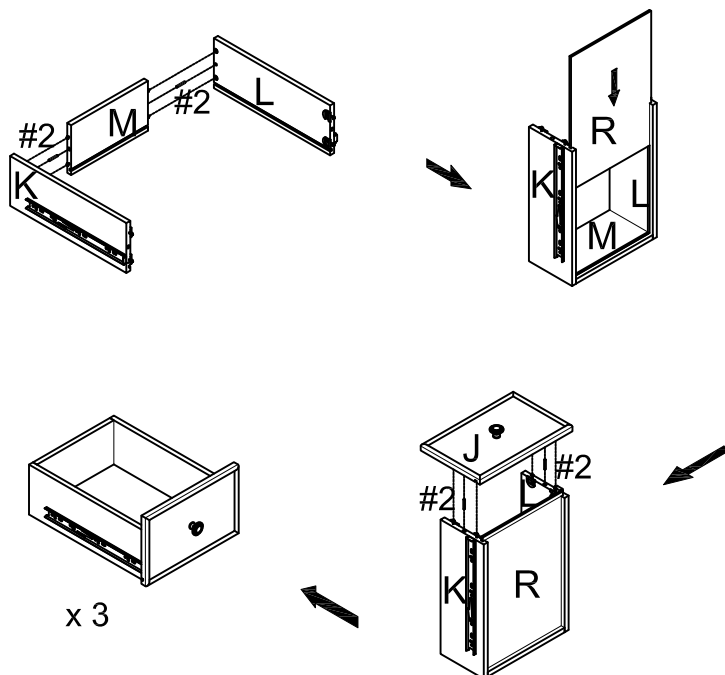


Step 2. Attach magnets (part #3) to partition panels (parts E & F) using round head screws (part #4) and phillips head screwdriver.



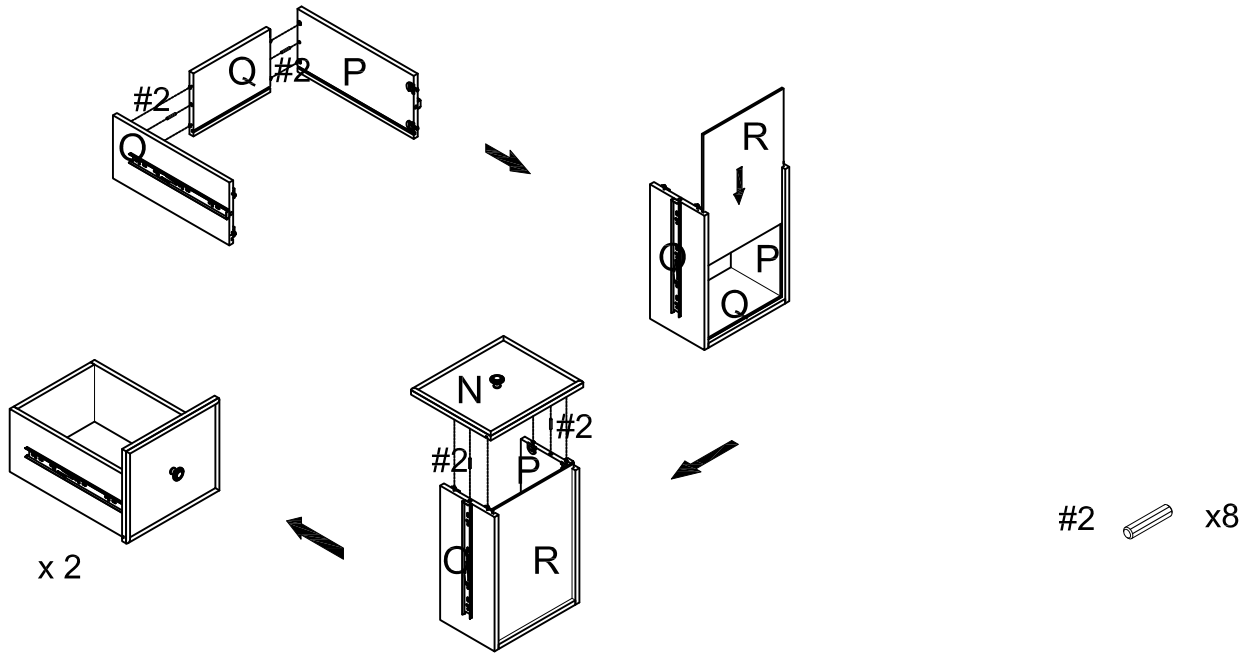
- #3  x2
- #4  x4

Step 3. Attach small drawer panels (parts K & L) to small drawer back panel (part M) using small wood dowels (part #2) and lock the hardware. Slide drawer bottom panel (part R) into grooves of assembled unit (parts K, L & M). Attach small drawer front panel (part J) to assembled unit (parts K, L & R) using small wood dowels (part #2) and lock the hardware. Repeat for remaining drawers.

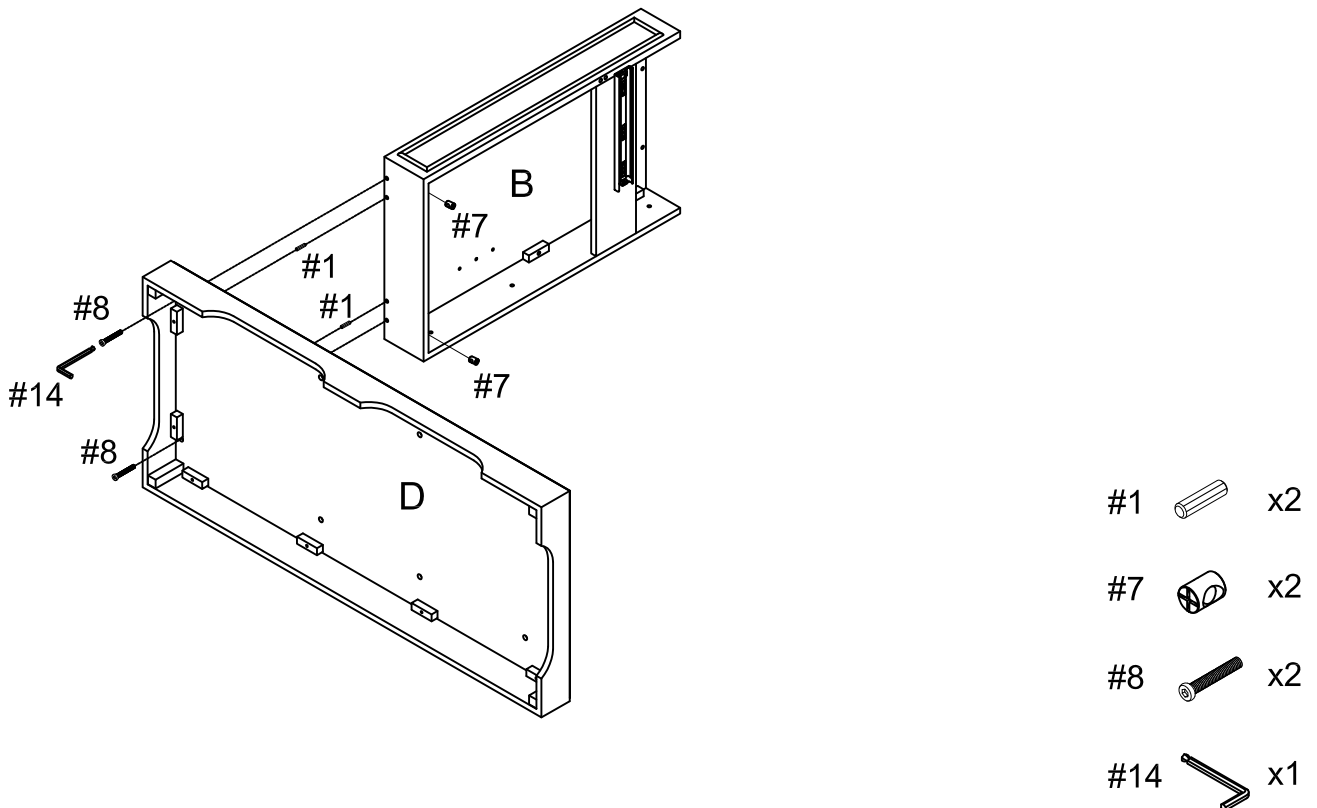


- #2  x12

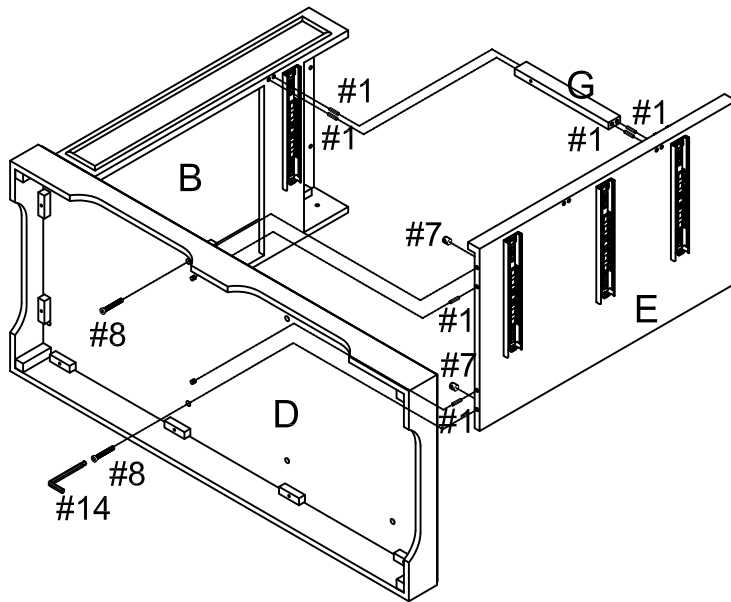
Step 4. Attach large drawer panels (parts O & P) to large drawer back panel (part Q) using small wood dowels (part #2) and lock the hardware. Slide drawer bottom panel (part R) into grooves of assembled unit (parts O, P & Q). Attach large drawer front panel (part N) to assembled unit (parts O, P & R) using small wood dowels (part #2) and lock the hardware. Repeat for remaining drawer.

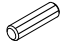





Step 5. Attach left panel (part B) to bottom panel (part D) using large wood dowels (part #1), barrel nuts (part #7), long bolts (part #8) and allen wrench (part #14).

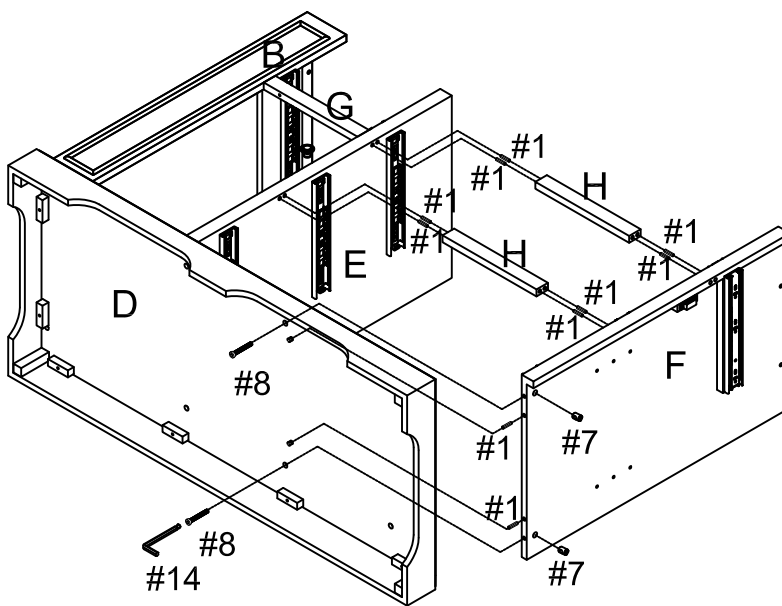






Step 6. Attach front rail (part G) to left panel (part B) using large wood dowels (part #1). Attach left partition panel (part E) to front rail (part G) and bottom panel (part D) using large wood dowels (part #1), barrel nuts (part #7), long bolts (part #8) and allen wrench (part #14).



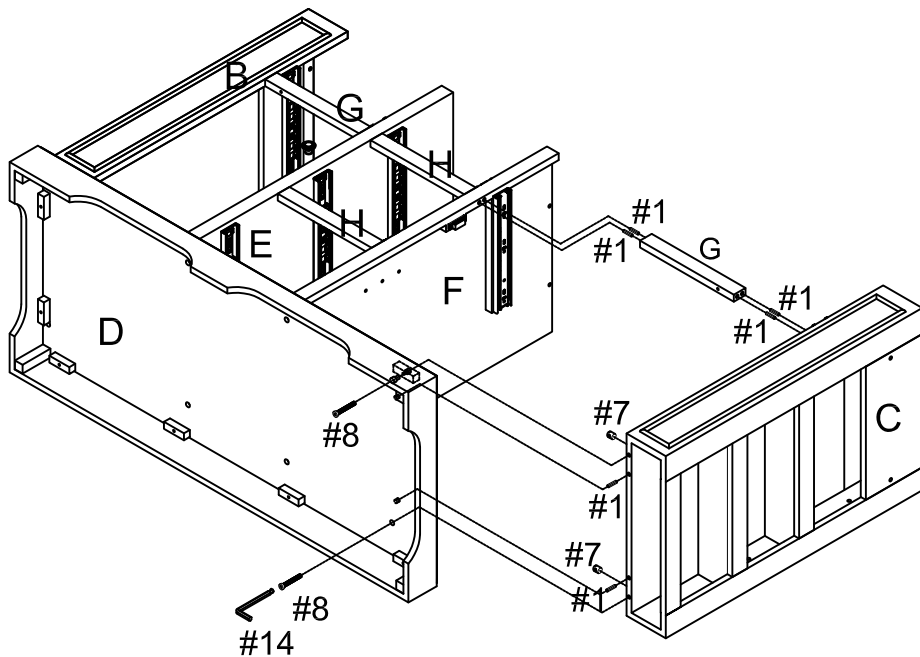
- #1  x6
- #7  x2
- #8  x2
- #14  x1

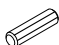



Step 7. Attach front middle rails (part H) to left partition panel (part E) using large wood dowels (part #1). Attach right partition panel (part F) to front middle rails (part H) and bottom panel (part D) using large wood dowels (part #1), barrel nuts (part #7), long bolts (part #8) and allen wrench (part #14).



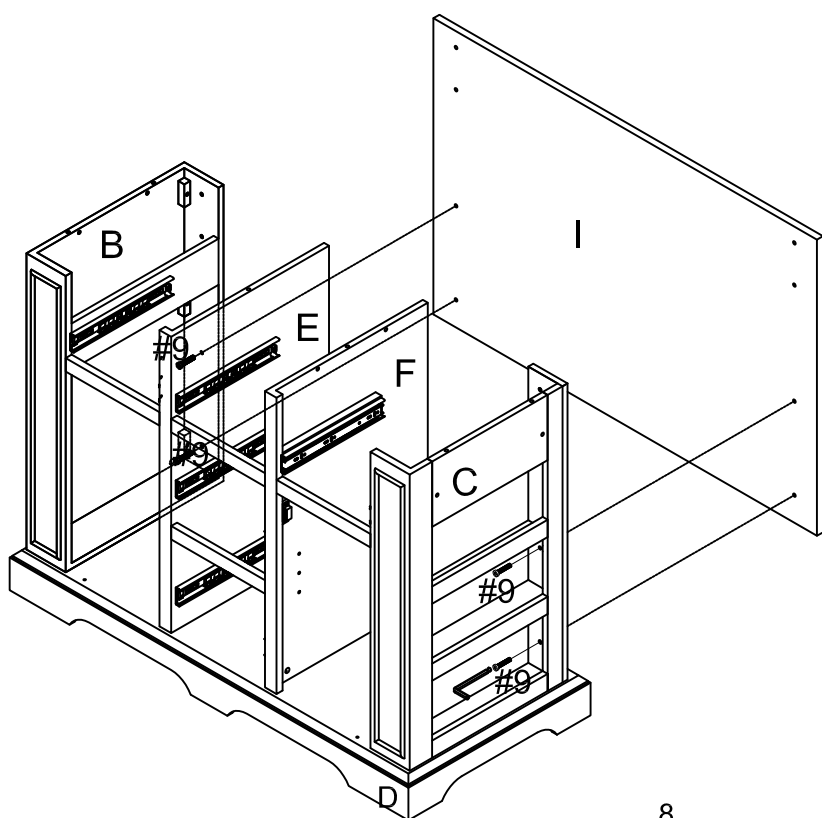
- #1  x10
- #7  x2
- #8  x2
- #14  x1



Step 8. Attach front rail (part G) to right partition panel (part F) using large wood dowels (part #1). Attach right panel (part C) to front rail (part G) and bottom panel (part D) using large wood dowels (part #1), barrel nuts (part #7), long bolts (part #8) and allen wrench (part #14).



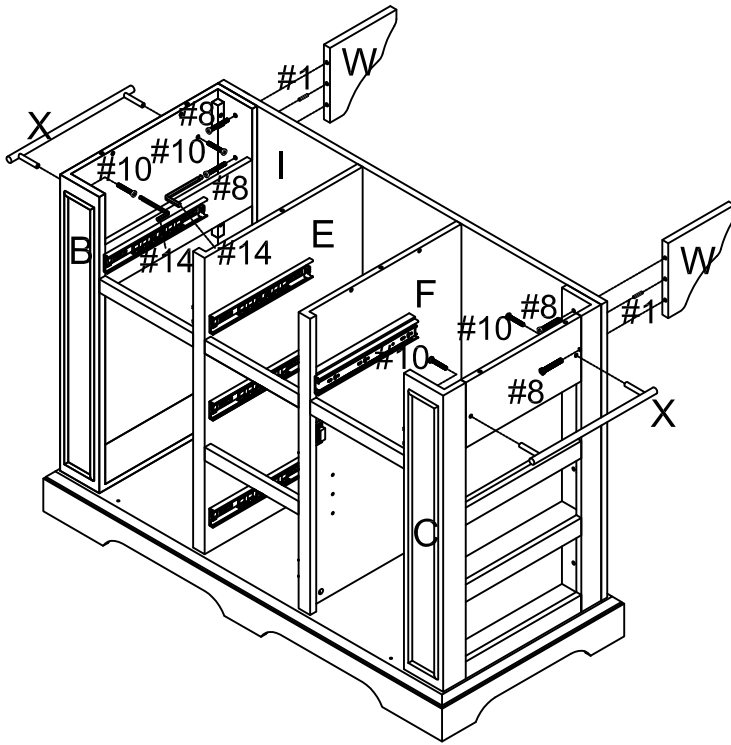
- #1  x6
- #7  x2
- #8  x2
- #14  x1





Step 9. Carefully turn unit upright. Attach back panel (part I) to assembled unit (parts B, C, E & F) using short bolts (part #9) and allen wrench (part #14).



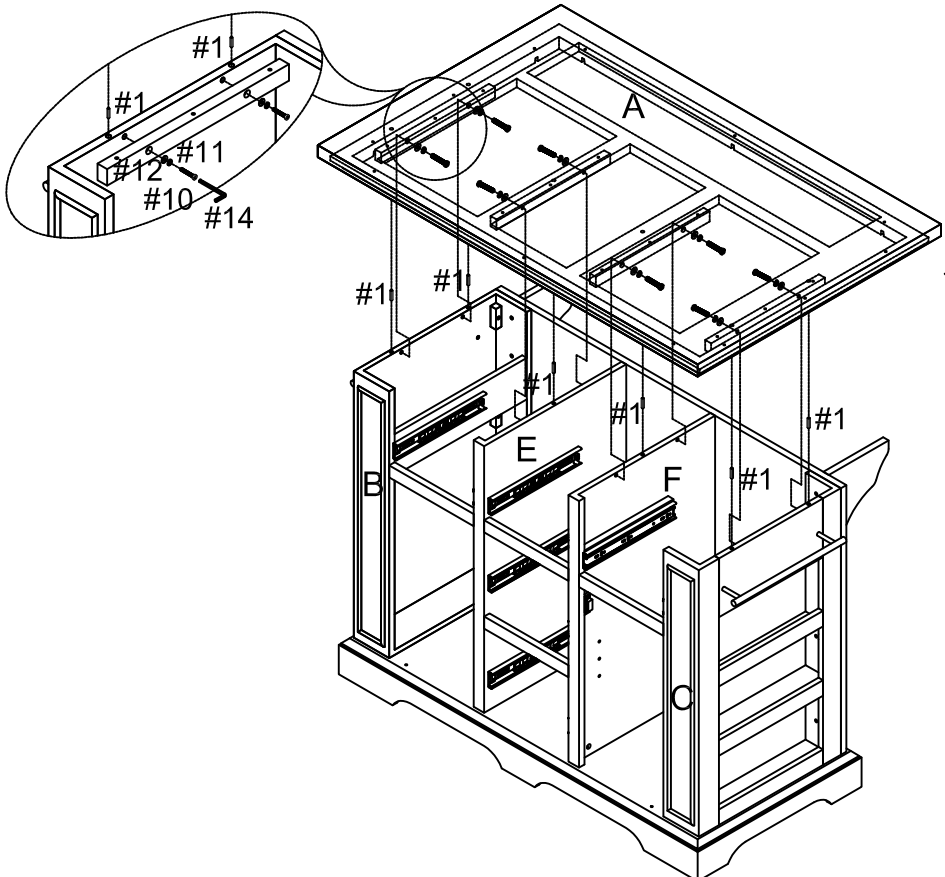
- #9  x4
- #14  x1



Step 10. Attach towel bars (part X) to left panel (part B) and right panel (part C) using bolts (part #10) and allen wrench (part #14). Attach support panels (part W) to back panel (part I) using large wood dowels (part #1), long bolts (part #8) and allen wrench (part #14).



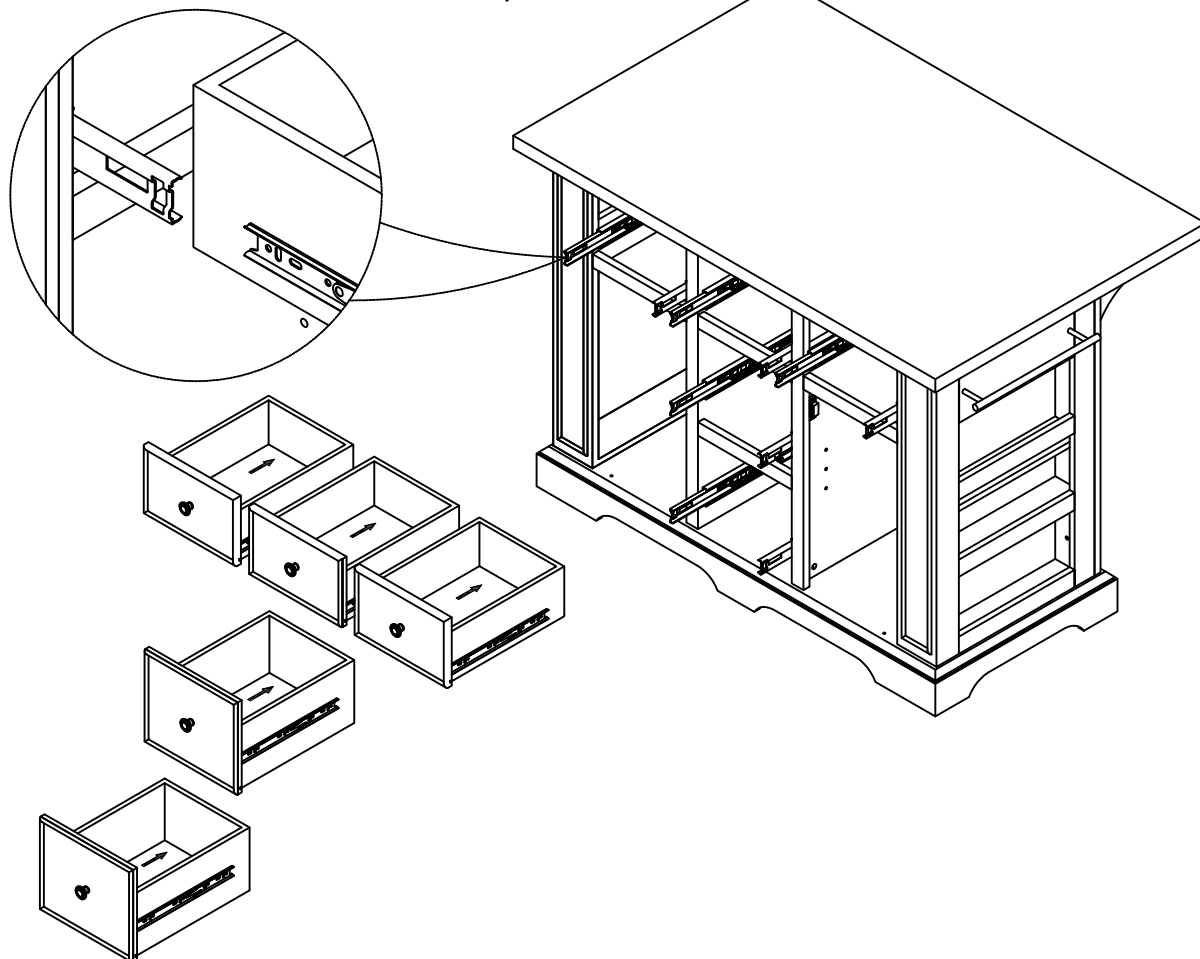
- #1  x2
- #8  x4
- #10  x4
- #14  x1

Step 11. Attach top panel (part A) to assembled unit (parts B, C, E, F & I) using large wood dowels (part #1), flat washers (part #12), spring washers (part #11), bolts (part #10) and allen wrench (part #14).

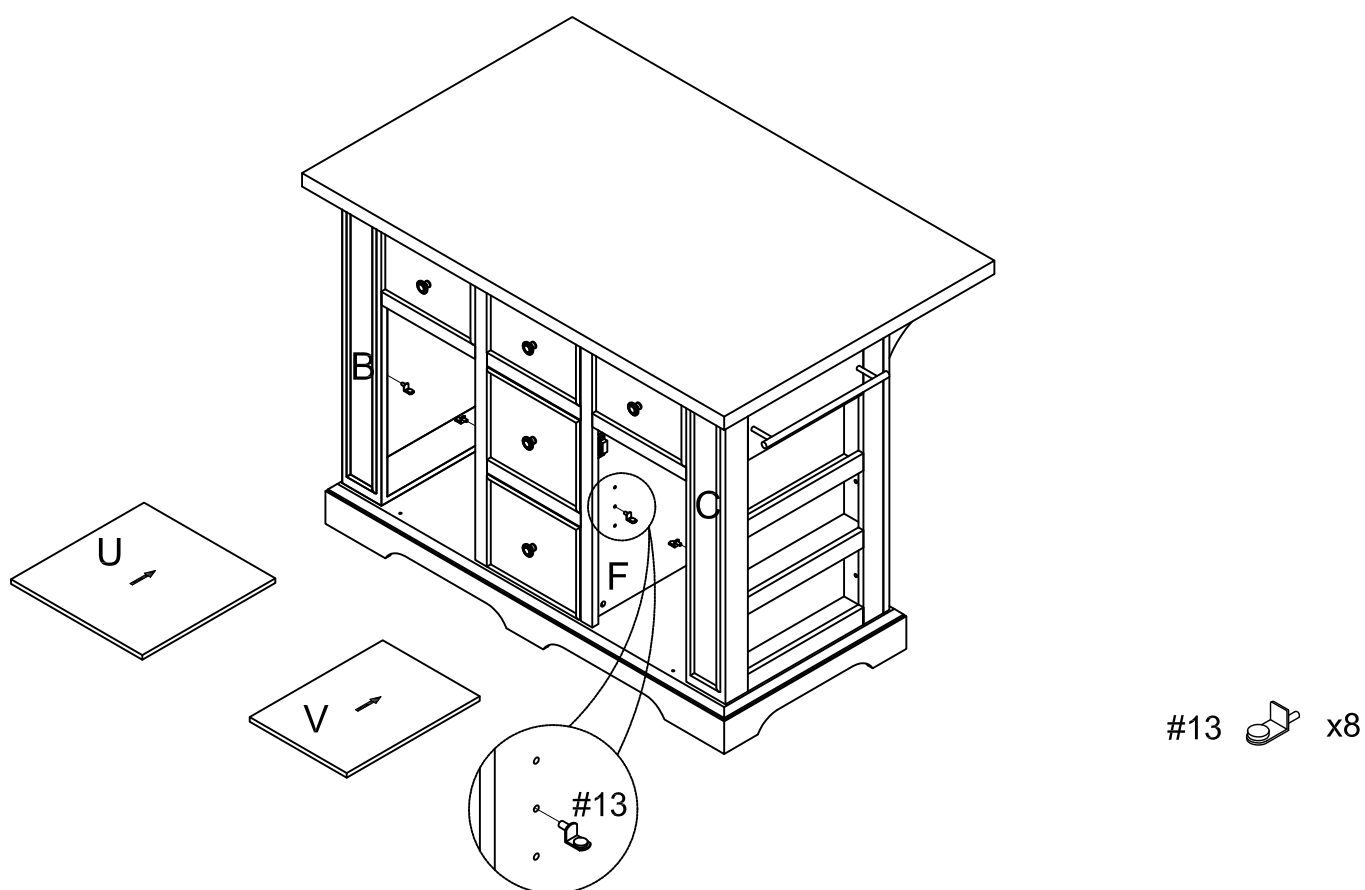


- #1  x6
- #10  x8
- #11  x8
- #12  x8
- #14  x1

Step 12. Slide assembled drawers into place.



Step 13. Place shelf holders (part #13) into desired position and then slide left adjustable shelf (part U) and right adjustable shelf (part V) into place.



Step 14. Attach door panels (parts S & T) by placing bottom pin hinges (pre-installed in door) in the pre-drilled holes of bottom panel (part D). Then depress the top spring-loaded pin hinge so it can be placed in the pre-drilled holes of front rails (part G).

Note: Be sure top and bottom pin hinges are fully extended to secure doors in place.

