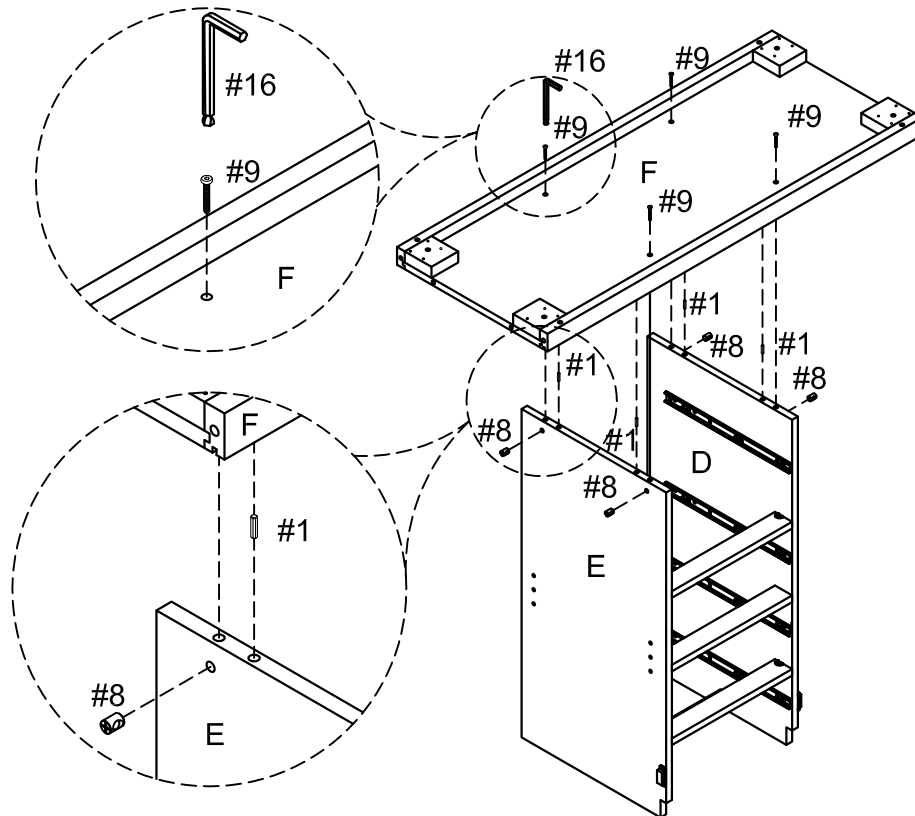
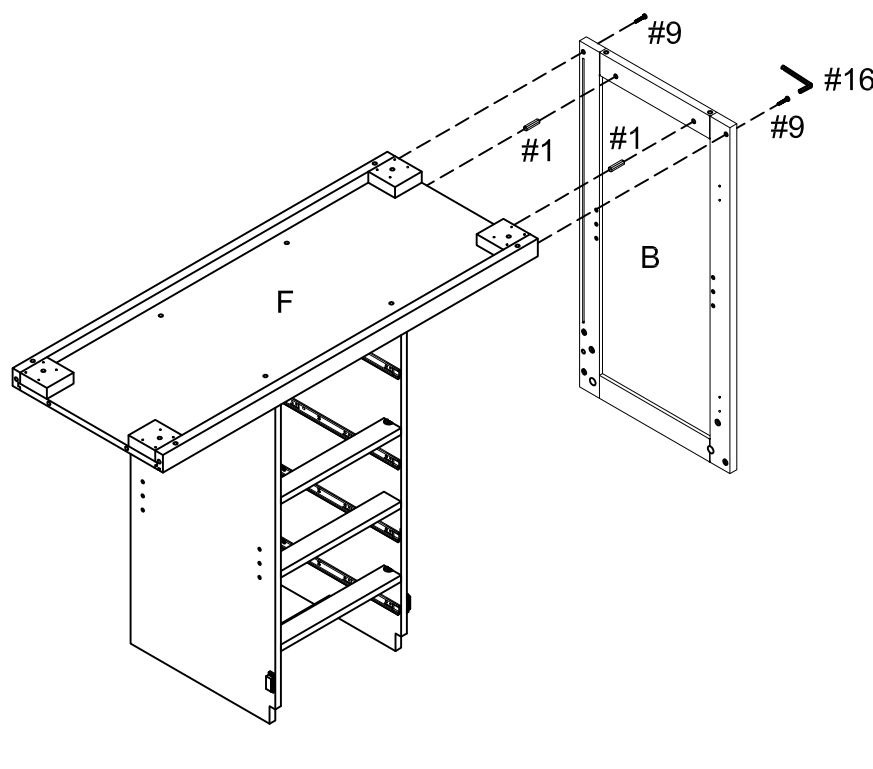


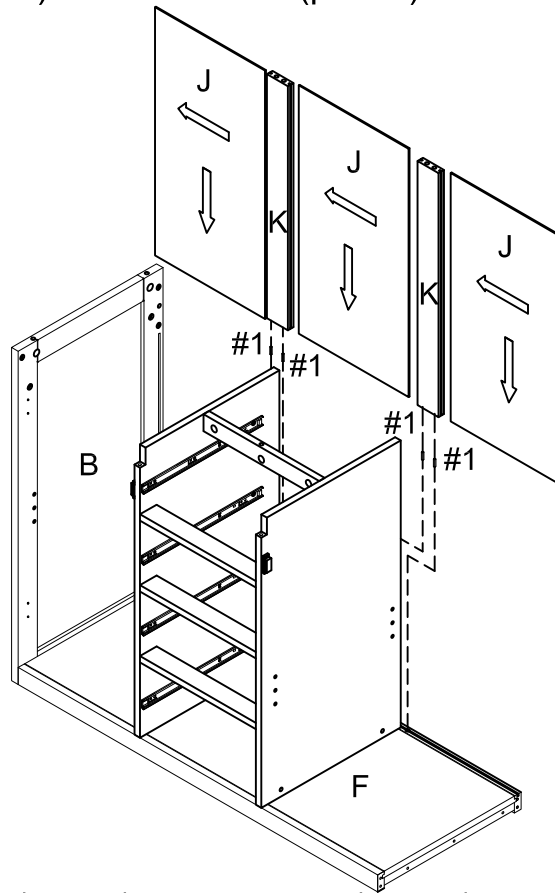
Step 8. Attach bottom panel (part F) to left partition panel (part D) and right partition panel (part E) using large wood dowels (part #1), long bolts (part #9), barrel nuts (part #8) and allen wrench (part #16).



Step 9. Attach left side panel (part B) to bottom panel (part F) using large wood dowels (part #1), long bolts (part #9) and allen wrench (part #16).

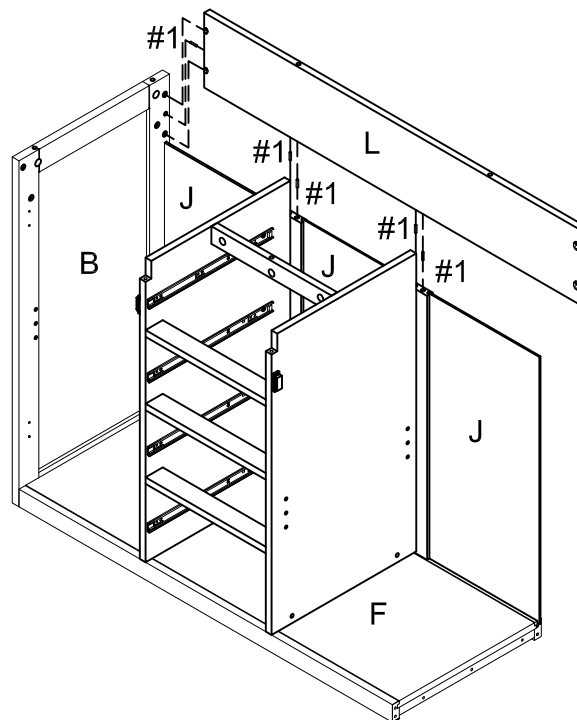


Step 10. Carefully turn unit upright. Attach back rails (part K) to bottom panel (part F) using large wood dowels (part #1). Slide back panels (part J) into grooves of left side panel (part B) and back rails (part K).



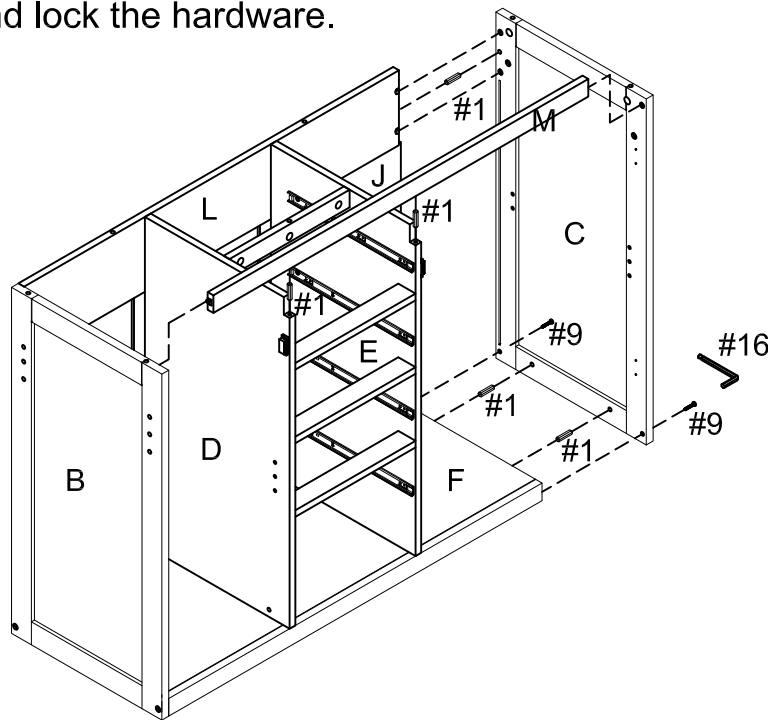
#1  x 4

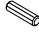


Step 11. Attach back top rail (part L) to back rails (part K), back panels (part J) and left side panel (part B) using large wood dowels (part #1) and lock the hardware.



#1  x 5

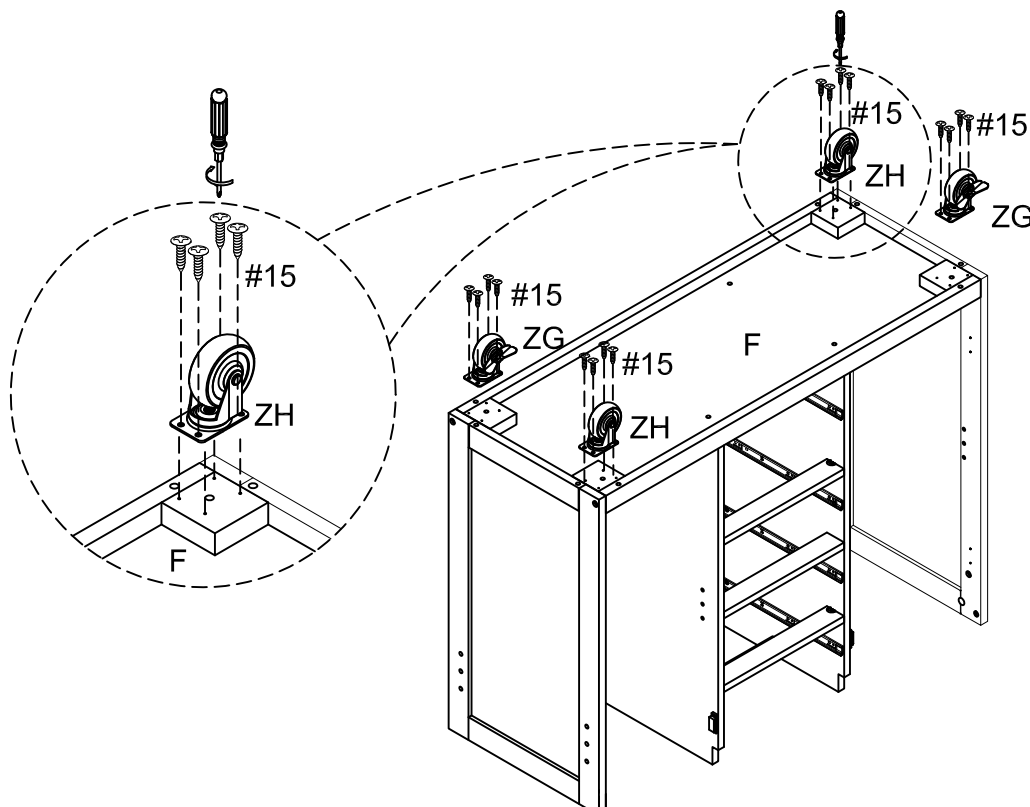
Step 12. Attach front top rail (part M) to left partition panel (part D), right partition panel (part E) and left side panel (part B) using large wood dowels (part #1) and lock the hardware. Attach right side panel (part C) to front top rail (part M), back top rail (part L), back panel (part J) and bottom panel (part F) using large wood dowels (part #1), long bolts (part #9), allen wrench (part #16) and lock the hardware.



- #1  x 5
- #9  x 2
- #16  x 1

### Step 13. CASTER INSTALLATION

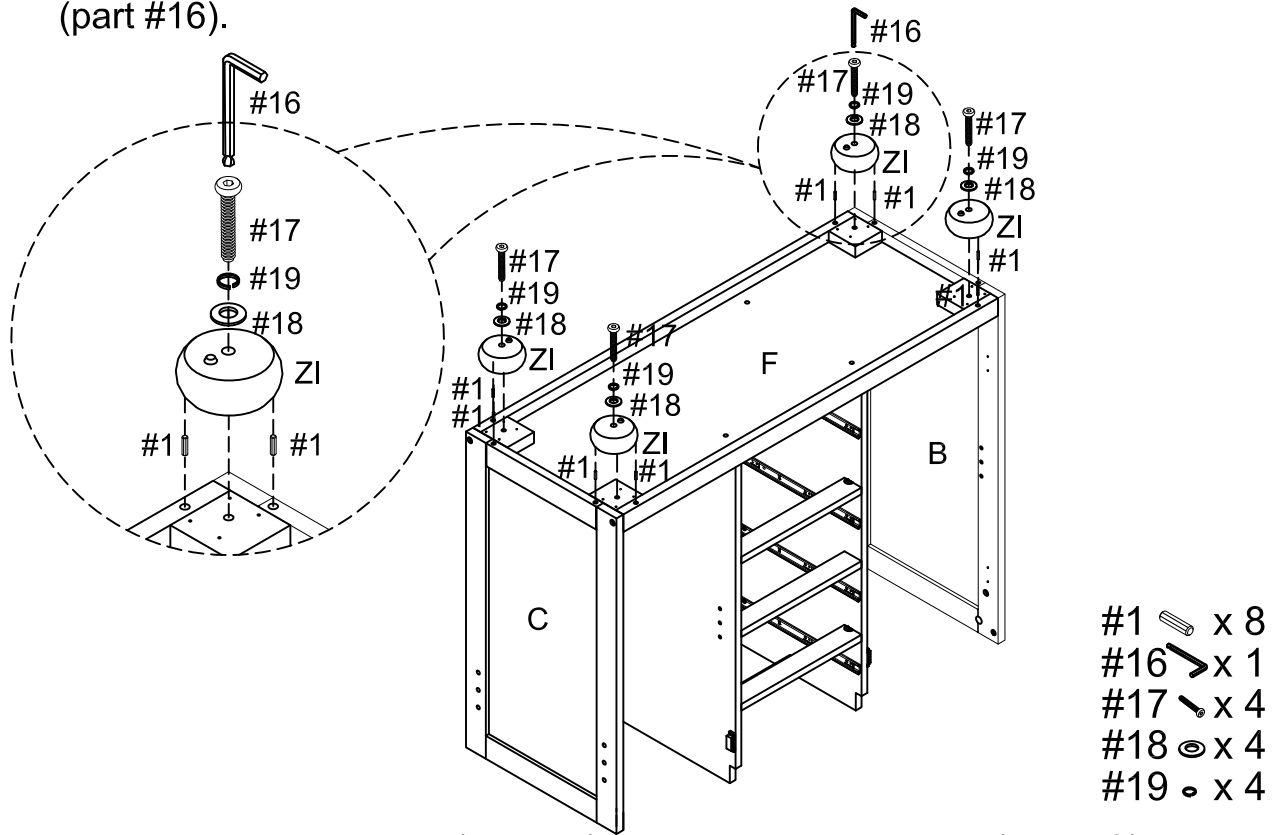
Attach locking casters (part ZG) and casters (part ZH) to bottom panel (part F) using large round head screws (part #15) and phillips head screwdriver.



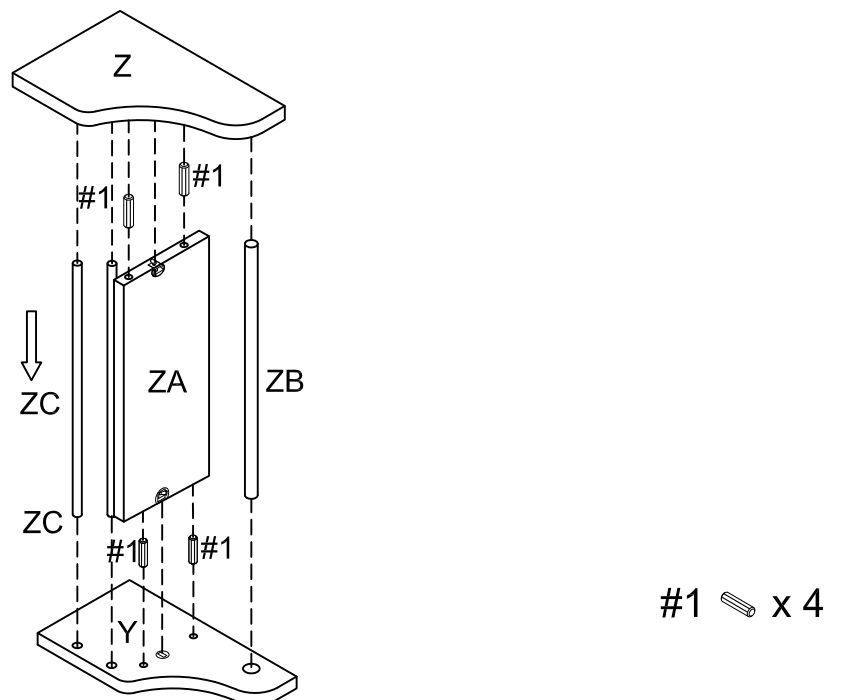
- #15  x 16

### Step 14. LEG INSTALLATION

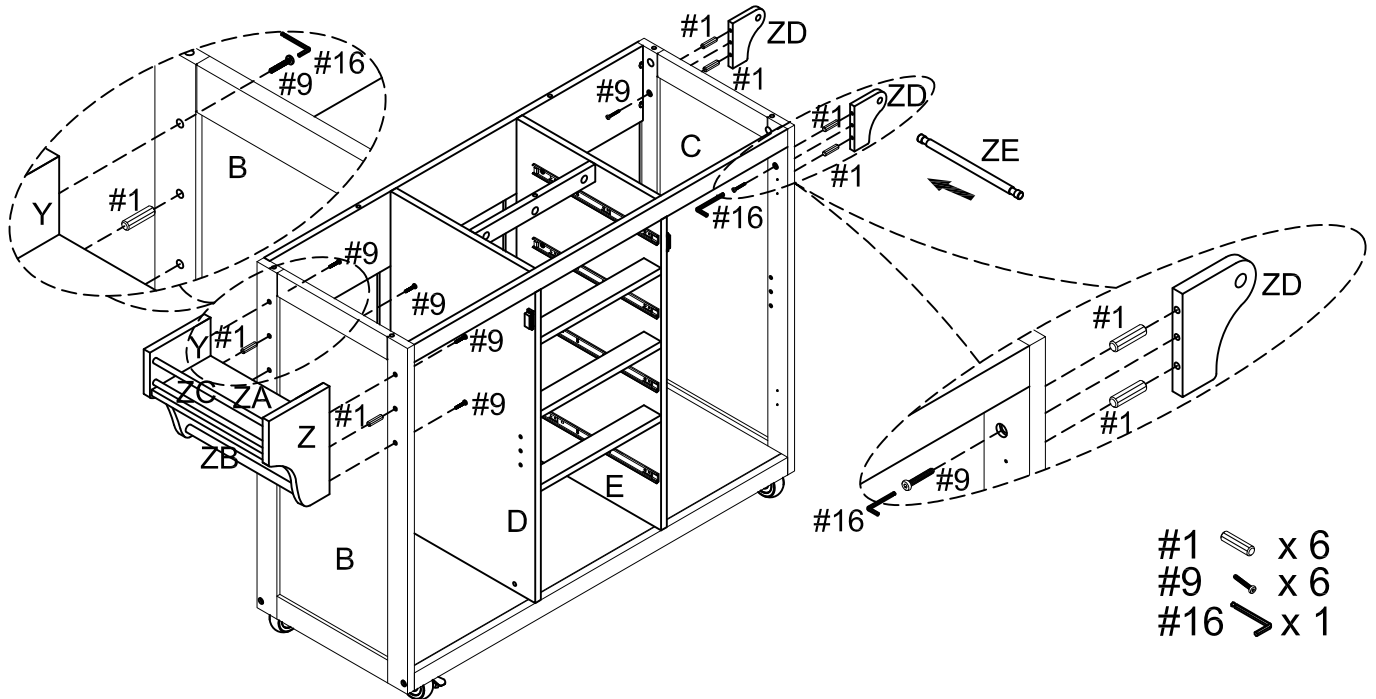
Attach legs (part ZI) to left side panel (part B), right side panel (part C) and bottom panel (part F) using large wood dowels (part #1), flat washers (part #18), spring washers (part #19), short bolts (part #17) and allen wrench (part #16).



Step 15. Insert large support bar (part ZB) and small support bars (part ZC) into pre-drilled holes of towel bar right side panel (part Z). Attach towel bar support panel (part ZA) to towel bar right side panel (part Z) using large wood dowels (part #1) and lock the hardware. Attach towel bar left side panel (part Y) to towel bar support panel (part ZA), large support bar (part ZB) and small support bars (part ZC) using large wood dowels (part #1) and lock the hardware.

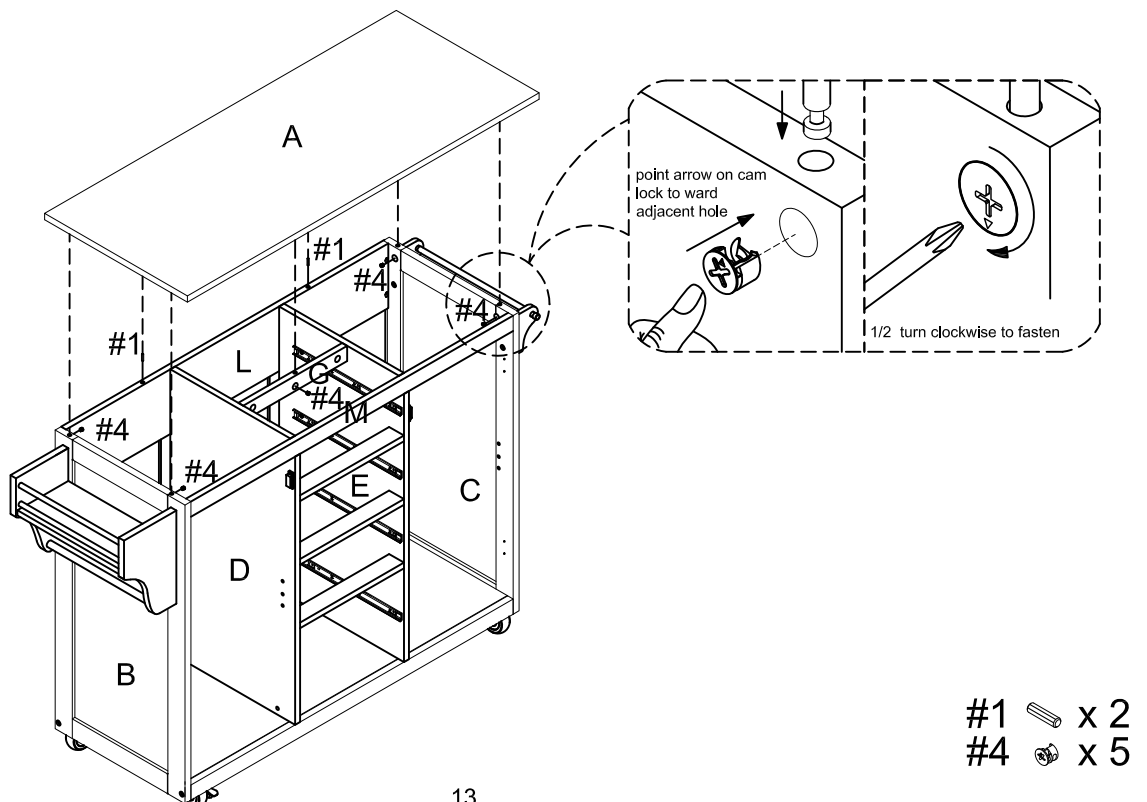


Step 16. Attach assembled unit (parts Y, Z, ZA, ZB & ZC) to left side panel (part B) using large wood dowels (part #1), long bolts (part #9) and allen wrench (part #16). Attach small towel bar panels (part ZD) to right side panel (part C) using large wood dowels (part #1), long bolts (part #9) and allen wrench (part #16). Insert small towel bar (part ZE) through the holes of small towel bar panels (part ZD).

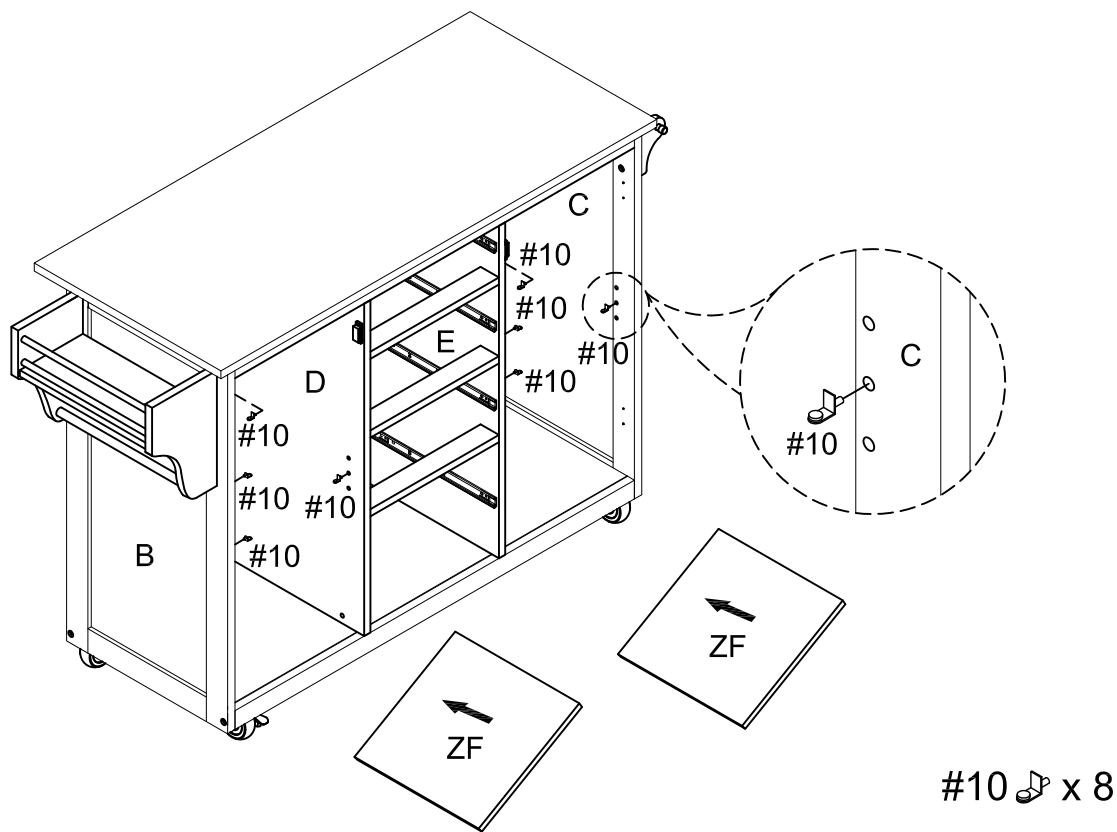


Step 17. Attach top panel (part A) to assembled unit (parts B, C, G, L & M) using large wood dowels (part #1) and cam locks (part #4).

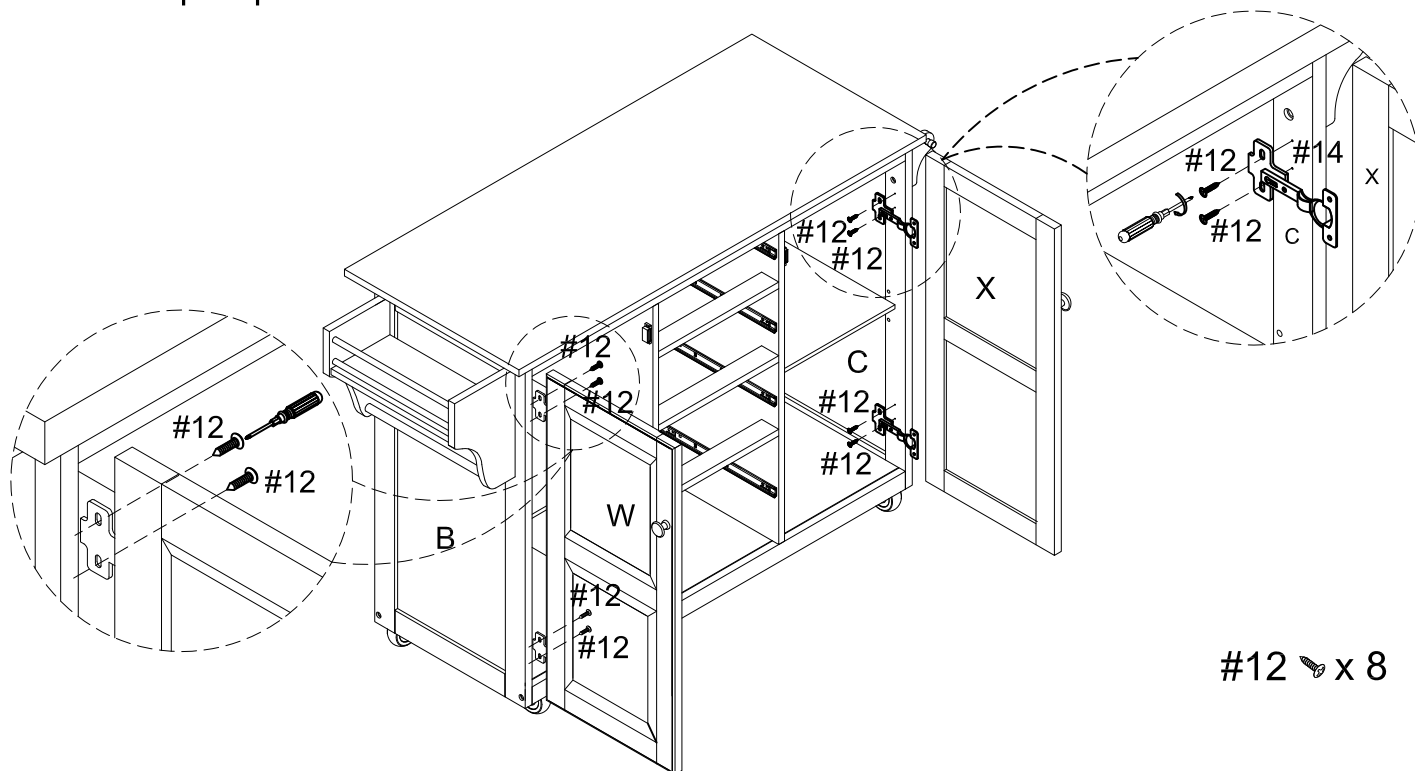
NOTE: Cam locks must rotate a full 180°. See pictured insert.



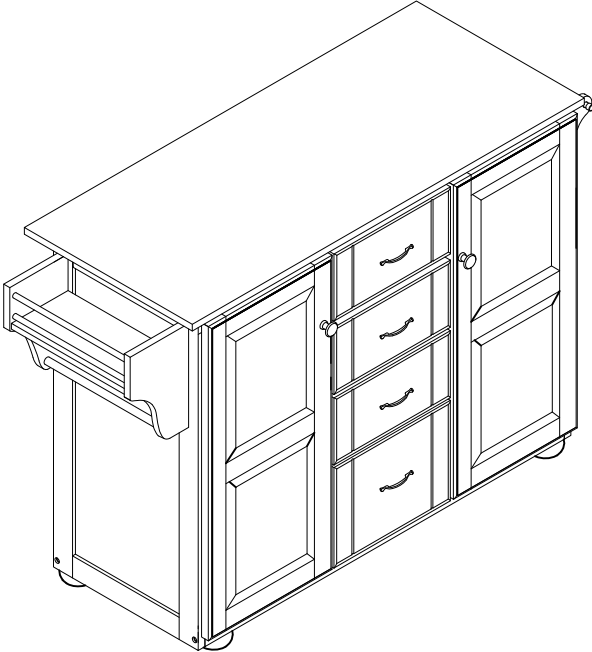
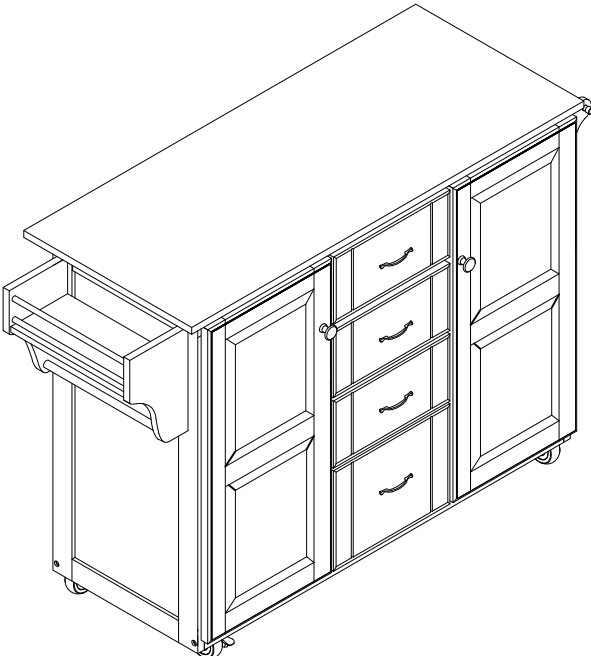
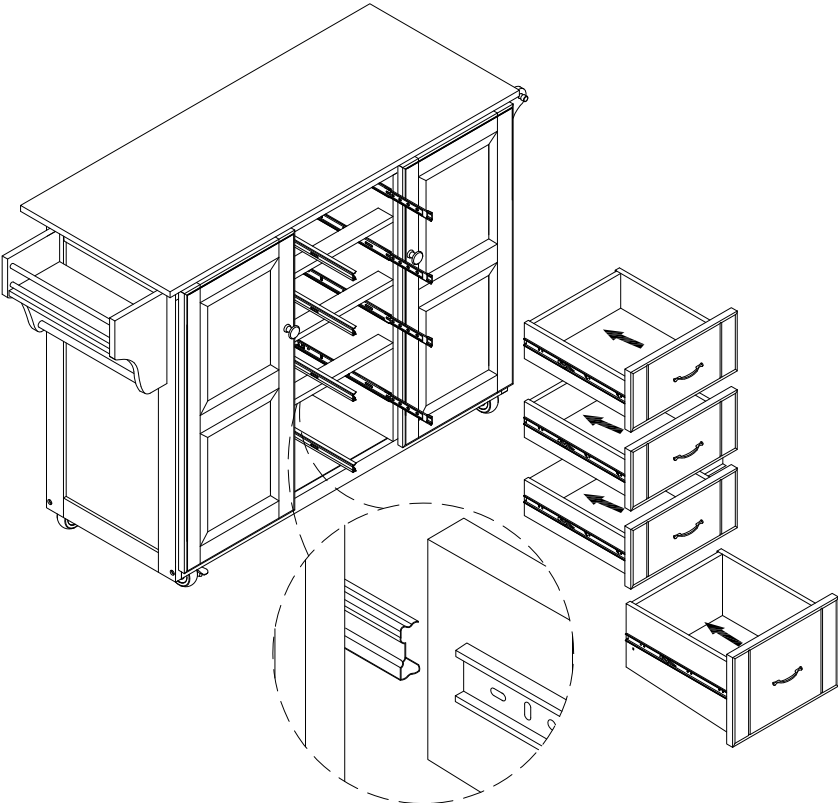
Step 18. Place shelf holders (part #10) into desired position and then slide adjustable shelves (part ZF) into place.



Step 19. Attach right door panel (part X) to right side panel (part C) using installed door hinges (part #14), small round head screws (part #12) and phillips head screwdriver. Attach left door panel (part W) to left side panel (part B) using installed door hinges (part #14), small round head screws (part #12) and phillips head screwdriver.



Step 20. Slide assembled drawers into place.

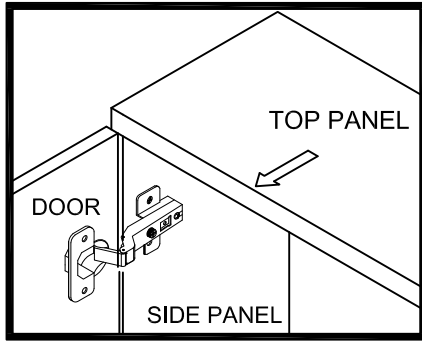




# ADJUST YOUR DOORS TO MAKE THE GAPS MORE EVEN (OPTIONAL).

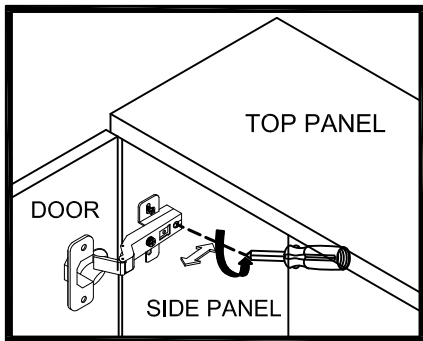
## STEP 1

Open the door.



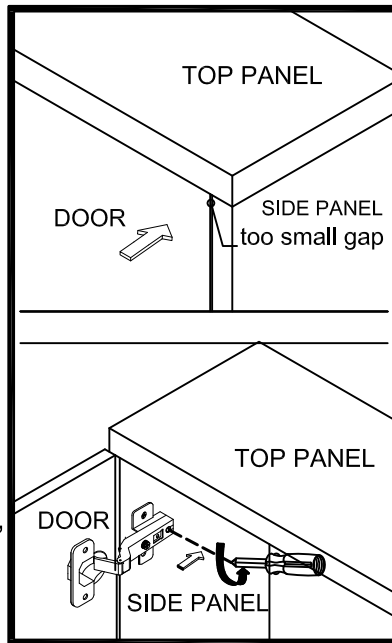
## STEP 2

Adjust the gap between door panel and side panel



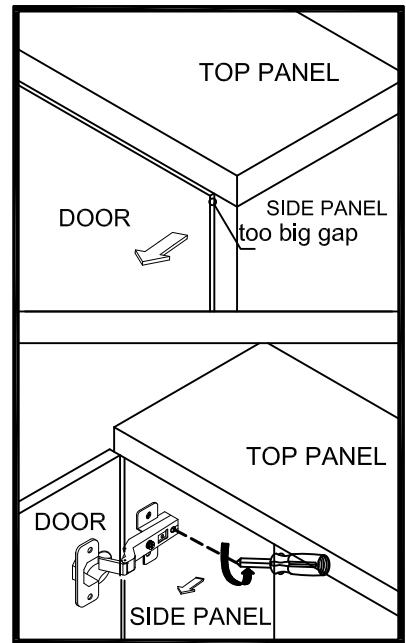
Loosen the screw indicated a little, adjust the hinge to right position (see step 2a & 2b), then tighten the screw.

### STEP 2a MOVE DOOR IN



Push the hinge back a little.

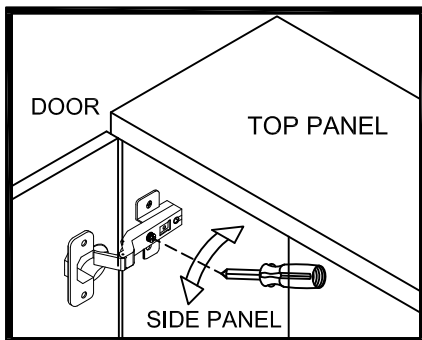
### STEP 2b MOVE DOOR OUT



Pull the hinge forward a little.

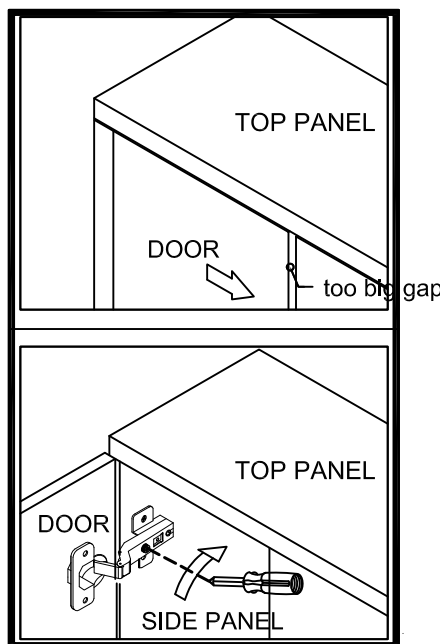
## STEP 3

To adjust the gap between two door



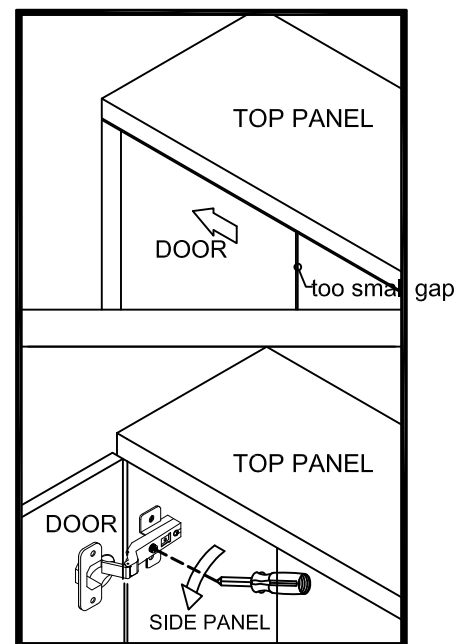
Loosen or tighten the screw indicated a little to adjust the gap between doors panels (see step 3a & step 3b)

### STEP 3a MOVE DOOR RIGHT



Turn the screw clockwise a little as shown to make the gap small.

### STEP 3b MOVE DOOR LEFT



Turn the screw counterclockwise a little as shown to make the gap big.