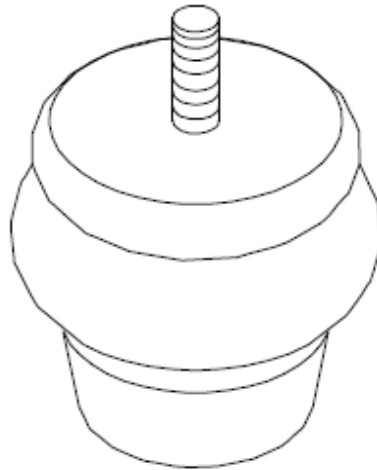


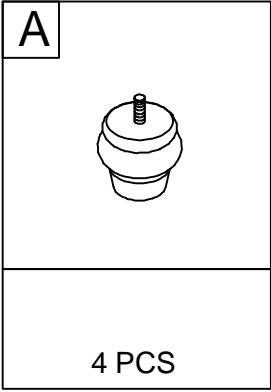


Turned Leg

CF0104



PART LIST



step 1. Attach turned leg to cabinet bottom. Turn Turned Leg clockwise until tight.

