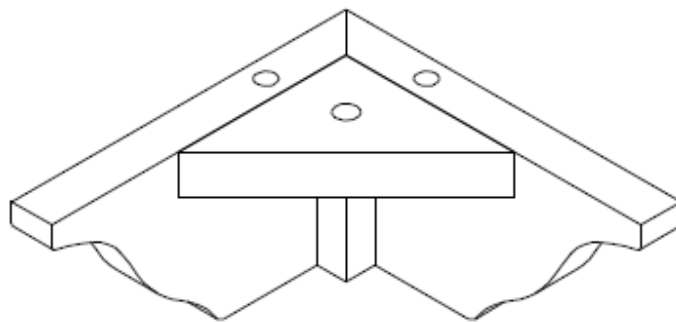


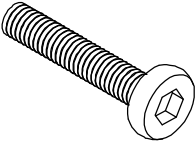
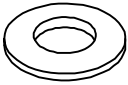

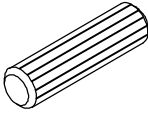


## Classic Leg

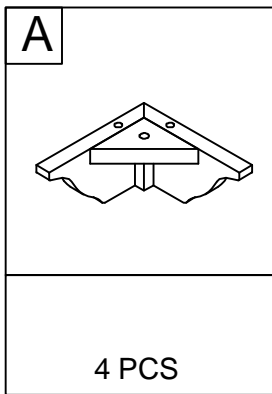
CF0102



# HARDWARE LIST

			
<p>HEX SOCKET HEAD BOLT 4 PCS</p>	<p>FLAT WASHER 4 PCS</p>	<p>SPRING WASHER 4 PCS</p>	<p>WOOD DOWEL 8 PCS</p>

# PART LIST



step 1. Insert Wood Dowel (4) into two pre-drilled side holes on Classic Leg A. Attach classic leg to cabinet bottom, insert Hex Socket Head Bolt (part#1) with Spring Washer (part#3) and Flat Washer (part#2) through Classic Leg A. Turn bolts clockwise with Allen Wrench until tight.

