



"BAK" Maple Top Tables with RISERS

w/ 1 3/4" thick Hard Rock Maple Top
 w/ Stainless Steel Base and Undershef



AUTOQUOTES



1 3/4" MAPLE TOP
 w/ UNDERSHELF and
 BUN PAN RACK

**** Drawers available
 ONLY on BAK02,BAK03 &
 BAK05**

FEATURES:

- * 1 3/4" Thick Hard Rock Maple Top, style "SB" with 4" Covered Riser on Back and Both Ends
- * Maple top with Oil Finish with optional Varnique Finish
- * Stainless Steel Base, Undershef and Bun Pan Rack type 300 stainless steel, with # 4 polish, satin finish
- * Stainless steel Bun Pan Rack hold's 8-18"x26" pans
- * Undershef is secured in a fixed position, 12" above floor
- * Adjustable bullet feet
- * Shipped knocked-down, easy - to - assemble
- * Optional drawers, casters, pot racks, etc. available
- * All models are approved by the National Sanitation Foundation

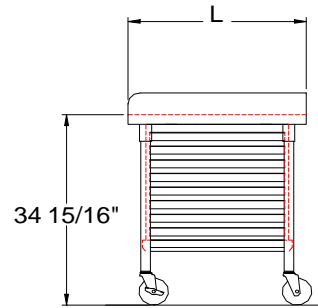
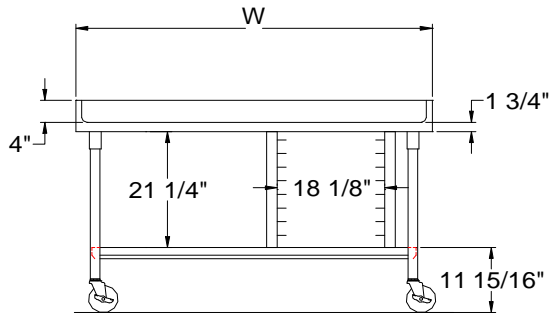
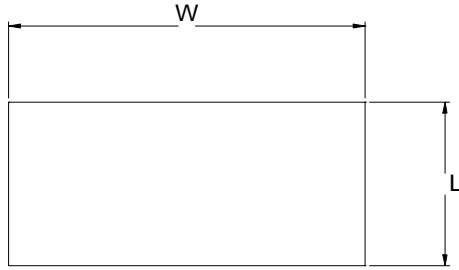
MATERIAL:

- Top: Laminated Hard Rock Maple
- Shelf: 18 gauge type 300 stainless steel, # 4 polish, satin finish
- Rack: 18 gauge type 300 stainless steel, # 4 polish, satin finish
- Legs: 1 5/8" Round O.D. 16 gauge type 300 tubular stainless steel # 4 polish, satin finish
- Gussets: Stainless Steel
- Casters: 5" casters non marking

OPTIONAL ACCESSORIES

	MODEL #	Qty
STAINLESS STEEL FEET		
DRAWER		
DRAWER LOCK		
OVERSHELVES		
POT RACK		

DETAILED SPECIFICATIONS



All units ship unassembled for reduced shipping cost.
Units 7 ft. and larger are furnished with six legs.
All dimensions are typical.
Tolerance +/- .500".

Finished size of undershelf.
Shelf length = length minus 4.25"
Shelf width = width minus 4.875"

1 3/4" MAPLE TOP & UNDERSHELF

W	30"L	WT.	36"L	WT.
48	BAK01	185	BAK04	184
60	BAK02	212	BAK05	222
72	BAK03	245	-	207



July 2013

John Boos is constantly engaged in a program of improving products and therefore reserves the right to change specification without prior notice