

BEFORE YOU BEGIN YOUR INSTALLATION



Shut off water supply



Flush hot and cold water supply lines



Required tools



Installation by License Professional Plumber



Flush the water pipe before installation

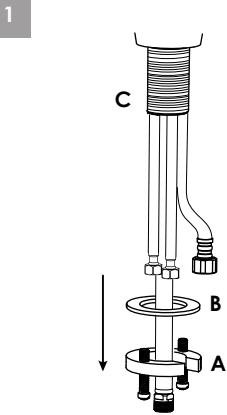


Drawings are for reference only

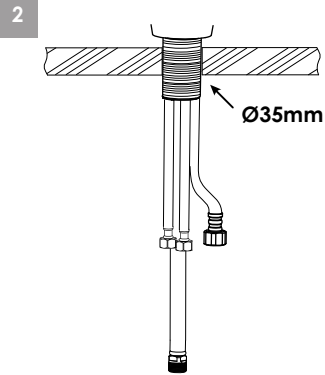


Do not disassemble the body

FAUCET INSTALLATION

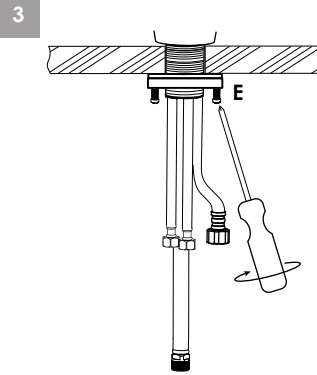


Remove the mounting nut (A) and washer (B) from the threaded shroud (C).

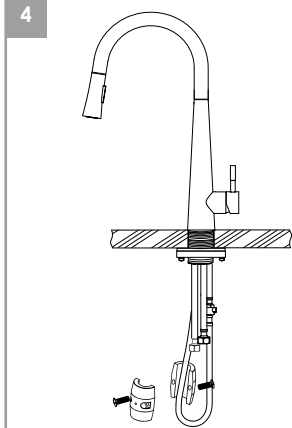


Ensure there is a $\text{Ø}35\text{mm}$ through-hole on the kitchen counter.

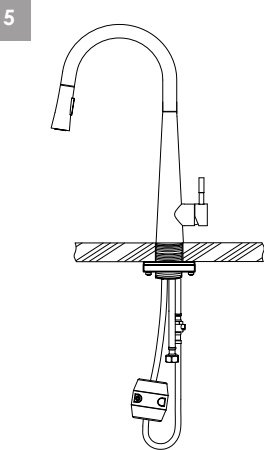
Position faucet on the installation surface. Fit flexible hoses through hole on countertop or sink.



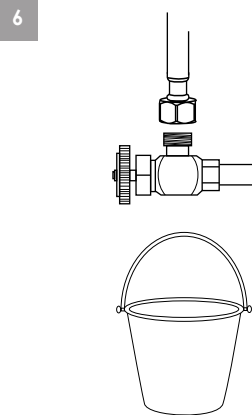
Slide washer and thread the mounting nut onto threaded shroud. Turn faucet to desired handle position. Securely tighten clamp screws (E).



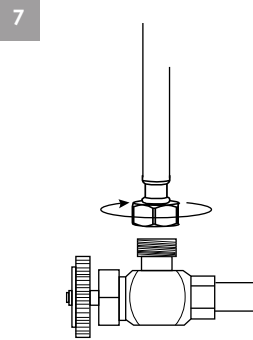
Connect pullout hose to quick connect and insert weight (loose-install).



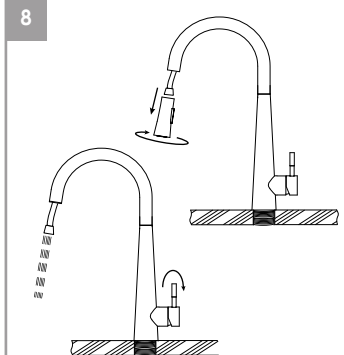
Secure weight on lowest vertical point on pull-out hose side. (not on quick connect side).



Before connecting supply hose, flush supply valves to clear any debris. Place a bucket underneath valves and run water for 5 to 10 seconds. Turn water off.



Connect hot and cold water lines to the inlet pipe and tighten with a wrench until snug. Do not over tight.



Unscrew spray head by hand. Hold the tip of the spray hose down and turn on the faucet and let the water run 60 seconds to flush any debris, the re-connect spray head. Ensure gasket is present.

CARE AND CLEANING

Clean the faucet frequently using mild soap or an on-abrasive cleaner and then quickly rinse with water and dry with soft cloth only.

Using abrasive cleaners, solvents, acid cleaners or any scrubbing detergent, polisher or scraper will damage the finish and void the warranty.

AVANT DE COMMENCER VOTRE INSTALLATION



Coupez l'alimentation en eau



Videz les conduites d'eau chaude et froide



Outils nécessaires



Installation par un plombier professionnel accrédité



Videz la conduite d'eau avant l'installation

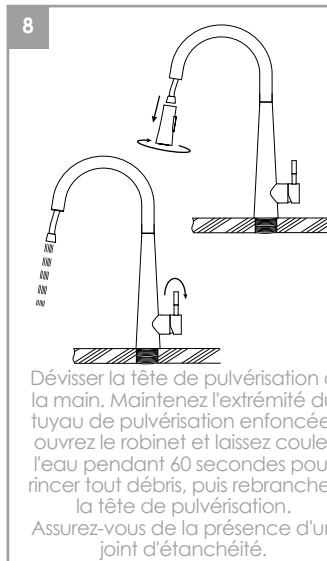
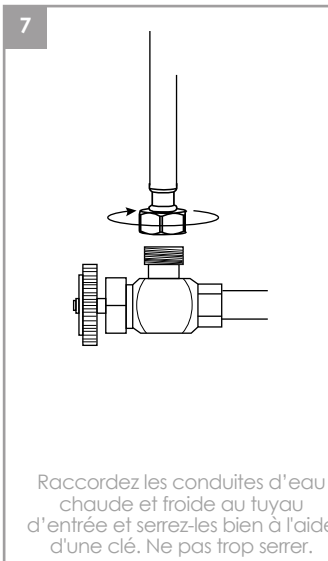
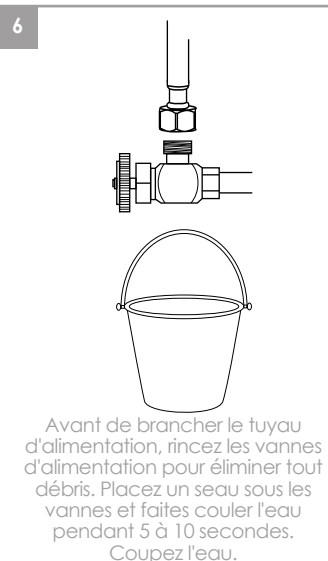
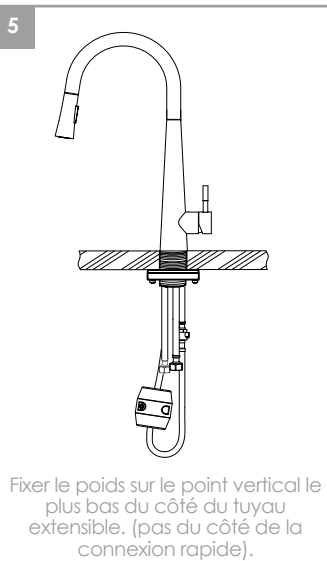
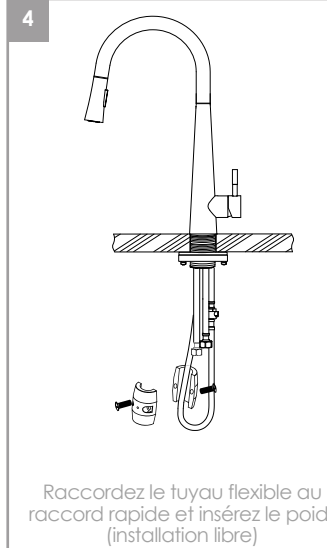
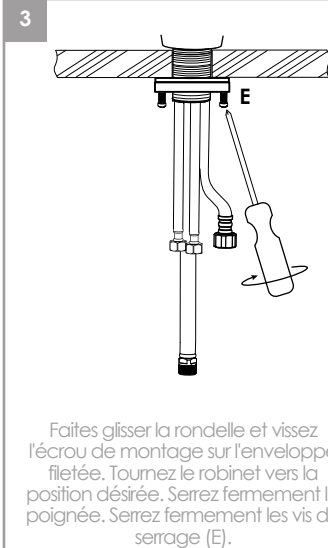
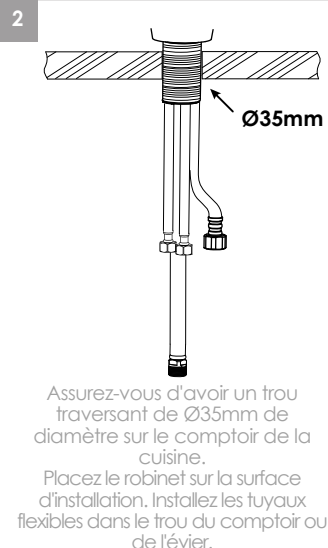
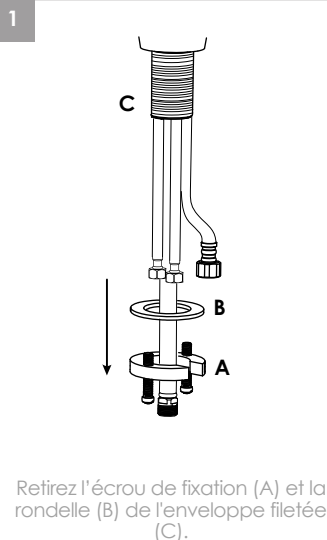


Les illustrations ne sont données qu'à titre indicatif



Ne pas démonter le boîtier

INSTALLATION DU ROBINET



ENTRETIEN ET NETTOYAGE

Nettoyez fréquemment le robinet à l'aide d'un savon doux ou d'un nettoyant non abrasif, puis rincez-le rapidement à l'eau et séchez-le avec un chiffon doux.

L'utilisation de nettoyants abrasifs, de solvants, de nettoyants acides ou de tout autre détergent à récurer, polisseur ou grattoir endommagera la finition et annulera la garantie.