

# **Kräus**<sup>®</sup>

INSTALLATION MANUAL

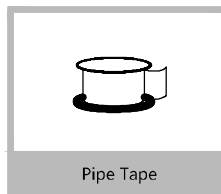
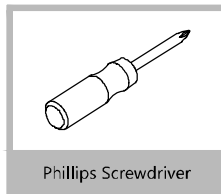
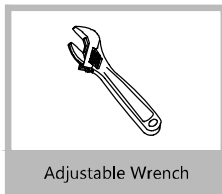
## **Oletto™ Pull Down Touch Kitchen Faucet**

**KTF-3101**

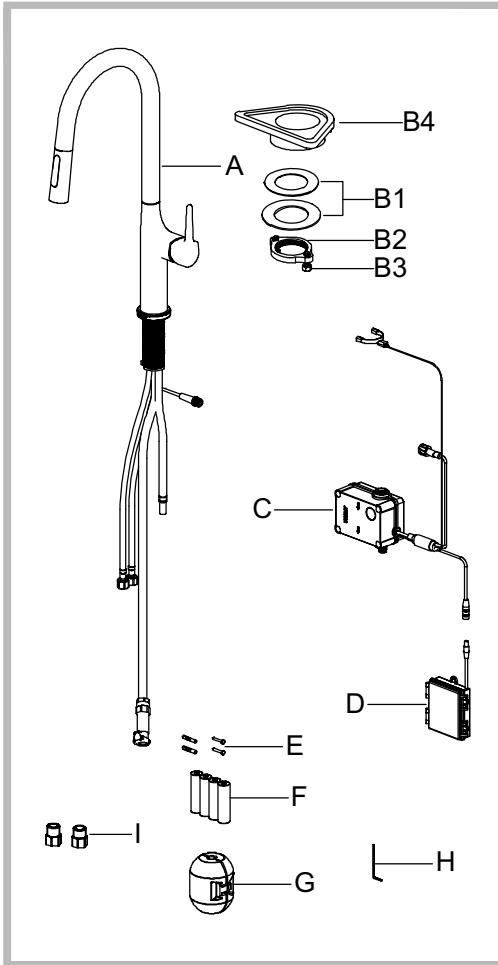
## Prior to Installation:

- Make sure you have all necessary parts by checking the diagram and parts list. If any part is missing or damaged, please contact Customer Service for a replacement.
- Turn off the hot and cold water supply at the angle stops and turn on the old faucet to release any built up pressure. Remove existing faucet. Clean sink or countertop to remove any debris, plumber's putty, or silicone.
- Flush angle stops to release any debris prior to installation.
- Pre-drilled hole size requirement: 1 3/8" (min)
- Max countertop thickness: 2 3/8"

## Tools Required

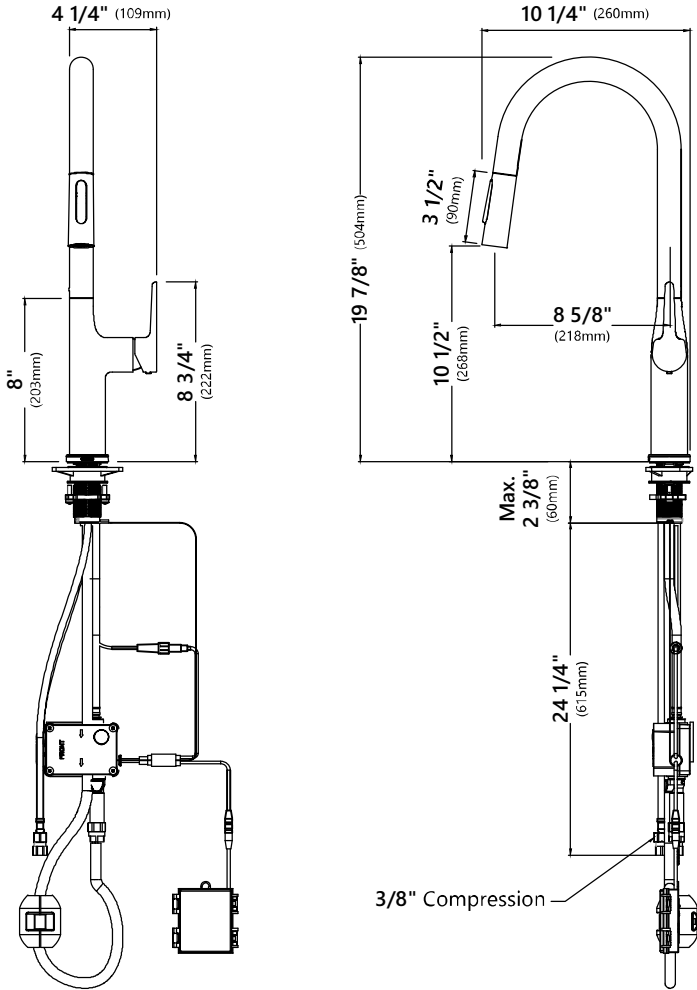


## Diagram and Parts List



- A. Faucet Body
- B. Mounting Hardware
  1. Rubber & Metal Washer
  2. Mounting Nut
  3. Mounting Screws
  4. Plastic Spacer
- C. Control Box
- D. Battery Box
- E. Battery & Control Box Mounting Screws
- F. Batteries
- G. Weight
- H. Hex Key
- I. Brass Check Valve

## Faucet Dimension

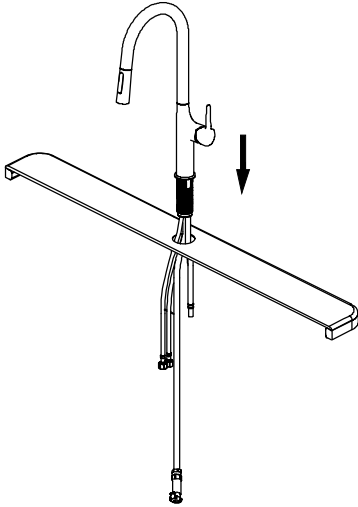


### Installer Tip:

Shut off main water supply before installing new faucet.

## Step 1. Installing the faucet assembly

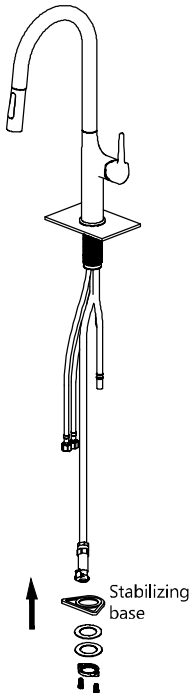
---



Insert faucet body through the hole in the sink or countertop.

## Step 2. Securing the faucet assembly

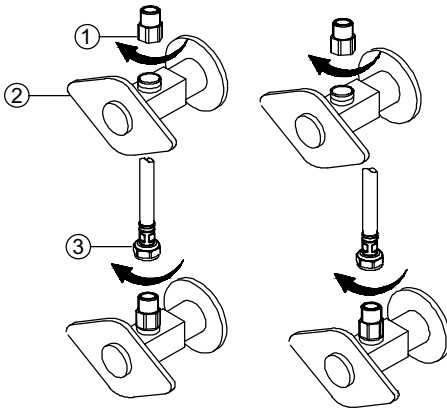
---



Install the rubber washer and metal washer onto the threaded mounting shank. Thread the nut onto the mounting shank. Lock the nut into position by tightening the screws. Do not overtighten.

**⚠ NOTE:** Faucet comes with a white stabilizing base. The stabilizing base **MUST** be used when installing the faucet to a stainless steel counter top or direct install to any kitchen sink (Top Mount sink). Without this base, the touch faucet will not function properly.

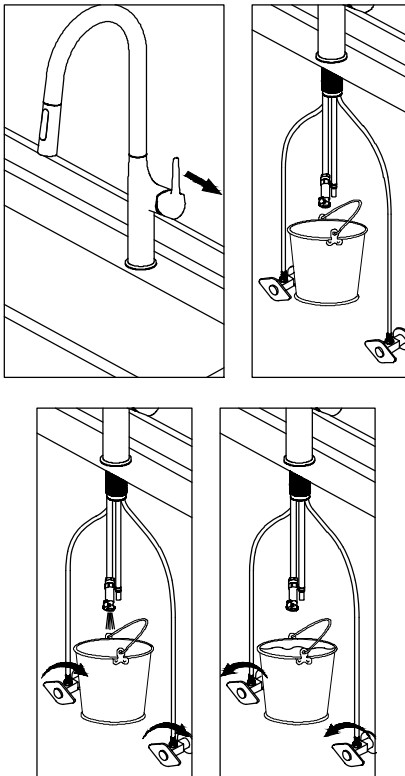
### Step 3. Connect the waterlines



Thread the nut (1) onto the outlet of the water supply valve (2) and tighten with wrench. Thread nut (3) on the supply line onto the nut (1) and tighten with wrench. Do not overtighten.

**NOTE:** Please make sure filter washers are installed before connecting to the main valve.

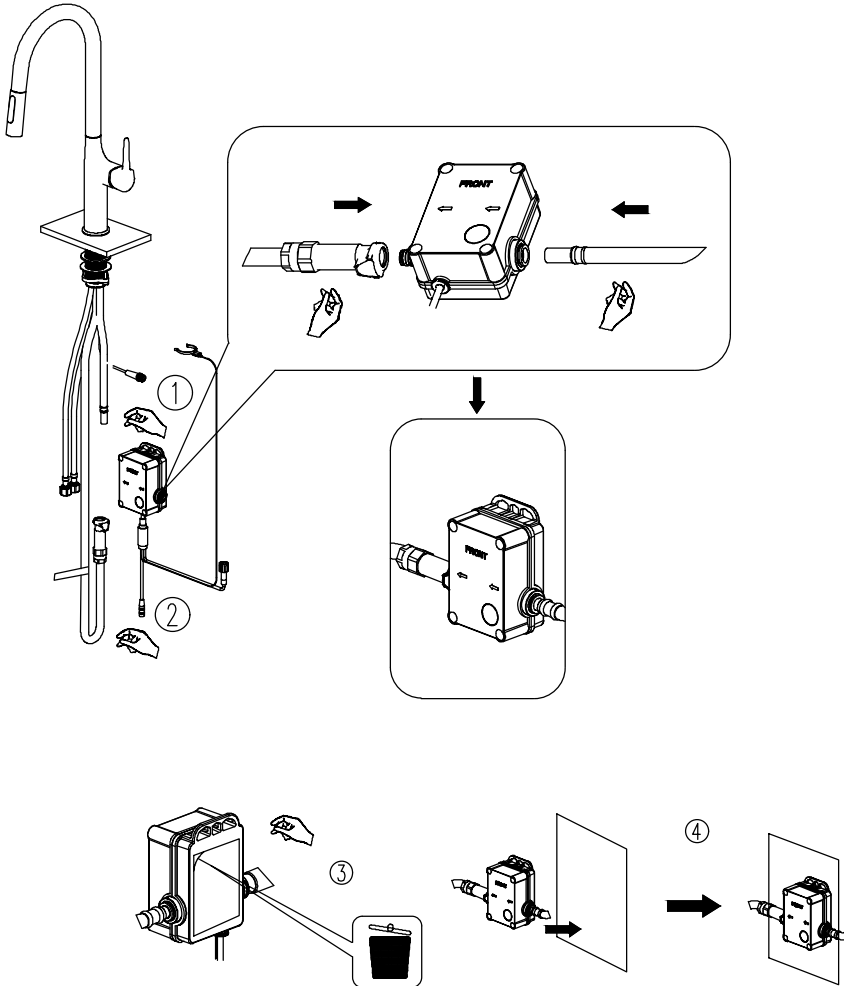
### Step 4. Flush the faucet



Make sure water supplies are closed. Move handle to full mix position. Place bucket under the faucet supply hose. Slowly open both water supply stops to flush lines. This will prevent debris from being lodged in the hose and sprayer. Close water supplies and faucet valve. Remove bucket and dry tube with soft cloth.

## Step 5. Control box installation

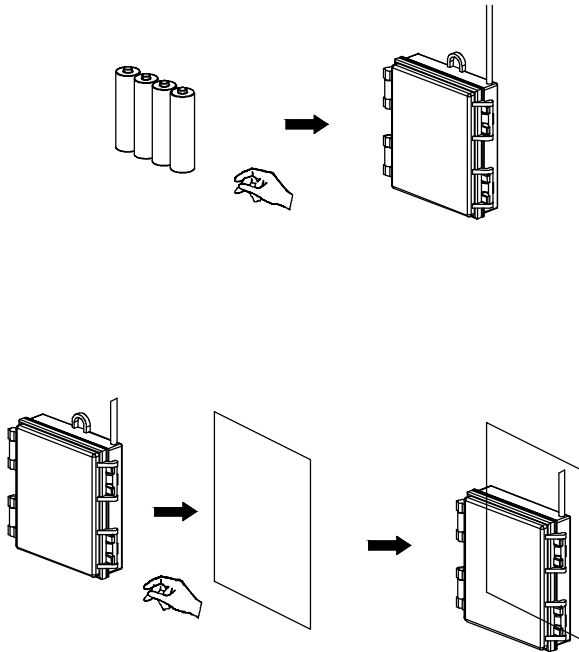
Connect the supply hose to inlet on the control box. Connect the pull down hose to the outlet. Install the control box on cabinet wall vertically by pulling the adhesive from the velcro backing on the control box. Attach the control box to the cabinet wall. You may also use the control box mounting screw (E) to attach the box to the cabinet wall.



## Step 6. Attach the battery housing

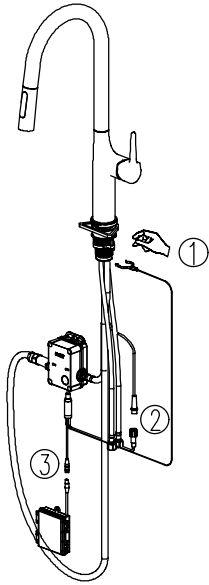
---

Install the 4 AA batteries provided in battery housing. Pull the adhesive from the velcro backing on battery housing and attach the battery housing to the cabinet wall. You may also use the mounting screw (E) to attach the battery housing to the cabinet wall.

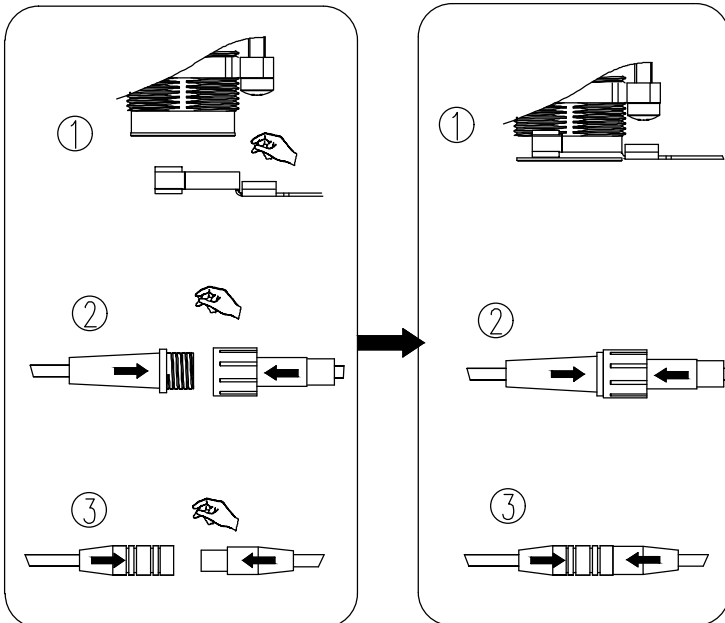




## Step 7. Connect the wires



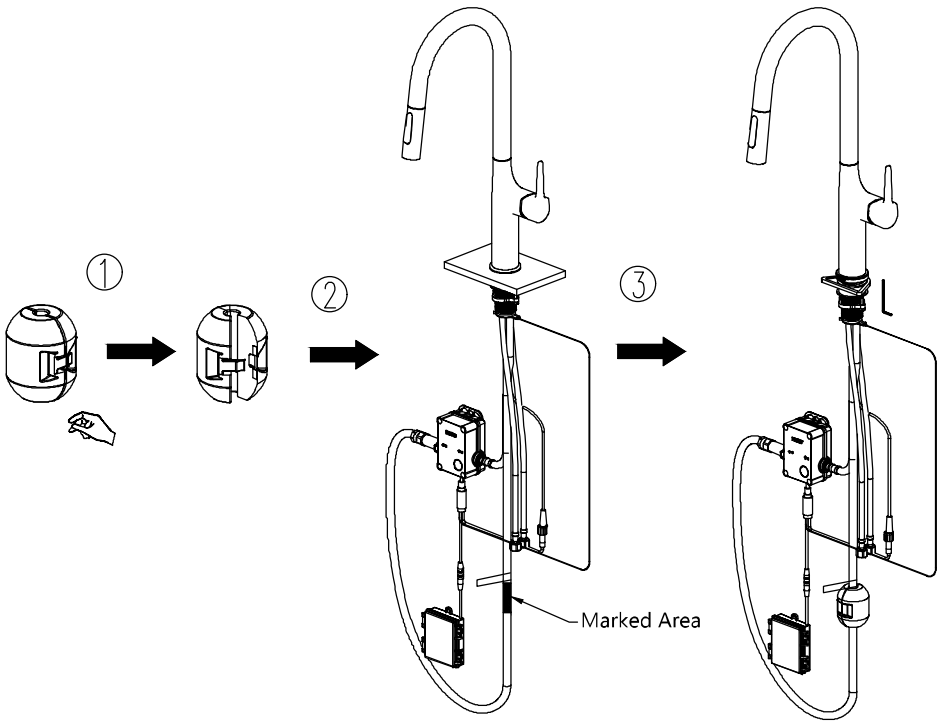
1. Attach the C-clip from control box to the faucet shank.
2. Connect the wire from the faucet to the control box.
3. Connect battery housing to the control box.



## Step 8. Attach the counterweight

---

Install the weight (G) on the marked area of the spray hose.



## Step 9. Installation complete

---

### NOTES:

1. When the faucet is on the LED indicator light is white. If you see a blinking red light three times, that means the battery is at 10%. This is a reminder to change the batteries or change the faucet to the mechanical function.
2. When the red light is blinking three times, you can change the faucet from touch function to mechanical (regular) by touching the faucet 5 times within 3 seconds. The LED indicator light will not be on in mechanical function and you use the handle like normal. **Note: Shut the water supply valves before performing this action.**
3. Once you change the faucet to mechanical function when the battery is dying, you will not be able to go back to touch function until the batteries are changed. Once the batteries are changed the faucet will automatically go back to touch function.
4. It is important that you change the battery once it reaches 10% to avoid any risks of flooding as the handle stays in the on position during touch function.

