

Kräus[®]

INSTALLATION GUIDE

Oletto™ Single Handle Pull Down Kitchen Faucet

KPF-2820

KPF-2821

Prior to Installation:

- Make sure you have all necessary parts by checking the diagram and parts list. If any part is missing or damaged, please contact customer service
- Turn off the hot and cold water lines at the angle stops and turn on the old faucet to release any built-up pressure
- Pre-drilled countertop hole size requirement: 1-3/8"(min)
- Max countertop thickness: 3"

Tools you will need:

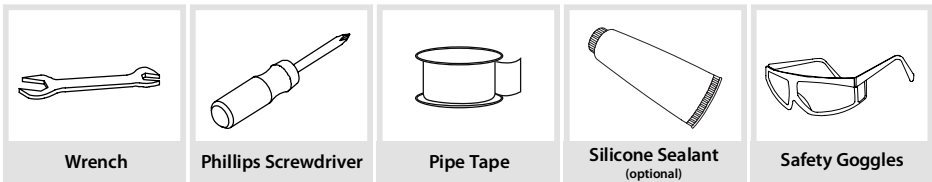
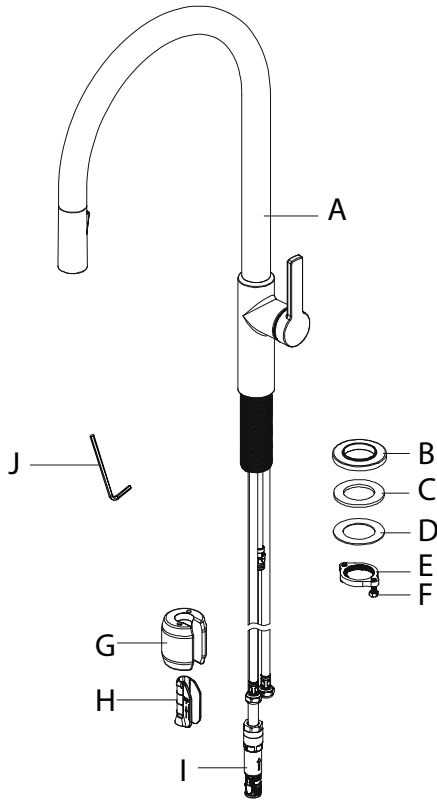


Diagram and Parts List



A. Faucet Body

B. Flange

C. Rubber Washer

D. Metal Washer

E. Mounting Nut

F. Screws

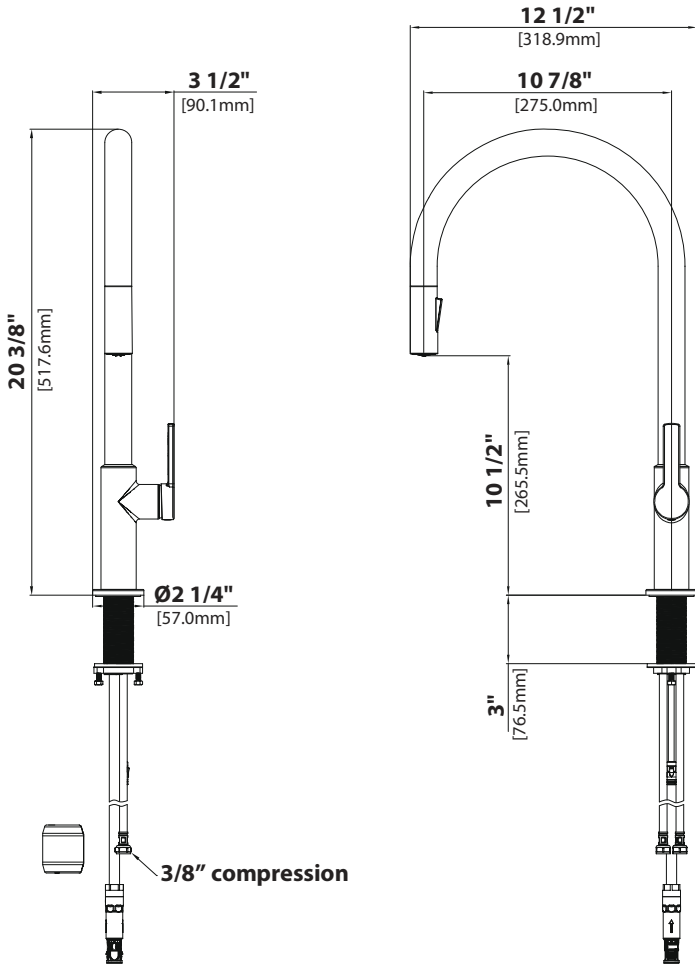
G. Weight

H. Weight Clip

I. Quick Connector

J. Hex Wrench

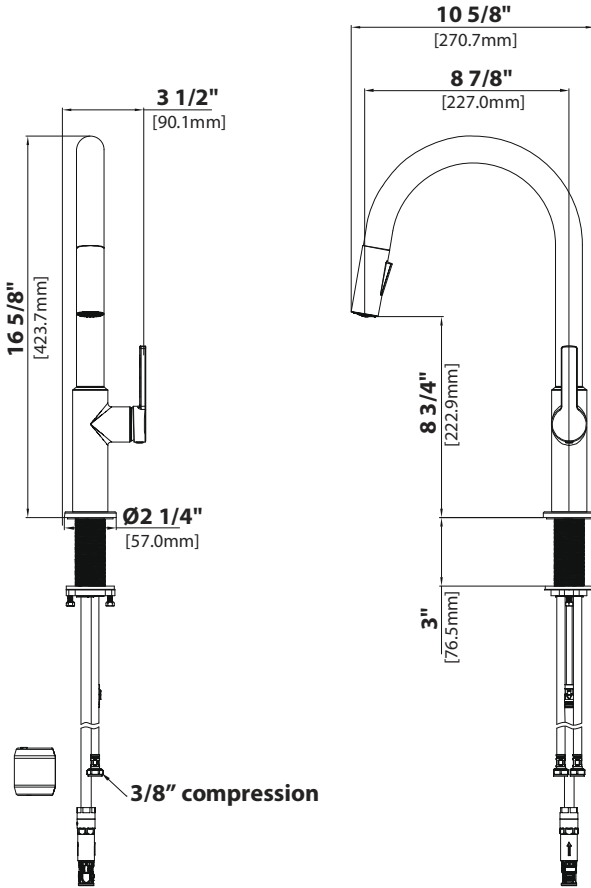
Faucet Dimension (For KPF-2821)



Installer Tip:

Shut off main water supply before installing new faucet

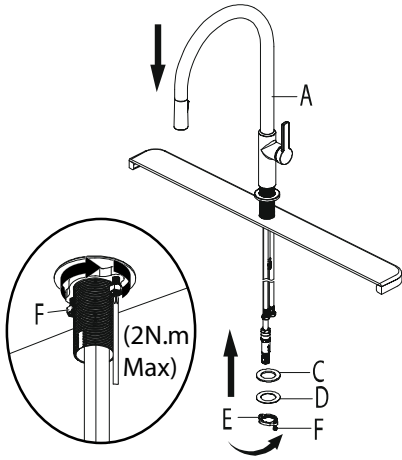
Faucet Dimension (For KPF-2820)



Installer Tip:

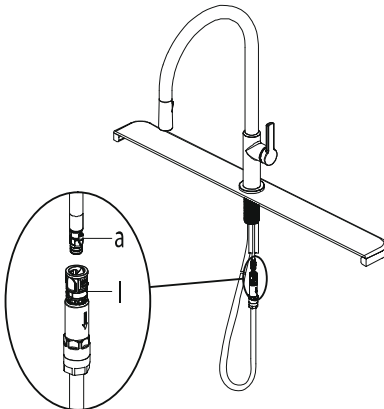
Shut off main water supply before installing new faucet

Step 1: Installing the faucet



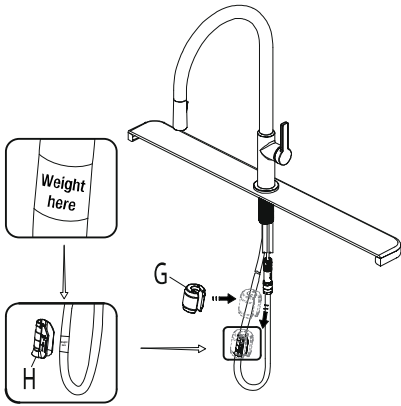
Shut off the water supply. Place faucet (A) through the hole in countertop. Secure the faucet (A) to the countertop using the rubber washer (C), metal washer (D) and mounting nut (E) provided. Tighten screws (F).

Step 2: Securing the faucet assembly



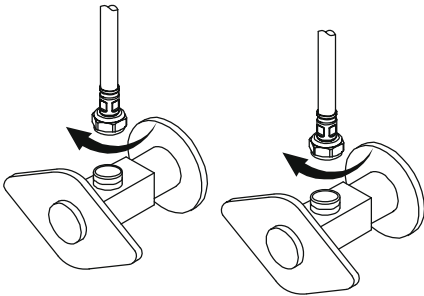
Push the quick connector (I) firmly upward and attach it to the receiving block (a). Pull down moderately to ensure the connection has been made.

Step 3: Securing the faucet assembly



Install the weight clip (H) at the point of the hose marking "weight here". Insert the weight (G) onto the weight clip (H) by sliding it down onto the weight clip (H).

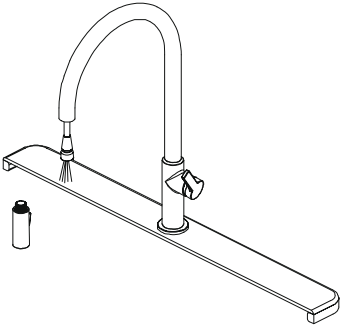
Step 4: Connect waterlines to main valve



Attach waterlines to angle stops and tighten until snug. Turn on angles stops and check for leaks (DO NOT TURN FAUCET ON)

NOTE: Please make sure filter washers are installed before connecting to the main valve.

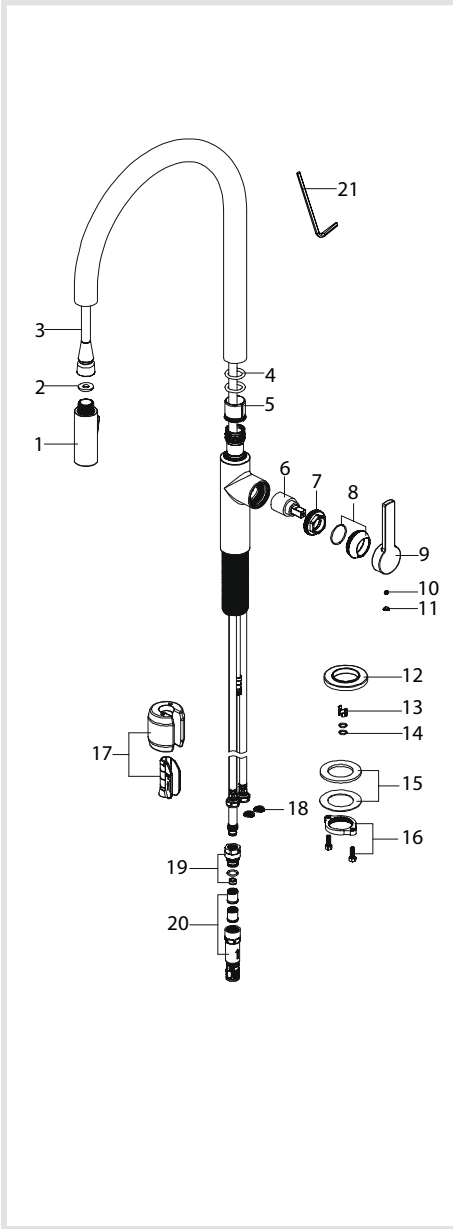
Step 5: Flush faucet



Pull the hose assembly out of the spout and remove the spray head by unscrewing it from the hose in a counterclockwise direction. Be sure to hold the end of the hose down into the sink and turn the faucet on to the warm position where it mixes hot and cold water. Flush the water lines for one minute. This flushes away any debris that could cause damage to internal parts. Check for leaks. Re-tighten any connections if necessary, but do not overtighten. Reinstall the spray head by hand tightening it back onto the spray hose.

After installation is completed, turn on the hot and cold water supplies. Check for leaks.

Replacement Parts



Replacement Parts List	Finish / Color	Part #
1. Sprayer Head	SFS, MB, SFSB, SFACB, BB, CH*	KP27207
2. Sprayer Washer		KP27208
3. Sprayer Hose	GRSFS, BLMB, BLSFACB, BLBB, BLSFSB,GRCH*	KP27209 (For KPF-2820) KP27233 (For KPF-2821)
4. O-ring		KP27210
5. Inverter		KP27211
6. Cartridge		KP27069
7. Bonnet Nut		KP27202
8. Cap & O-ring	SFS, MB, SFSB, SFACB, BB,CH*	KP27203
9. Handle	SFS, MB, SFSB, SFACB, BB,CH*	KP27204
10. Set Screw		KP27001
11. Cover Button	GR, BL*	KP27002
12. Flange & Washer	SFS, MB, SFSB, SFACB, BB,CH*	KP27205
13. Block		KP27073
14. O-ring		KP27092
15. Rubber & Metal Washer		KP27028
16. Mounting Nut & Screw		KP27079
17. Weight & Clip Assembly		KP27212
18. Filter Washer		KP27167
19. 1.8GPM Flow Restrictor	WHITE	KP27074-WH
20. Quick Connector Assembly		KP27090
21. Hex Wrench		KP27020

*Denotes faucet component color options:

SFS - Spot Free Stainless Steel ; MB - Matte Black; SFACB - Spot Free Antique Champagne Bronze;

SFSB - Spot Free Black Stainless; BB - Brushed Brass; GR - Grey; BL - Black; CH - Chrome

MBSFSB - Matte Black+Spot Free Black Stainless; BBMB - Brushed Brass+Matte Black;

Grey hose with Spot Free Stainless Steel connector (GRSFS); Black hose with Matte Black connector (BLMB);

Black hose with Brushed Brass connector (BLBB); Black hose with Spot Free Black Stainless connector (BLSFSB);

Black hose with Spot-Free Antique Champagne Bronze connector (BLSFACB); Grey hose with Chrome connector (GRCH)

Troubleshooting

If you have followed the instructions carefully and your faucet still does not work properly, take the following coorrective steps:

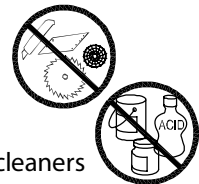
PROBLEM	CAUSE	ACTION
Leakage under the handle	Bonnet nut (7) has come loose	Remove the cover button (11). Loosen screw (10) with hex wrench (21). Remove the handle (9). Unscrew cap (8) (by hand only). Tighten bonnet nut (7) with an adjustable wrench
The aerator has an irregular or reduced water flow	The aerator is dirty or mis-fitted	Remove the aerator and check for debris. Ensure that the rubber washer is properly installed.
Water will not shut off completely	Cartridge may need to be adjusted or replaced	Remove the cover button (11). Loosen screw (10) with hex wrench (21). Remove the handle (9). Unscrew cap (8) (by hand only). Tighten bonnet nut (7) with an adjustable wrench. Remove the cartridge (6). Check for cracks
There is a low flow of water.	The filter washer in the hose connectors is dirty.	Turn off the water supply at water valve and unscrew the hose connectors from water supply lines. Clean the filter washer in the water lines with hot water, removing any debris or calcium build up

Care & Maintenance

*To keep the product clean & shining, follow the steps below :

1. Rinse with clean water & dry with a soft cloth
2. Do not clean with soaps, acid, polish, abrasives, or harsh cleaners
3. Do not use cloth with a coarse surface
4. Unscrew the aerator and clean when necessary

*This installation manual is subject to change without further notice.



Codes/Standards Applicable:



ASME A112.18.1
1.8GPM 6.8L/min maximum

Faucet - Lifetime Limited Warranty

Kraus® USA Plumbing, LLC ("Kraus") extends this warranty to the original purchaser for personal household use of the Faucet when purchased from an authorized Kraus dealer and in the location of original installation. This warranty is non-transferable.

Kraus warrants the structure and finish of the Faucet to be free from defects in material and workmanship under normal usage for as long as the original purchaser resides in the residence in which the Faucet was first installed.

Kraus warrants the Faucet's sprayhead assembly (including the engine, aerators, structure, restrictors, back flow preventers, sprayer hoses, braided supply line hoses which encompasses nylon, silicon and stainless steel) of the product to be free from defects in material and workmanship under normal usage for a period of one (1) year from the date of purchase.

Kraus warrants the Faucet's cartridge to be free from defects in material and workmanship under normal usage for a period of five (5) years from the date of purchase.

Any product reported to the authorized dealer or to Kraus as being defective within the warranty period will be repaired or replaced with a product of equal value at the option of Kraus.

Commercial Warranty

Kraus USA Plumbing, LLC ("Kraus") warrants its Products for a period of one (1) year to commercial purchasers of Products used in industrial, commercial and business applications.

Care and Cleaning Instructions

Certain cleaning products may cause damage to a Product's finish and use of the following on the Product will void this warranty:

- Abrasive cleaners such as powders, bleach, ammonia, alcohol or chlorine
- Abrasive pads, steel wool or wire brushes

What is Not Covered

This warranty does not cover Products that were discontinued when purchased or display Products, whether such Products were purchased at discount outlets, unauthorized dealers, and/or sold on clearance. This warranty does not cover any free gifts included with purchase.

This warranty does not cover damage resulting from neglect, misuse (including use for an unintended application), abuse, carelessness, accident, hard water or mineral deposits, exposure to corrosive materials, improper maintenance, alteration of the Product, or failure to follow care, cleaning or installation instructions enclosed with your Product. Kraus recommends that all Kraus Products be installed by a fully licensed and insured trade professional with experience in the installation of bathroom and/or kitchen manufactured goods.