

Kräus[®]

INSTALLATION MANUAL

Sellette™ Single Handle Pull Down Kitchen Faucet

KPF-4100

STOP

Prior to Installation:

- Make sure you have all necessary parts by checking the diagram and parts list. If any part is missing or damaged, please contact Kraus[®] Customer Service at 800-775-0703 for a replacement.
- Read all instructions and safety warnings and ensure you have all tools, parts, and equipment necessary for a safe installation.
- Turn off the hot and cold water supply at the angle stops and turn on the old faucet to release any built up pressure. Remove existing faucet. Clean sink or countertop to remove any debris, plumber's putty, or silicone.
- Flush angle stops to release any debris prior to installation.
- Pre-drilled hole size requirement: 1 3/8" (min)
- Max countertop thickness: 2 1/4"

For technical assistance or replacement parts, please contact Kraus Customer Service and one of our representatives will be happy to help:
Toll-Free: 800-775-0703 or Customerservice@kraususa.com

Care & Maintenance

- * To keep the product clean & shining, follow the steps below:
 1. Rinse with clean water & dry with a soft cloth
 2. Do not clean with soaps, acid, polish, abrasives or harsh cleaners
 3. Do not use cloth with a coarse surface
 4. Unscrew the aerator and clean when necessary
- * This installation manual is subject to change without further notice.



Tools Required

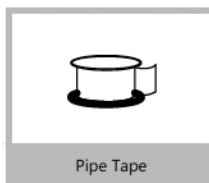
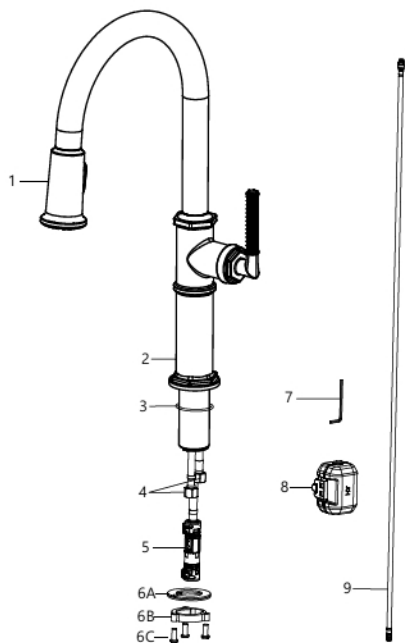
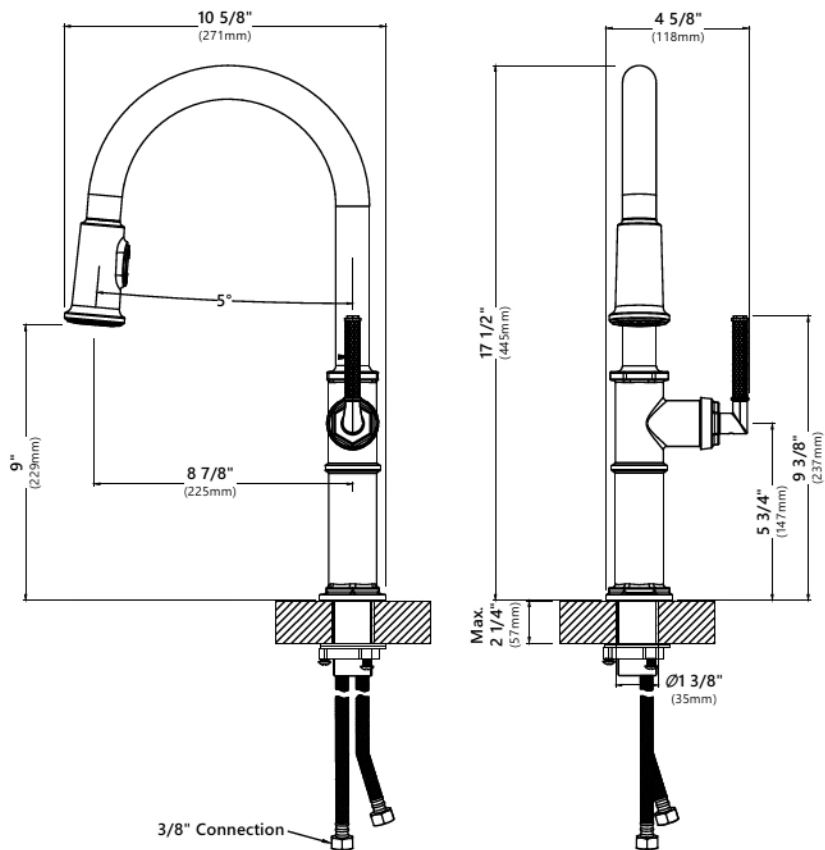


Diagram and Parts List



1. Spray Head
2. Faucet Body
3. O-Ring
4. Waterlines
5. Quick Connector
- 6A. Metal Washer
- 6B. Mounting Nut
- 6C. Mounting Screws
7. Hex Wrench
8. Weight
9. Spray Hose

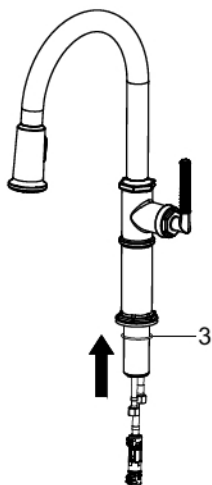
Faucet Dimensions



Installer Tip:

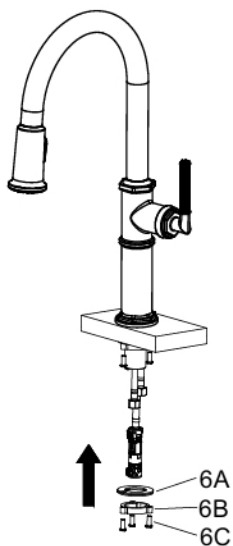
Shut off main water supply before installing new faucet.

Step 1. Installing the O-Ring



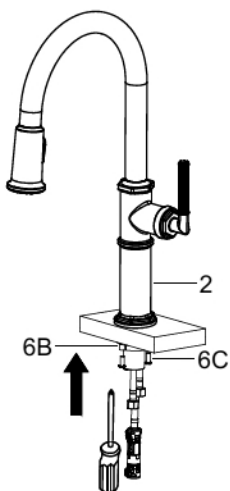
Install the O-Ring (3).

Step 2. Install faucet and mounting hardware



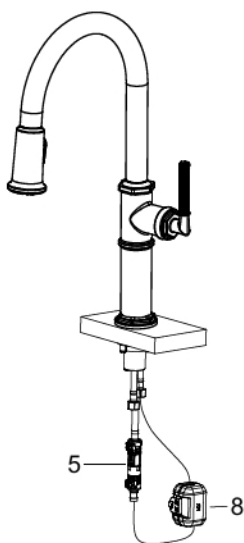
Insert faucet body (2) into the hole in the sink or countertop. Install mounting hardware (6A, B & C) from underneath the countertop.

Step 3. Secure mounting hardware



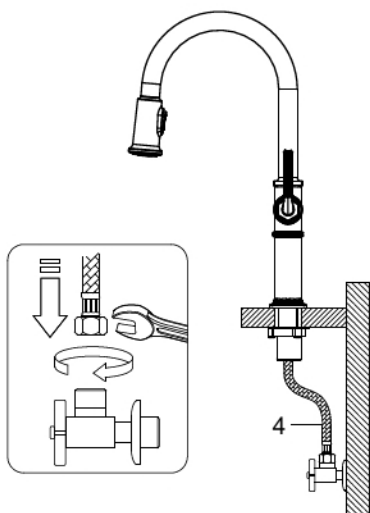
Adjust direction of faucet body (2) so that handle is on right side of faucet. Tighten mounting nut (6B) until snug. Tighten mounting screws (6C) to nut with Phillips screwdriver until snug.

Step 4. Attach spray hose and counterweight



Connect the spray hose (9) to quick connector outlet (5) attached to the supply line. Install the weight (8) on the spray hose where it is marked.

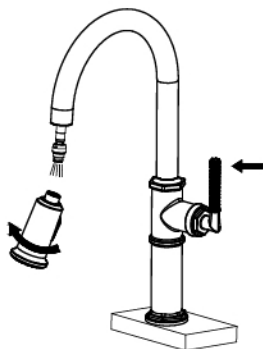
Step 5. Connect waterlines



Connect hot and cold copper lines (4) to angle stops. Tighten both ends of waterlines with a wrench until snug. Turn on hot and cold angle stops and check for leaks.

NOTE: Please make sure filter washers are installed before connecting to the main valve.

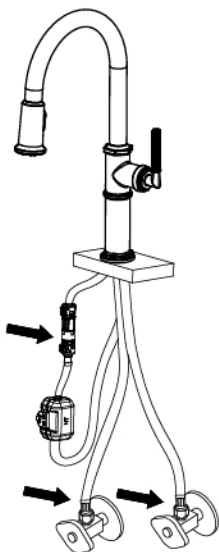
Step 6. Flush spray hose



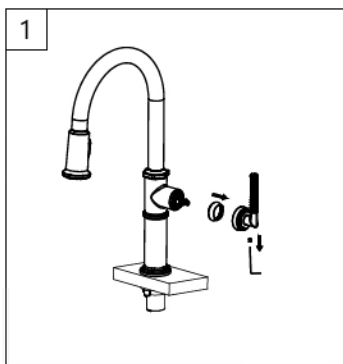
Remove spray head (1) from spray hose. Hold tip of spray hose. Turn faucet on and let the water run for 60 seconds to flush any debris.

Step 7. Check for leaks

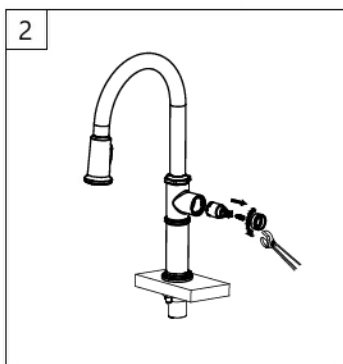
Check for leaks at the connections.
Retighten if necessary.



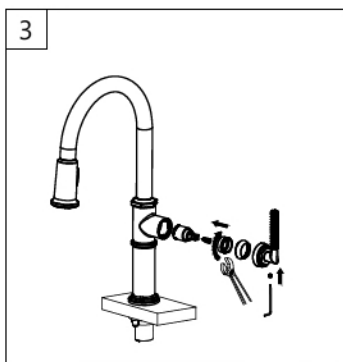
Maintenance - Cartridge Replacement



Step 1: Loosen the set screw with a hex wrench. Remove the handle and unscrew the cartridge cover by hand.

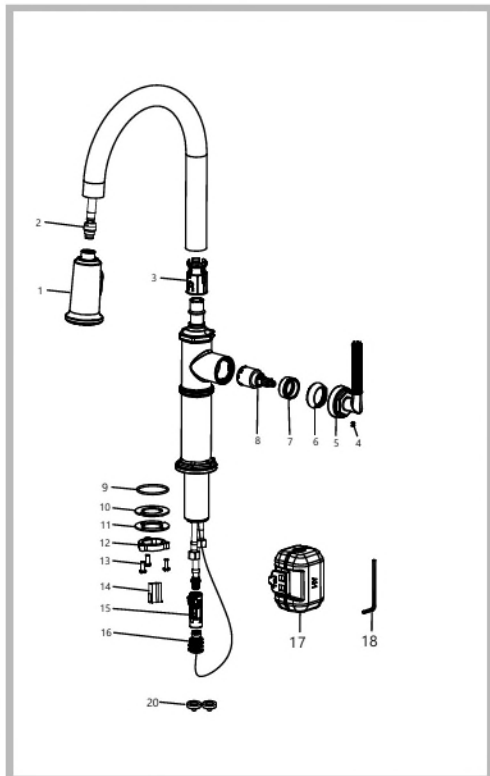


Step 2: Unscrew the locking nut with an adjustable wrench. Remove the ceramic disc cartridge.



Step 3: Place the new cartridge in the handle seat. Secure the cartridge with the locking nut and assemble the handle.

Replacement Parts



Replacement Parts List	Finish/Color	Part #
1. Spray Head	CH, SFS, MB, BG**	KP06246
2. Spray Hose	BLMB, GRCH, GRSFS*	KP06247
3. Spout Clip	BL, GR**	KP06244
4. Set Screw		KP06240
5. Faucet Handle	CH, SFS, MB, BG**	KP06239
6. Cartridge Cover & O-ring	CH, SFS, MB, BG**	KP06241
7. Cartridge Nut		KP06242
8. Cartridge		KP06243
9. Base O-Ring		KP06245
10. Rubber Washer		KP06041
11. Metal Washer		KP06028
12. Mounting Nut		KP06067
13. Mounting Screws		KP06068
14. Protective Sleeve		KP06161
15. Quick Connector Assembly		KP06173
16. Flow Regulator Assembly (1.8GPM)	WH**	KP06174
17. EZ-Weight		KP06015
18. Hex Wrench 2.5mm		KP06050
19. Mounting hardware kit (includes KP06041, KP06028, KP06067, KP06068)		KP06200
20. Filter Washers		KP06185

*Denotes spray hose assembly color options:
 Spray hose assembly color options: Black hose w/ Matte Black connector (BLMB), Gray hose with Chrome connector (GRCH), Gray hose with Spot-Free Stainless connector (GRSFS)

**Denotes faucet component color options:
 CH - Chrome
 SFS - Spot Free Stainless Steel
 MB - Matte Black
 BG - Brushed Gold
 BL - Black
 WH - White
 GR- Grey