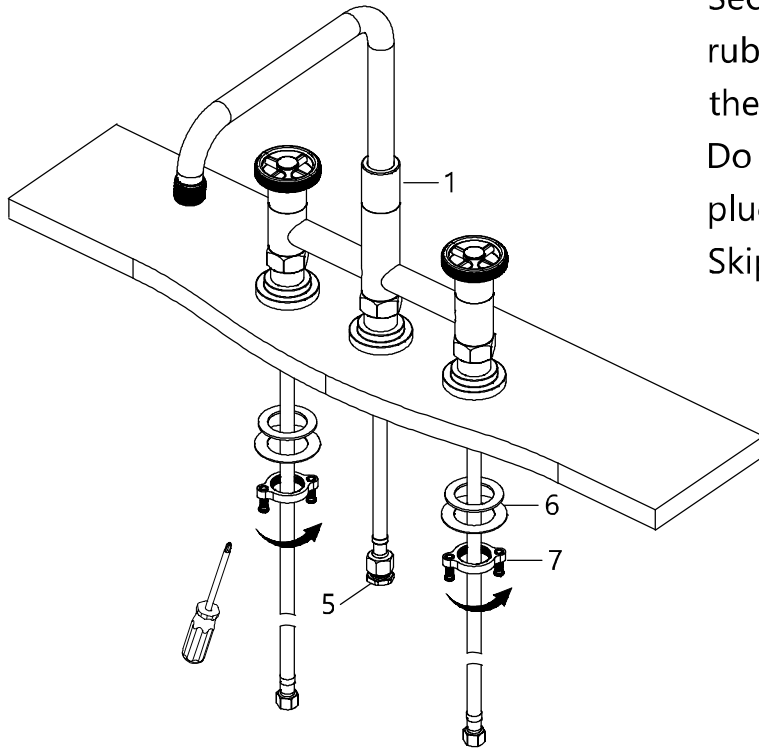


### Step 3. Secure faucet assembly

---

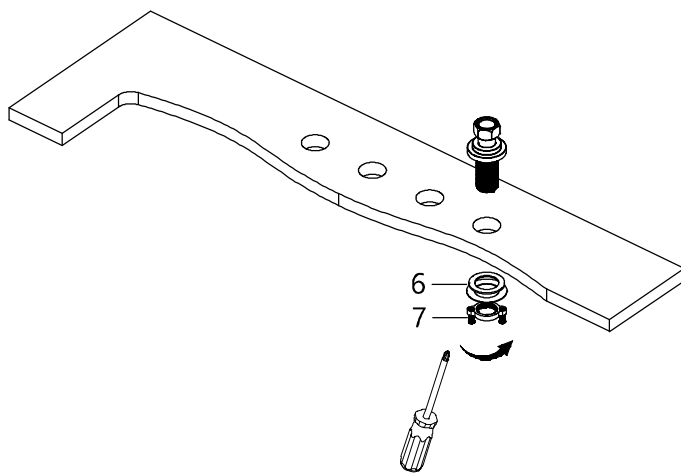


Secure the faucet body (1) with the rubber and metal washers (6) and the mounting nuts and screws (7). Do not overtighten. Make sure the plug (5) is installed tightly. Skip to Step 7.

### Side Sprayer Option

#### Step 4. Drill countertop and install side sprayer support

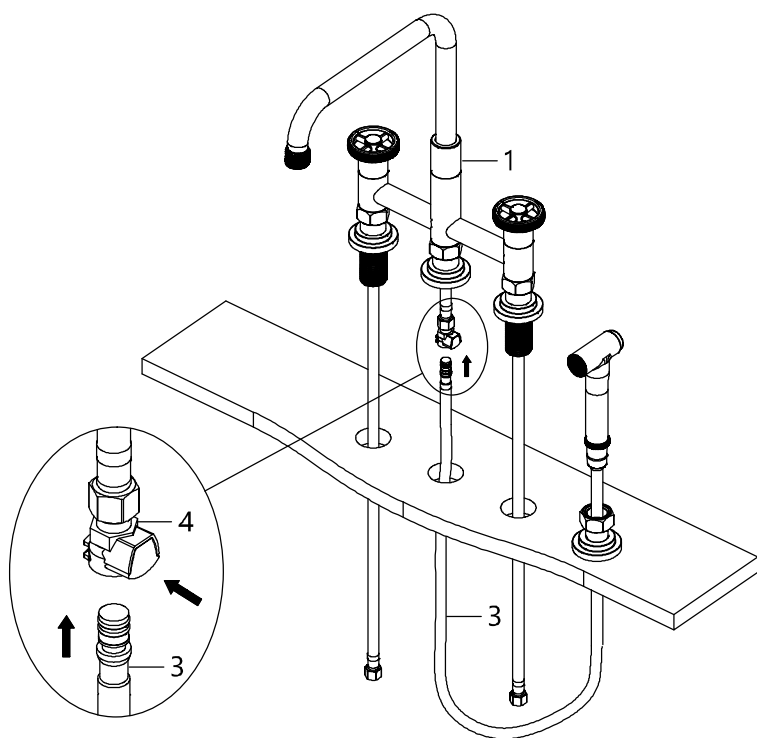
---



Drill 4 holes into the countertop for the faucet body (1) and side sprayer (2). Install the side sprayer support.

## Step 5. Install faucet assembly

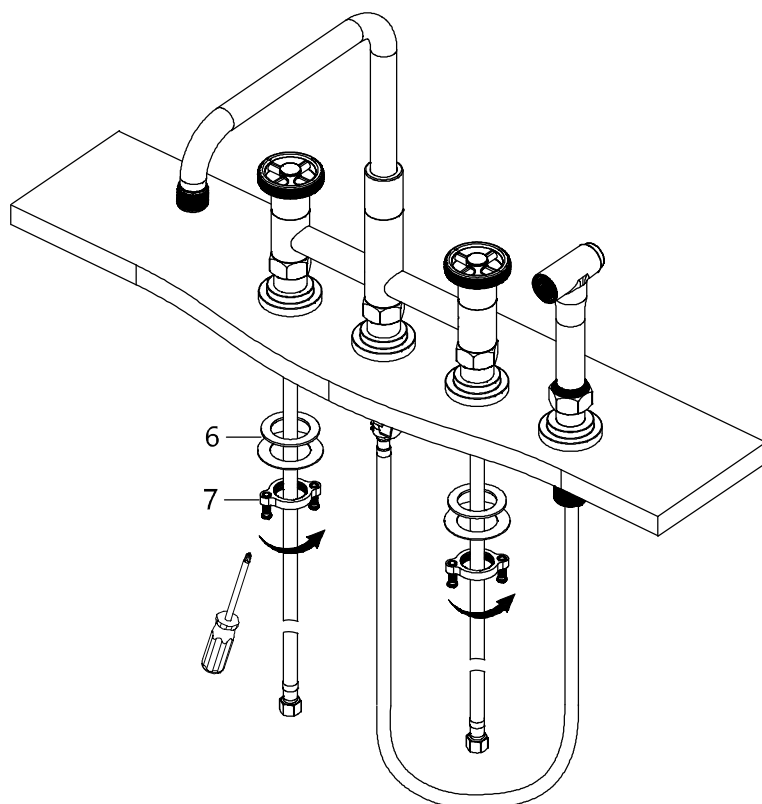
---



Install the faucet assembly through the holes in the countertop. Remove plug (5) and install quick connector (4). Connect the sprayer hose (3).

## Step 6. Secure faucet assembly

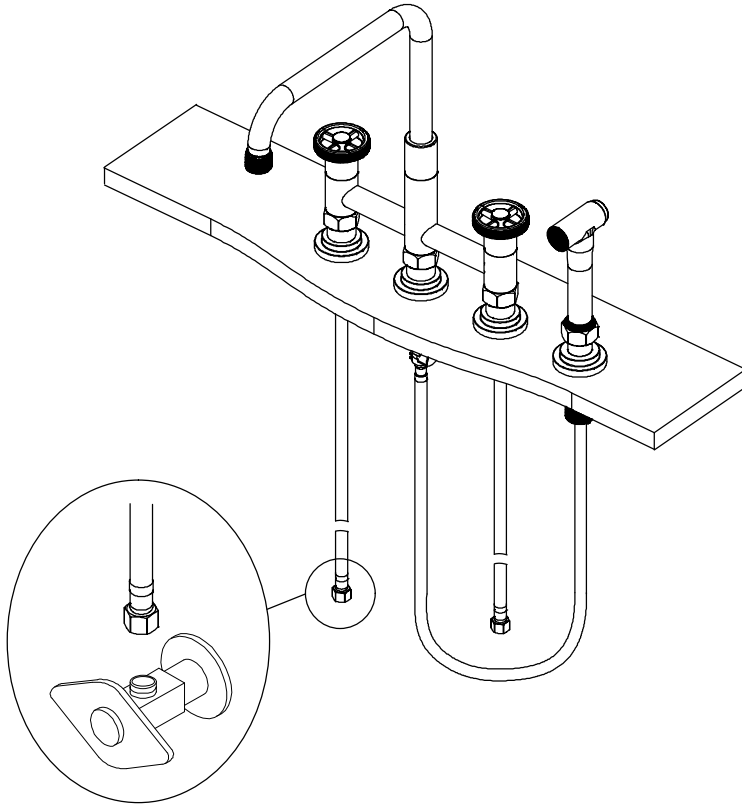
---



Secure the faucet body (1) with the rubber and metal washers (6) and the mounting nuts and screws (7). Do not overtighten.

## Step 7. Connect waterlines

---

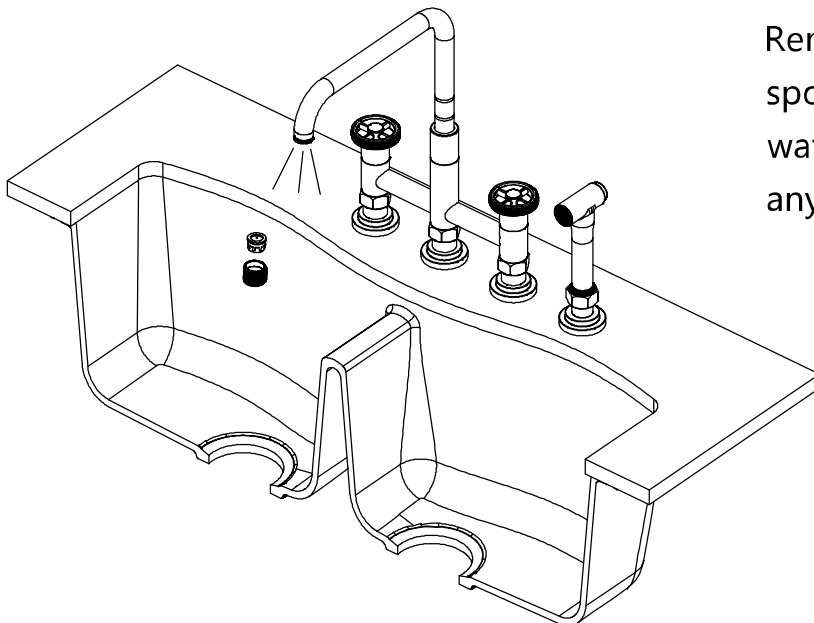


Connect waterlines to angle stops. Tighten with a wrench until snug. Turn on hot and cold angle stops and check for leaks.

**NOTE:** Make sure filter washers are installed.

## Step 8. Flush waterway

---



Remove the aerator from the spout. Turn faucet on and let the water run for 60 seconds to flush any debris.