

Kröus[®]

INSTALLATION MANUAL

Urbix™ Industrial Bridge Kitchen Faucet

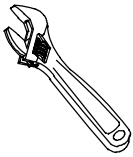
KPF-3125

 kitchensource.com
 1.800.667.8721

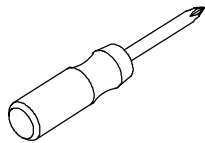
Prior to Installation:

- Make sure you have all necessary parts by checking the diagram and parts list. If any part is missing or damaged, please contact Customer Service
- Turn off the hot and cold water supply at the angle stops and turn on the old faucet to release any built up pressure. Remove existing faucet. Clean sink or countertop to remove any debris, plumber's putty, or silicone.
- Flush angle stops to release any debris prior to installation.
- Pre-drilled hole size requirement: 1 1/4" (min) - 1 1/2" (max)
- Max countertop thickness: 2 1/2"
-
- 3 or 4 hole installation

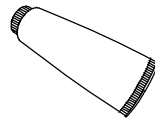
Tools Required



Adjustable Wrench



Phillips Screwdriver

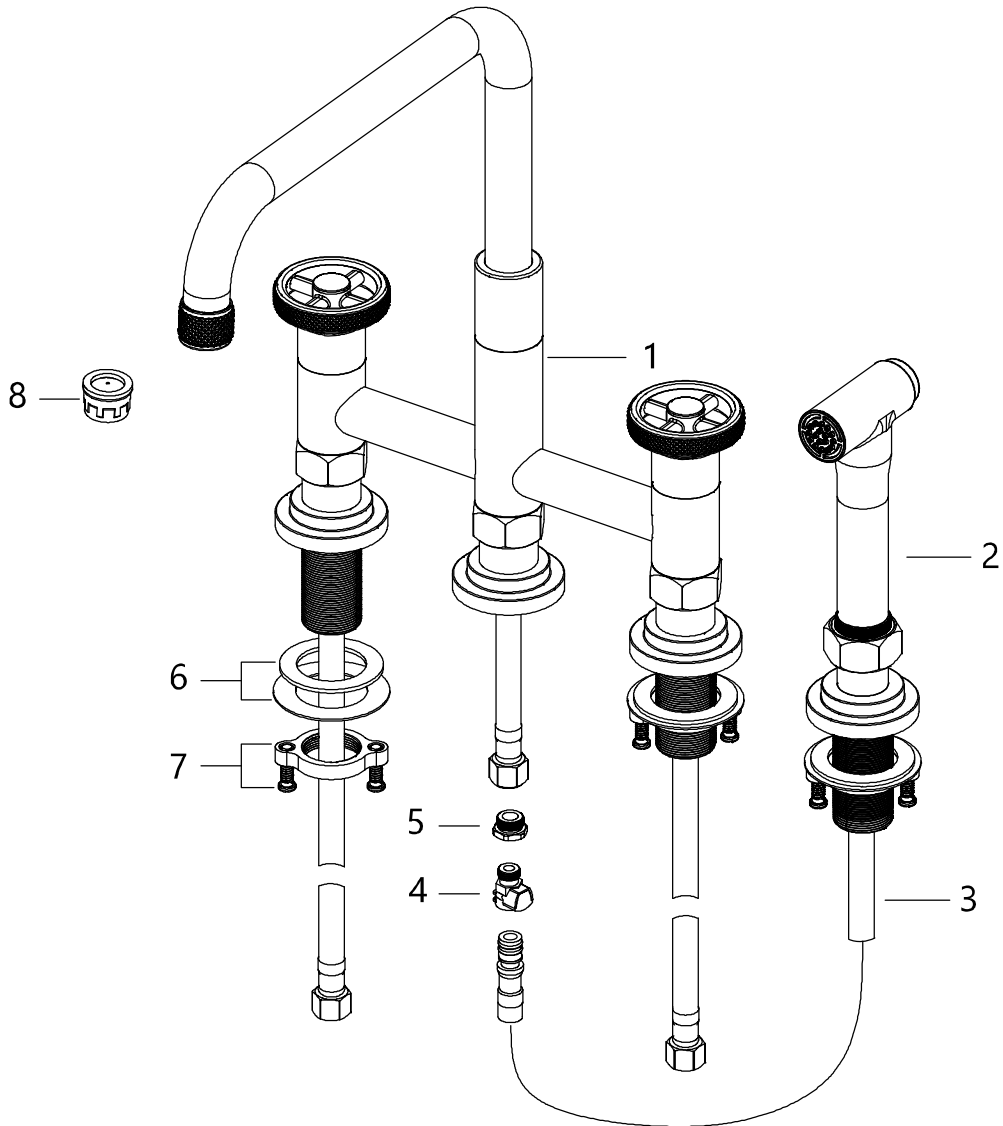


Silicone Sealant



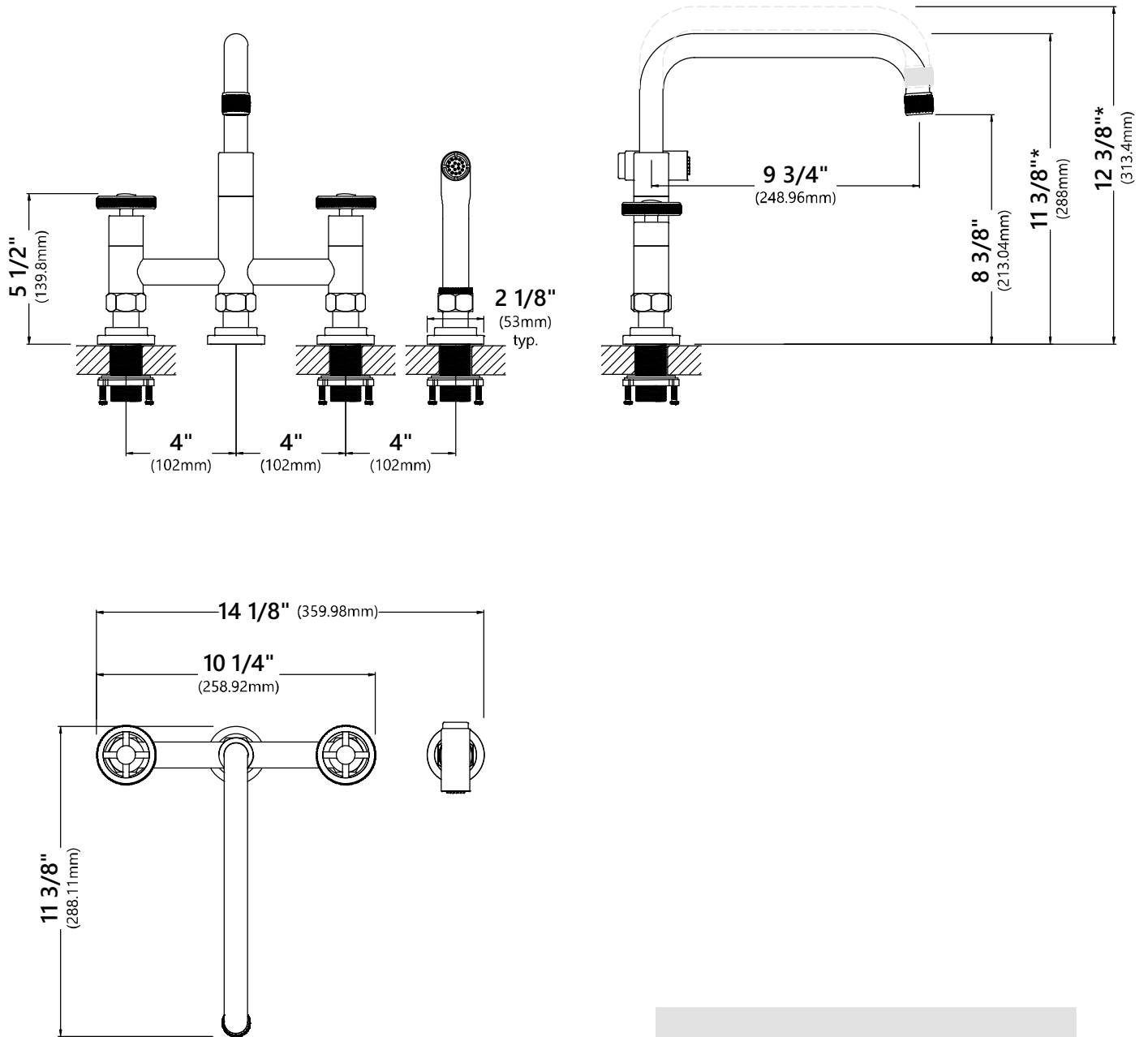
Safety Goggles

Diagram and Parts List



1. Faucet Body
2. Side Sprayer
3. Sprayer Hose
4. Quick Connector
5. Plug (for NO side sprayer installation)
6. Rubber & Metal Washer
7. Mounting Nut & Screws
8. 2.2 gpm Aerator

Faucet Installation Procedure



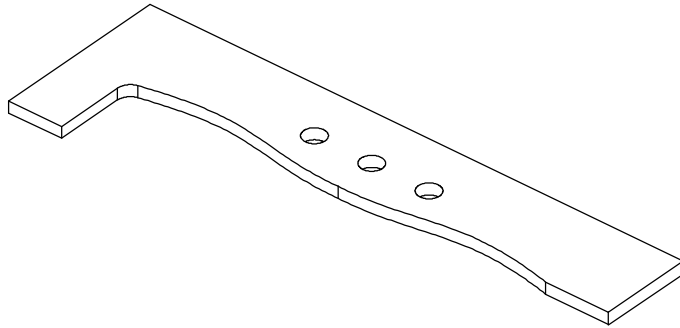
* - Adjustable height range.

Installer Tip:

Shut off main water supply before installing new faucet.

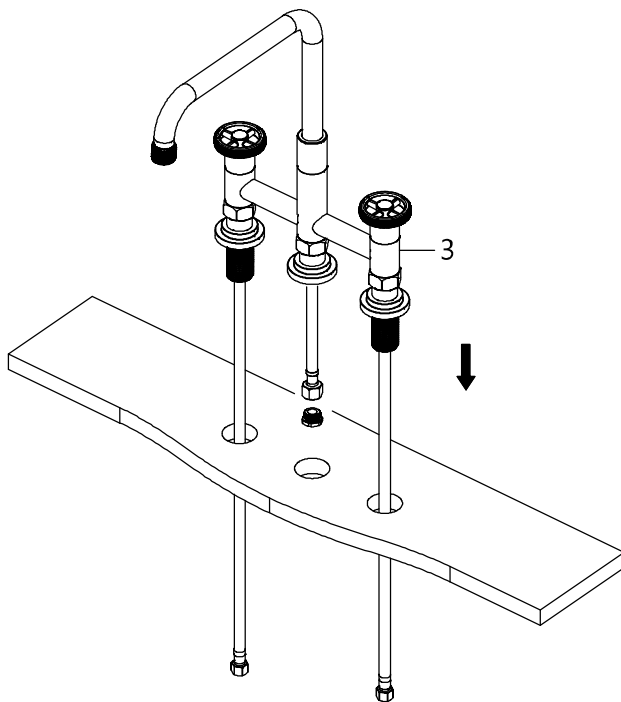
NO Side Sprayer Option

Step 1. Drill countertop



Drill 3 holes into the countertop for the faucet body (1).

Step 2. Install faucet assembly



Install the faucet assembly through the holes in the countertop.