

# Kr<sup>ä</sup>us<sup>®</sup>

INSTALLATION MANUAL

## Allyn<sup>™</sup> Transitional Bridge Kitchen Faucet with Pull Down

KPF-3121

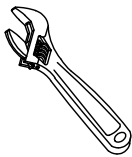
 [kitchensource.com](http://kitchensource.com)

 1.800.667.8721

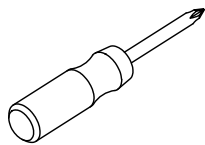
## Prior to Installation:

- Make sure you have all necessary parts by checking the diagram and parts list. If any part is missing or damaged, please contact Customer Service for a replacement.
- Turn off the hot and cold water supply at the angle stops and turn on the old faucet to release any built up pressure. Remove existing faucet. Clean sink or countertop to remove any debris, plumber's putty, or silicone.
- Flush angle stops to release any debris prior to installation.
- Pre-drilled hole size requirement: 1 1/4" (min) - 1 1/2" (max)
- Max countertop thickness: 2 1/2"
- 
- 3 hole installation

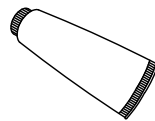
## Tools Required



Adjustable Wrench



Phillips Screwdriver

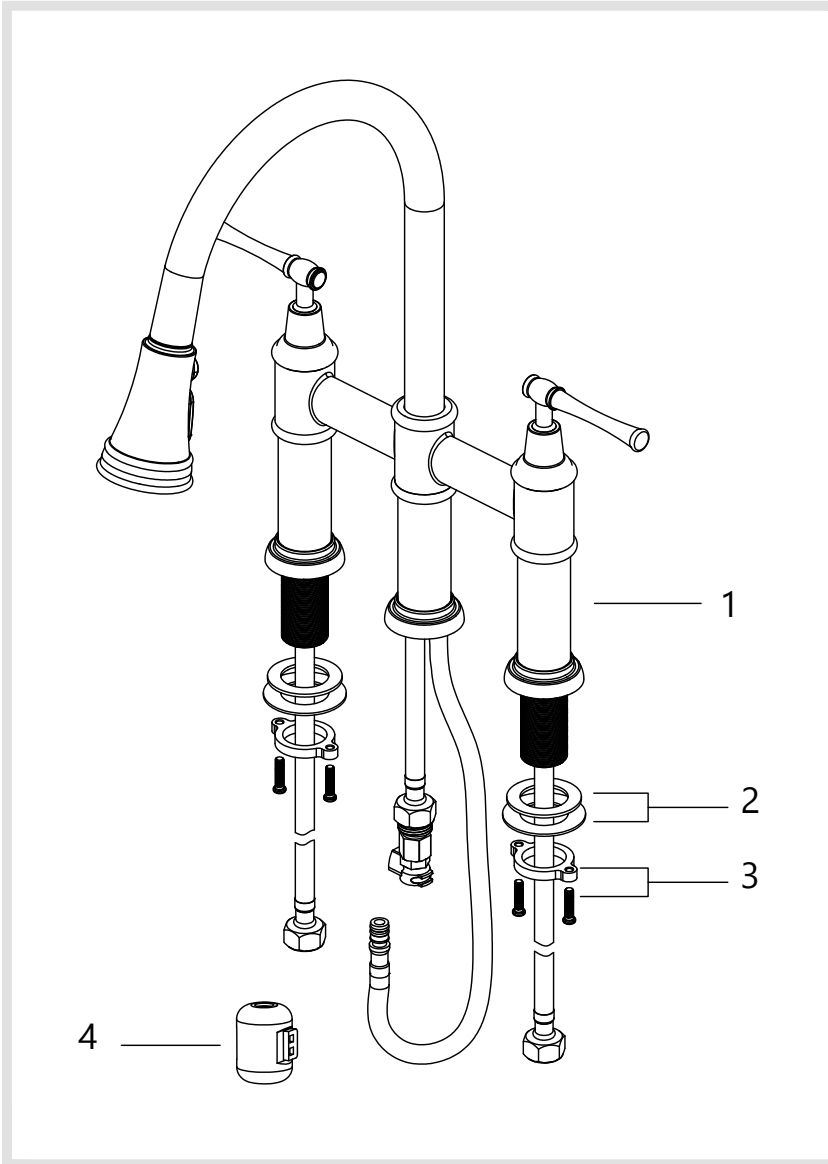


Silicone Sealant



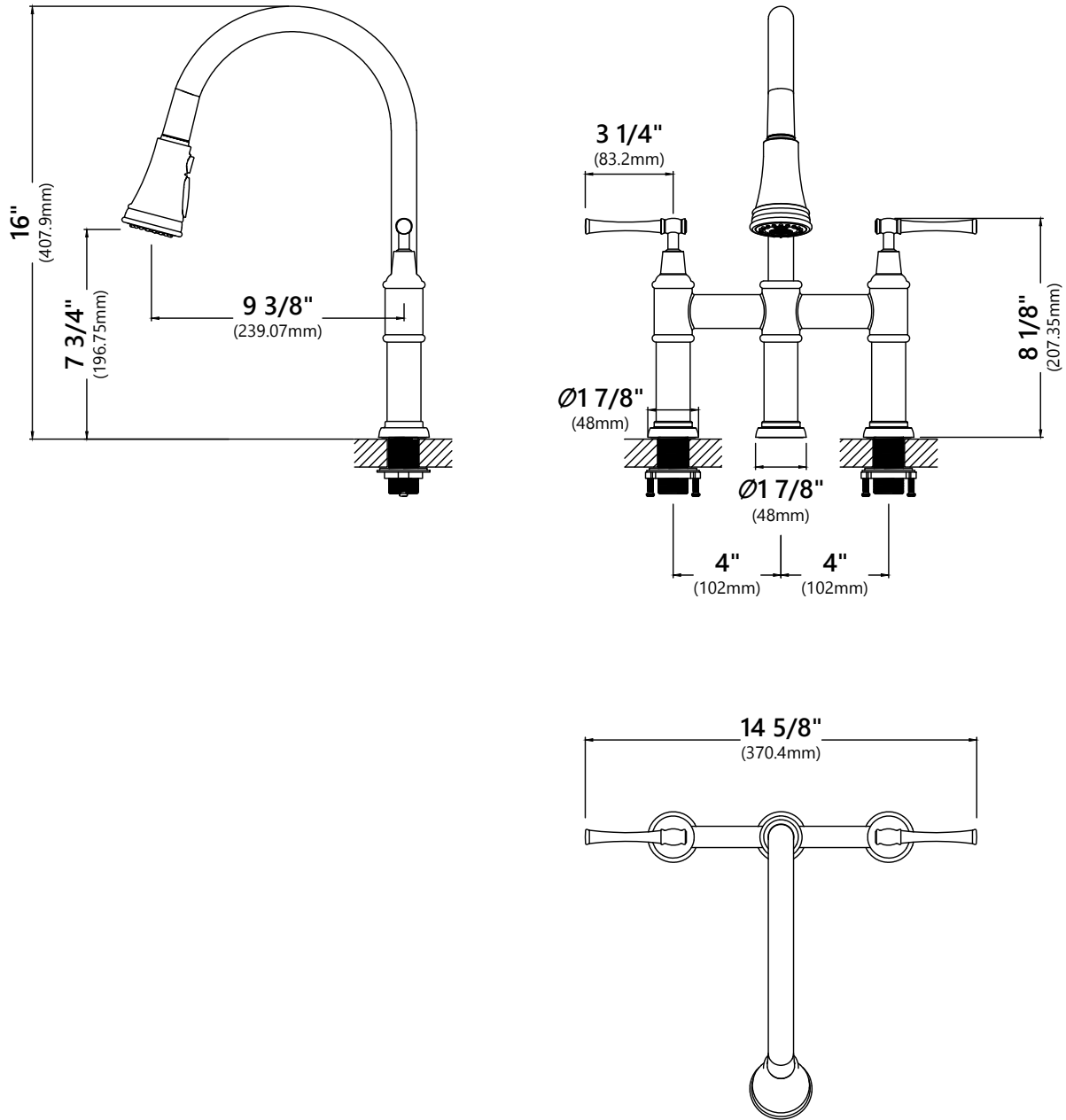
Safety Goggles

## Diagram and Parts List



1. Faucet Body
2. Rubber & Metal Washer
3. Mounting Nut & Screws
4. Weight

# Faucet Installation Procedure

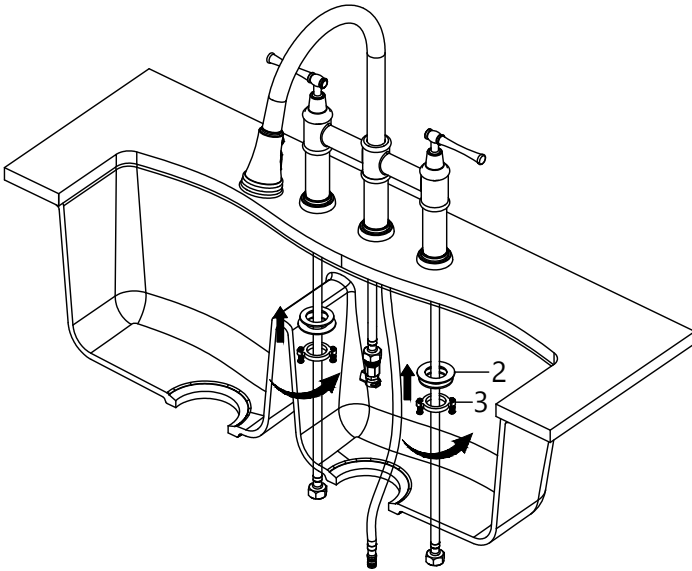


## Installer Tip:

Shut off main water supply before installing new faucet.

## Step 1. Install faucet and secure mounting hardware

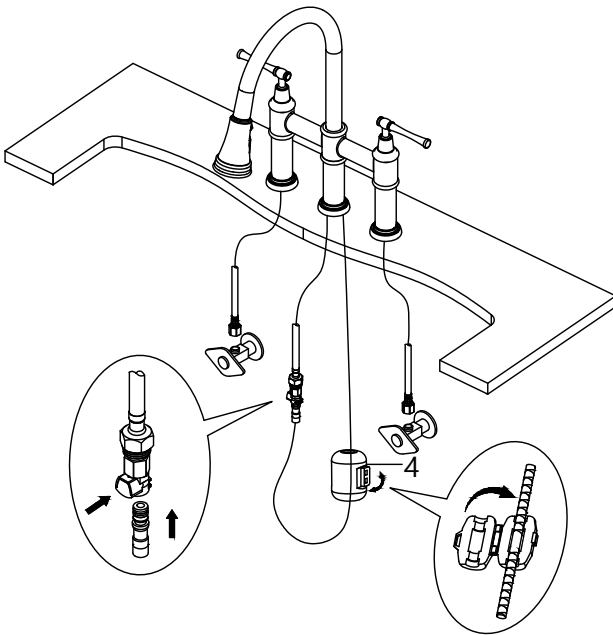
---



Secure the faucet body with the rubber and metal washers (2) and the mounting nuts and screws (3). Do not overtighten.

## Step 2. Attach spray hose and weight

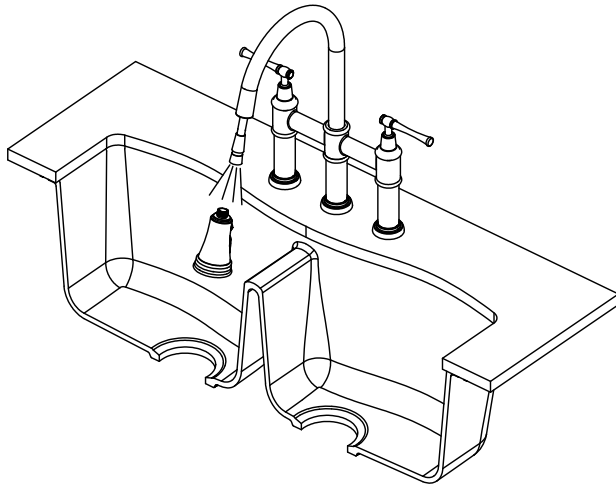
---



Connect spray hose to quick connector attached to supply line. Install weight (4) on lowest vertical point on spray hose. White line on the spray hose should be in the center of the weight.

NOTE: Please see Step 5 on page 8 to change the flow rate of the faucet.

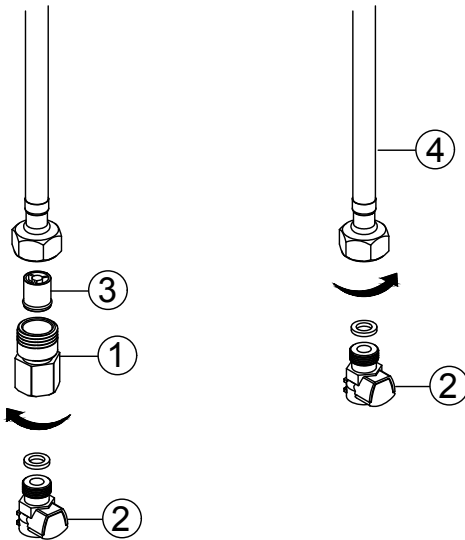
### Step 3. Flush spray hose



Remove spray head from spray hose. Hold tip of spray hose. Turn faucet on and let the water run for 60 seconds to flush any debris.

NOTE: Please make sure washer is installed attaching spray head to hose.

### Step 4. Flow regulator replacement



This faucet ships with a 1.8 GPM flow restrictor installed. Remove the 1.8 GPM flow restrictor and the flow rate will be 2.2 GPM.

To switch the flow rate of the faucet:

1. Disassemble the quick connect assembly by unthreading the waterflow adapter (1) and discarding.
2. Reinstall the quick connect assembly (2) by threading it directly into the water pipe (4).

**NOTE:** In compliance with CEC standards, this faucet is designed with a 1.8 gpm flow rate. At your discretion, you may modify the product with the included 2.2 gpm restrictor. Please note that doing so will remove the capability of this product to meet specific low-flow standards. Kraus is not liable for any alterations made to the product post-sale, and highly advises that you consult with your local or statewide plumbing enforcement agency prior to any modification.