

# Kräus®

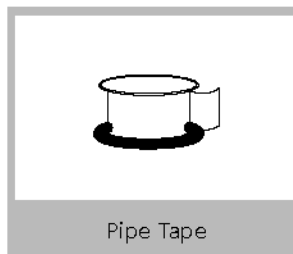
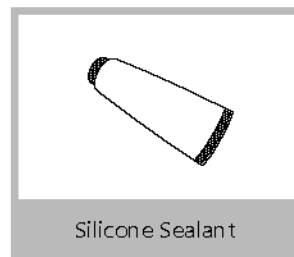
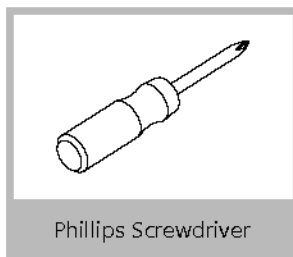
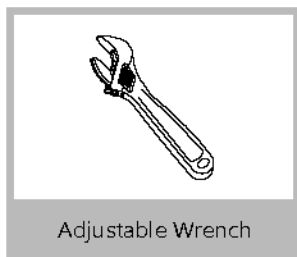
INSTALLATION MANUAL

## Oletto™ Pull Down Kitchen Faucet

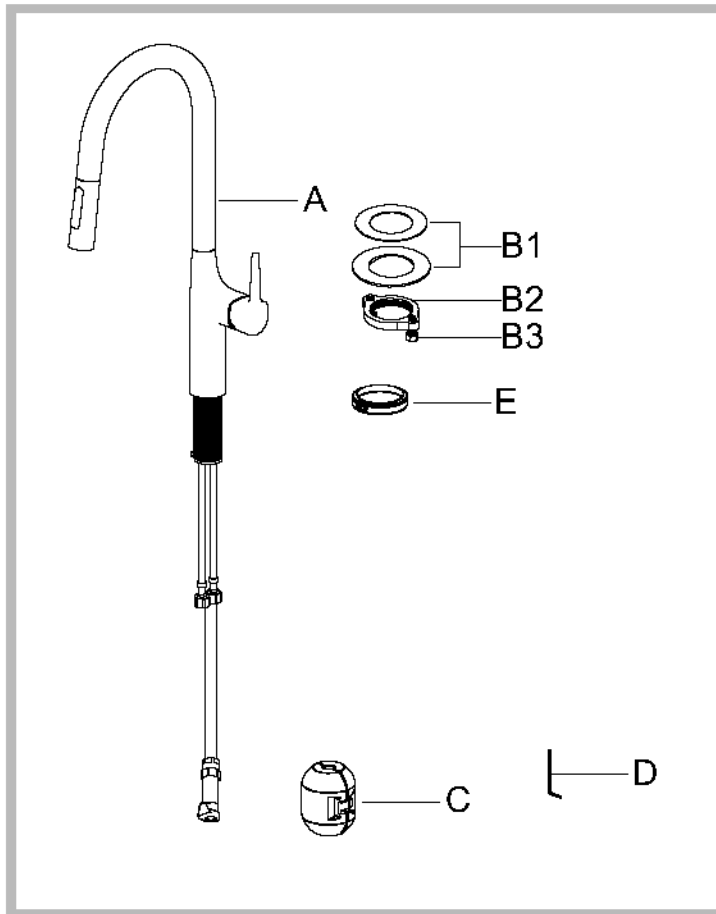
KPF-3101

**Prior to Installation:**

- Make sure you have all necessary parts by checking the diagram and parts list.
- Turn off the hot and cold water supply at the angle stops and turn on the old faucet to release any built up pressure. Remove existing faucet. Clean sink or countertop to remove any debris, plumber's putty, or silicone.
- Flush angle stops to release any debris prior to installation.
- Pre-drilled hole size requirement: 1 3/8" (min)
- Max countertop thickness: 1 3/4"

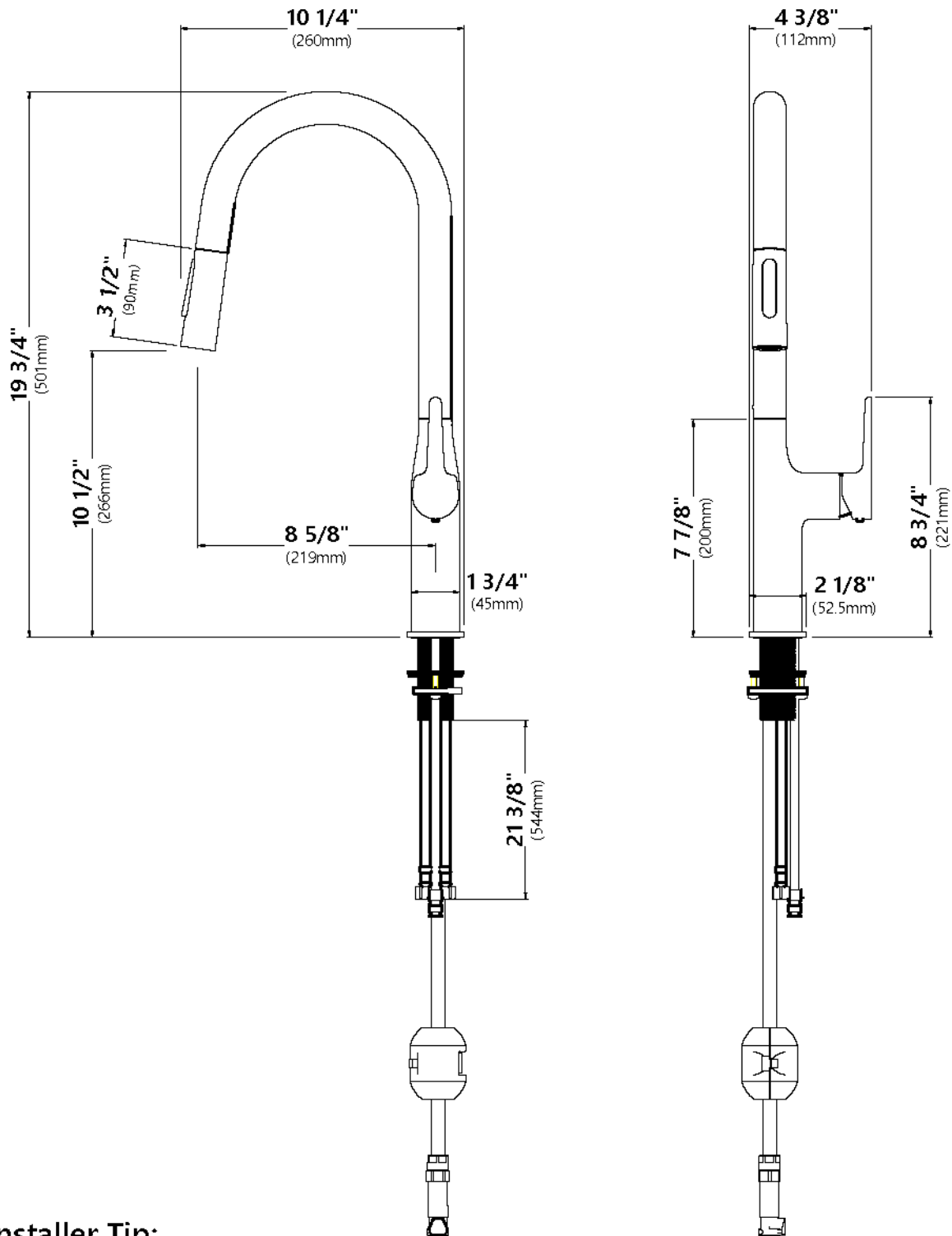
**Tools Required**

**Diagram and Parts List**



- A. Faucet Body
- B. Mounting Hardware
  - 1. Rubber & Metal Washer
  - 2. Mounting Nut
  - 3. Mounting Screws
- C. Weight
- D. Hex Key
- E. Base Seat Assembly

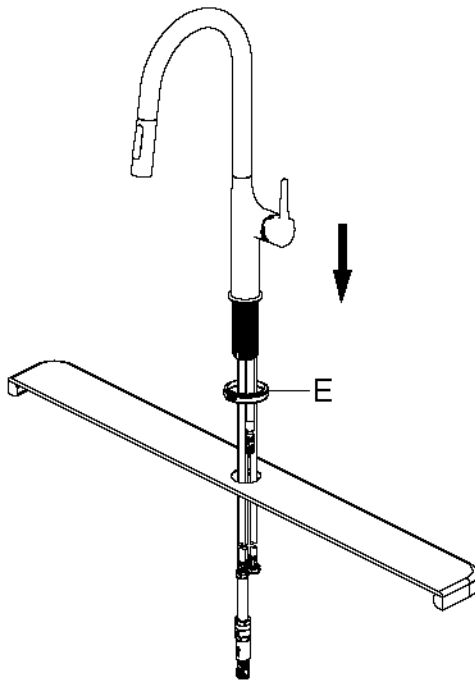
**Faucet Dimension**



**Installer Tip:**

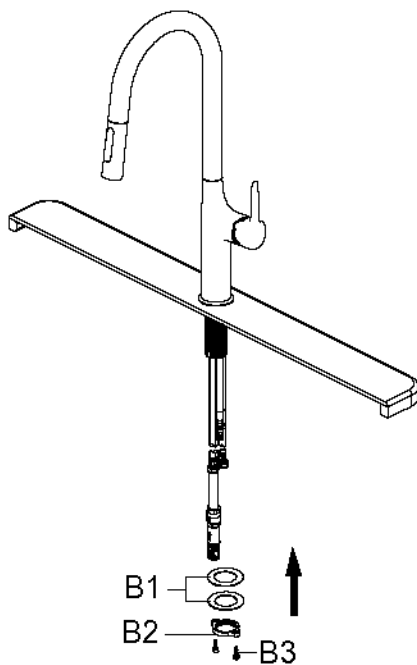
Shut off main water supply before installing new faucet.

### Step 1. Installing the faucet assembly



Insert all the hoses through the Base Seat Assembly (E).  
Insert the faucet body through the hole in the sink or countertop.

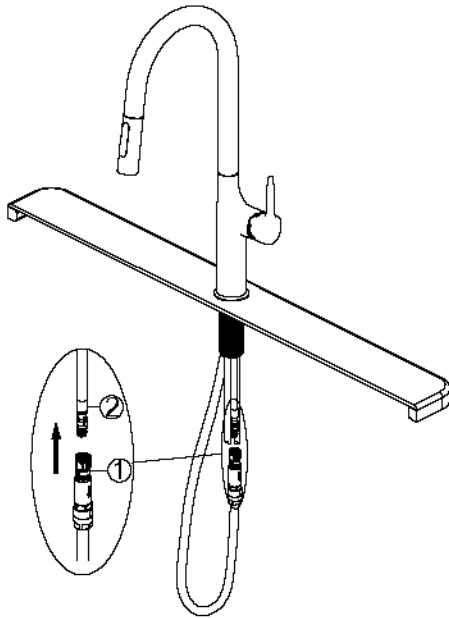
### Step 2. Securing the faucet assembly



Install the rubber washer and metal washer (B1) onto the threaded mounting shank. Thread the nut (B2) onto the mounting shank. Lock the nut (B2) into position by tightening the screws (B3). Do not overtighten.

### Step 3. Securing the faucet assembly

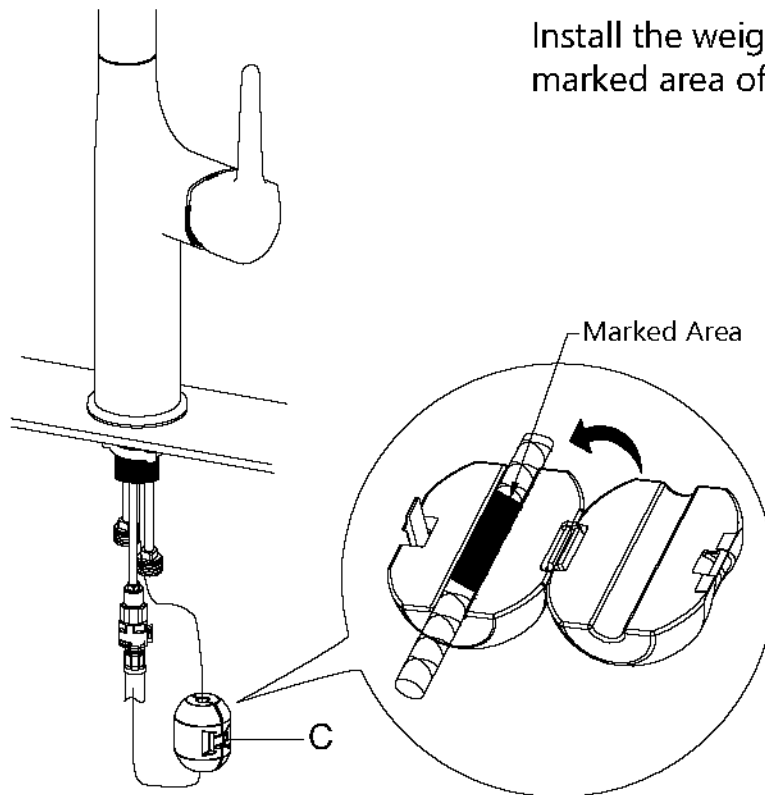
---



Push the quick connector (1) firmly upward and attach it to the receiving block (2). Pull down moderately to ensure the connection has been made.

### Step 4. Attach the counterweight

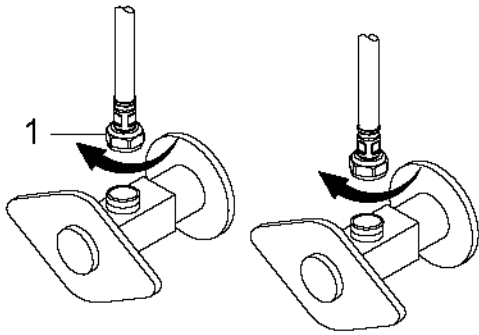
---



Install the weight (C) on the marked area of the spray hose.

## Step 5. Making the waterline connections

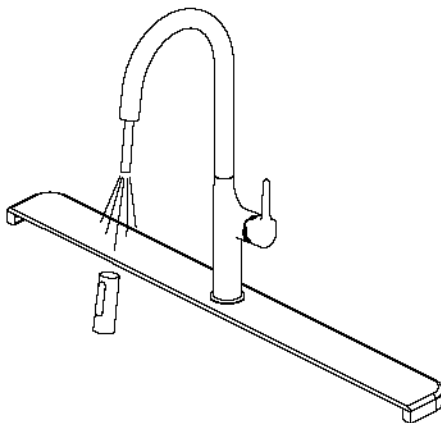
---



Thread the nut (1) on the supply line onto the outlet of the water supply valve and tighten with a wrench. Do not overtighten.

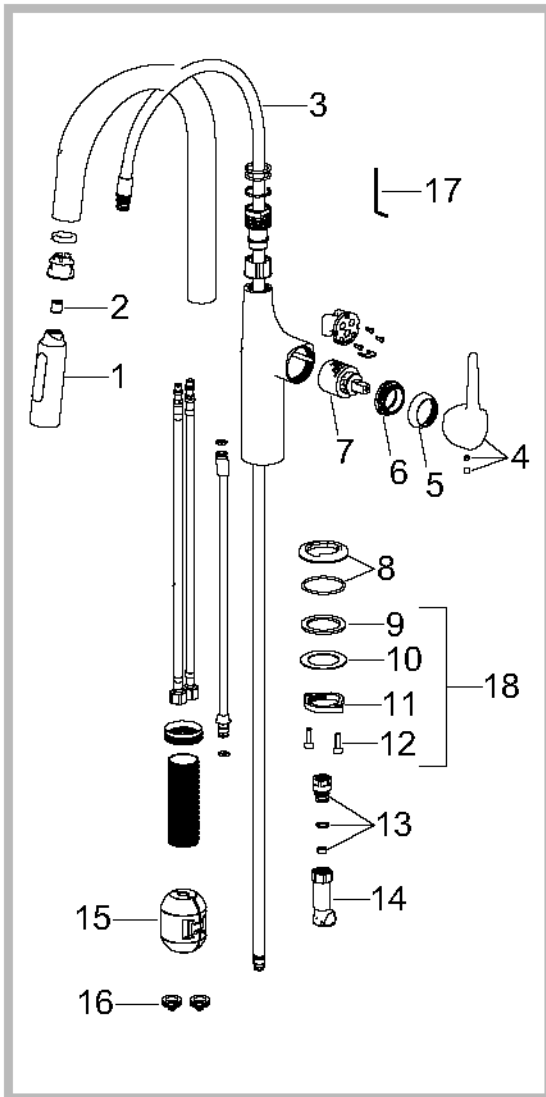
## Step 6. Flushing and checking for leaks

---



Pull the hose assembly out of the spout and remove the spray head by unscrewing it from the hose in a counterclockwise direction. Be sure to hold the end of the hose down into the sink and turn the faucet on to the warm position where it mixes hot and cold water. Flush the water lines for one minute. This flushes away any debris that could cause damage to internal parts. Check for leaks. Re-tighten any connections if necessary, but do not overtighten. Reinstall the spray head by hand tightening it back onto the spray hose. After installation is completed, turn on the hot and cold water supplies. Check for leaks.

**Replacement Parts**



Replacement Parts List	Finish/Color	Part #
1. Sprayer Head	CH,SFS,MB,BG*	KP46002
2. Check Valve		KP46025
3. Sprayer Hose	CH,SFS,MB,BG*	KP46001
4. Handle Assembly	CH,SFS,MB,BG*	KP46022
5. Cartridge Cover	CH,SFS,MB,BG*	KP46015
6. Locking Nut		KP46013
7. Cartridge		KP46012
8. Base Seat Assembly	CH,SFS,MB,BG*	KP46021
9. Rubber Washer		KP46004
10. Metal Washer		KP46006
11. Mounting Nut		KP46007
12. Mounting Screw		KP46008
13. 1.8GPM Flow Restrictor	WH*	KP46011
14. Quick Connector		KP46010
15. EZ-Weight		KP46009
16. Filter Washer		KP46024
17. Hex Key		KP46017
18. Mounting Hardware Kit (includes KP46004,KP46006, KP46007,KP46008)		KP46038

\*Denotes faucet component color options:

- CH - Chrome
- SFS - Spot Free Stainless Steel
- MB - Matte Black
- BG - Brushed Gold
- WH - White
- BL - Black



## Trouble-Shooting

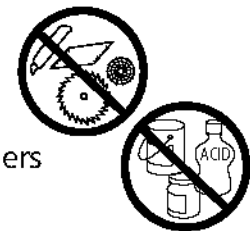
If you have followed the instructions carefully and your faucet still does not work properly, take the following corrective steps:

PROBLEM	CAUSE	ACTION
Leakage under faucet handle	Locking nut has come loose or cartridge needs to be reseated.	Remove button located at top of handle. Loosen set screw with hex wrench. Remove handle and unscrew cartridge cover by hand. Tighten locking nut with an adjustable wrench.
Water does not shut off completely	Cartridge may need to be adjusted or replaced.	Remove button located at top of handle. Loosen set screw with hex wrench. Remove handle and unscrew cartridge cover by hand. Unscrew locking nut with an adjustable wrench. Remove ceramic disc cartridge. Check for cracks, and if O-ring is seated correctly. Reseat cartridge.
Leaking between spray head and the hose	Spray head may be loose or washer is not seated correctly in the hose connection.	Tighten spray head by hand until snug. Make sure washer is seated correctly.
Hose does not retract	Weight may be installed incorrectly.	Readjust weight on hose.
Low flow	Aerator may be dogged  The screen filter in the hose connectors is dirty.	Unscrew aerator with aerator key. Hold tip of spray head and turn on water to flush debris.  Turn off the water supply at water valve and unscrew the hose connectors from water supply lines. Clean the screen in the water lines with hot water, removing any debris or calcium build up.

## Care & Maintenance

\* To keep the product clean & shining, follow the steps below:

1. Rinse with clean water & dry with a soft cloth
2. Do not clean with soaps, acid, polish, abrasives or harsh cleaners
3. Do not use cloth with a coarse surface
4. Unscrew the aerator and clean when necessary



\* This installation manual is subject to change without further notice.