

**Kräus®**

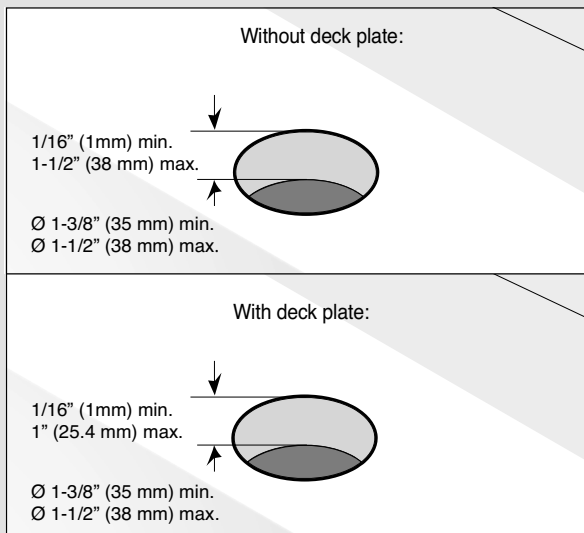
INSTALLATION MANUAL

# Oletto™ Single Lever Pull Down Kitchen Faucet

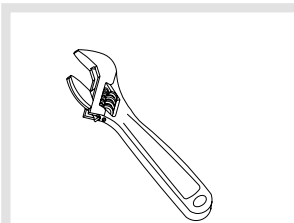
KPF-2620

## Prior to Installation:

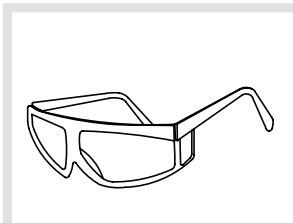
- Make sure you have all necessary parts by checking the diagram and parts list. If any part is missing or damaged, please contact **Customer Service**
- Turn off the hot and cold water supply at the angle stops and turn on the old faucet to release any built up pressure. Remove existing faucet. Clean sink or countertop to remove any debris, plumber's putty, or silicone
- Place bucket under angle stops. Turn on to flush any debris prior to installing new plumbing. Shut off angle stops
- Pre-drilled hole size requirement: 1-3/8" (min) – 1-1/2" (max)
- Max countertop thickness without deck plate: 1-1/2"
- Max countertop thickness with deck plate: 1"
- 1, 2, or 3 hole installation



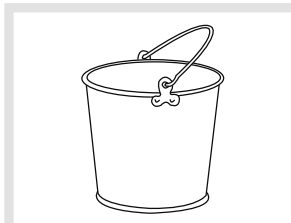
## Tools you will need:



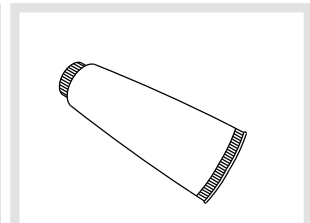
Adjustable Wrench



Safety Goggles

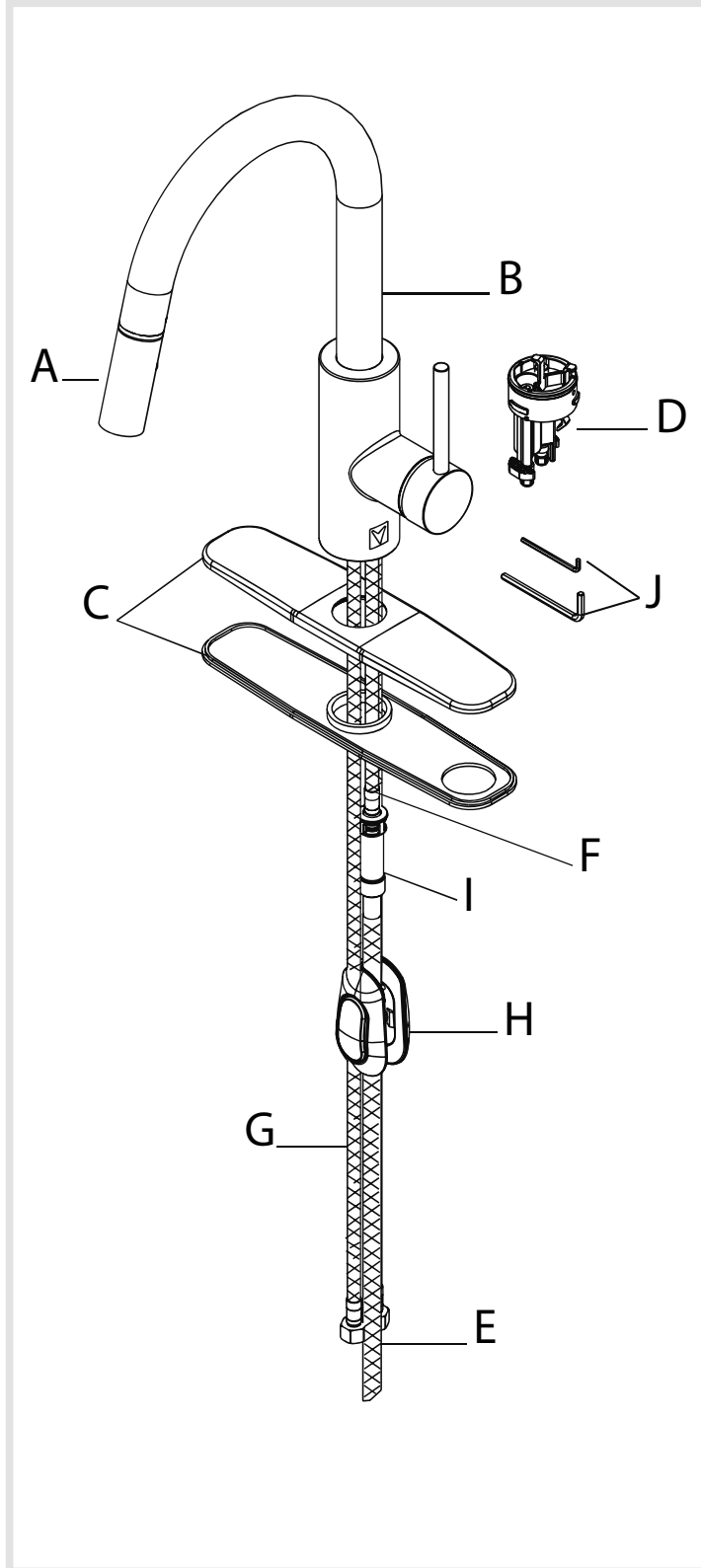


Bucket



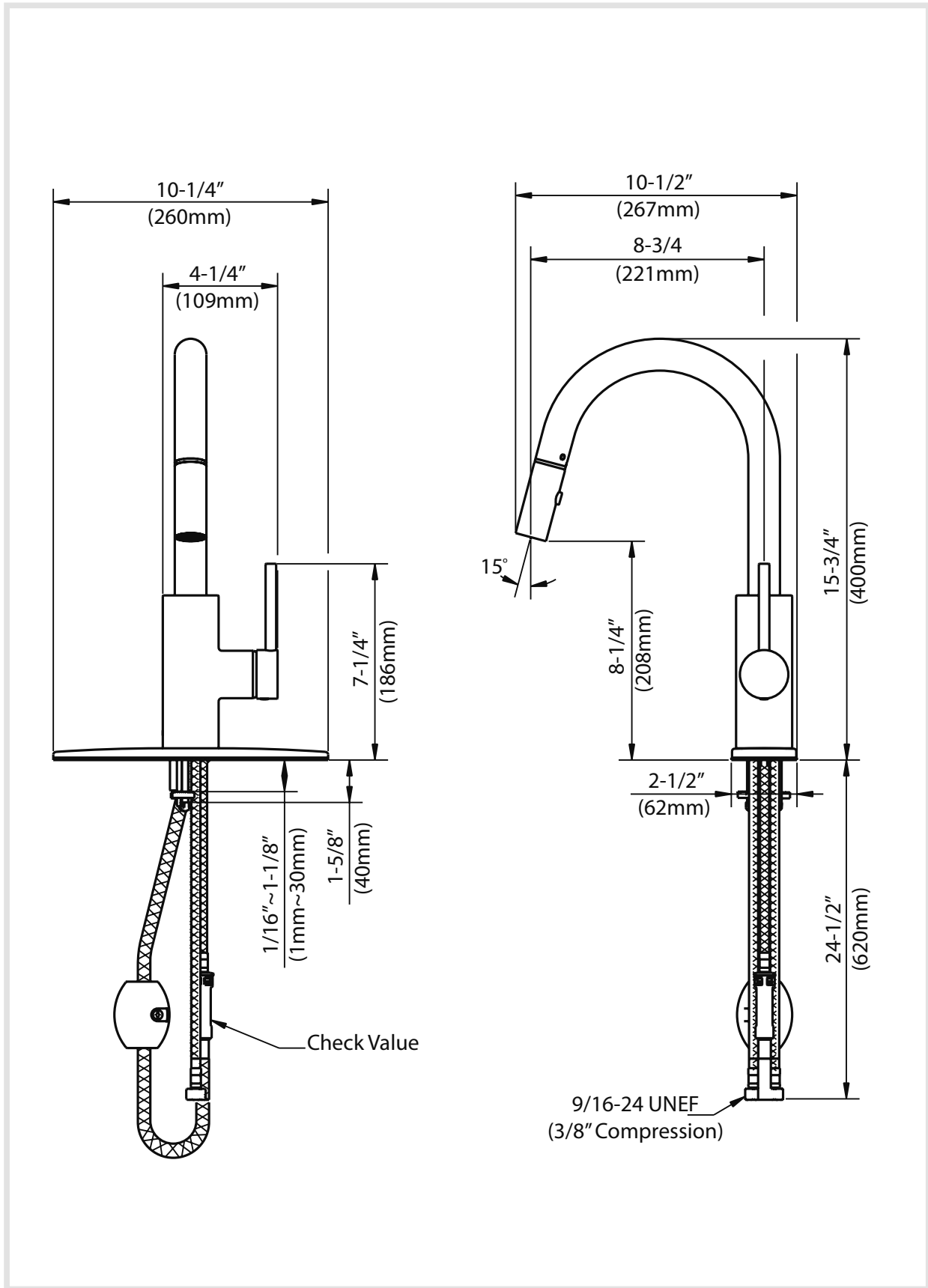
Silicone Sealant

## Diagram and Parts List



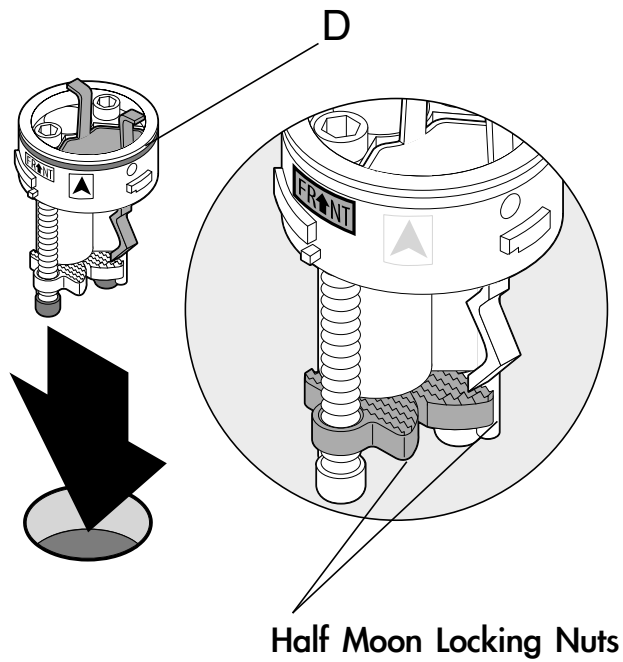
- A. Spray Head
- B. Faucet Body
- C. Deck & Putty Plate
- D. Base
- E. Spray Hose
- F. Supply Hose
- G. Hot & Cold Waterlines
- H. Weight
- I. Quick Connect
- J. Hex Wrench Set
  - J1. 2.5mm
  - J2. 4mm

# Faucet Dimensions



## Step 1A: Install base without deck & putty plate

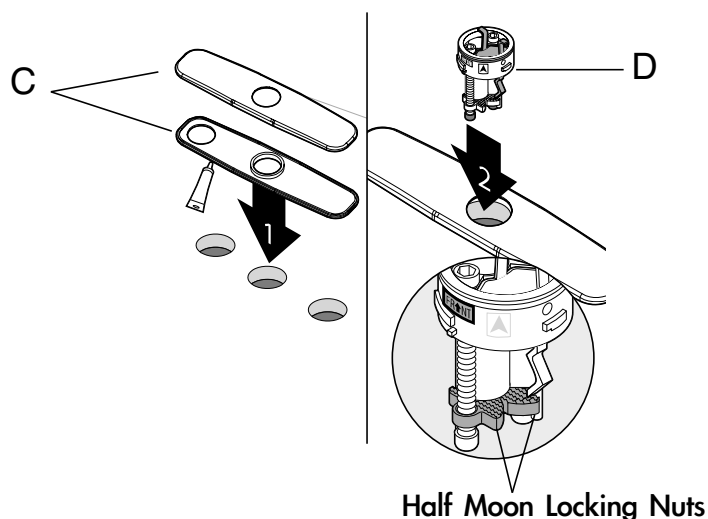
---



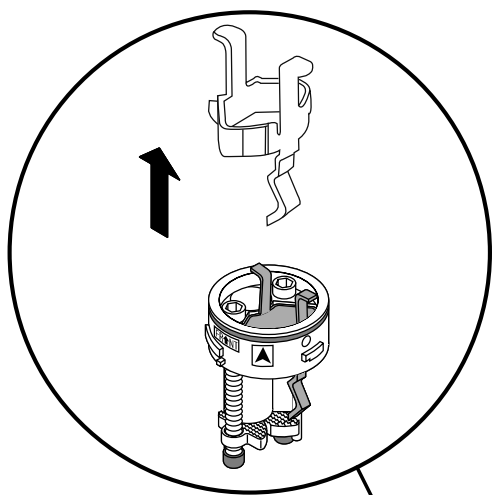
Insert base (D) into sink or countertop with "FR↑NT" facing forward. Tighten screws on base (D) with 4mm hex wrench (J) until base is secure on sink or countertop

**Installer Tip:** Rotate the two half-moon shaped locking nuts inward before inserting base (D) into sink or countertop

## Step 1B: Install base with deck & putty plate



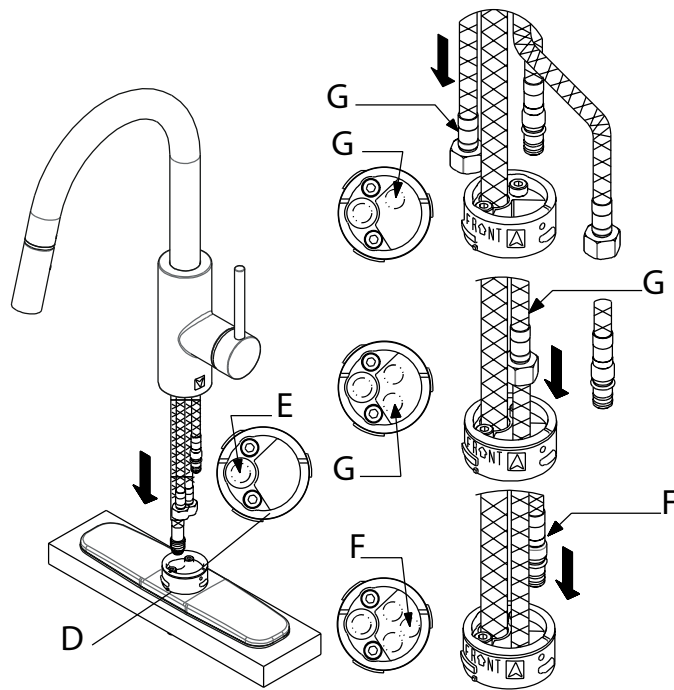
Place a bead of clear silicone sealant (not included) around the edge of the putty plate (C). Secure deck & putty plate (C) on sink or countertop. Insert base (D) into hole of deck & putty plate (C) with "FR↑NT" facing forward. Tighten screws on base (D) with 4mm hex wrench (J) until base is secure on deck & putty plate (C)



**Please Note:** After base (D) is secure, remove clip

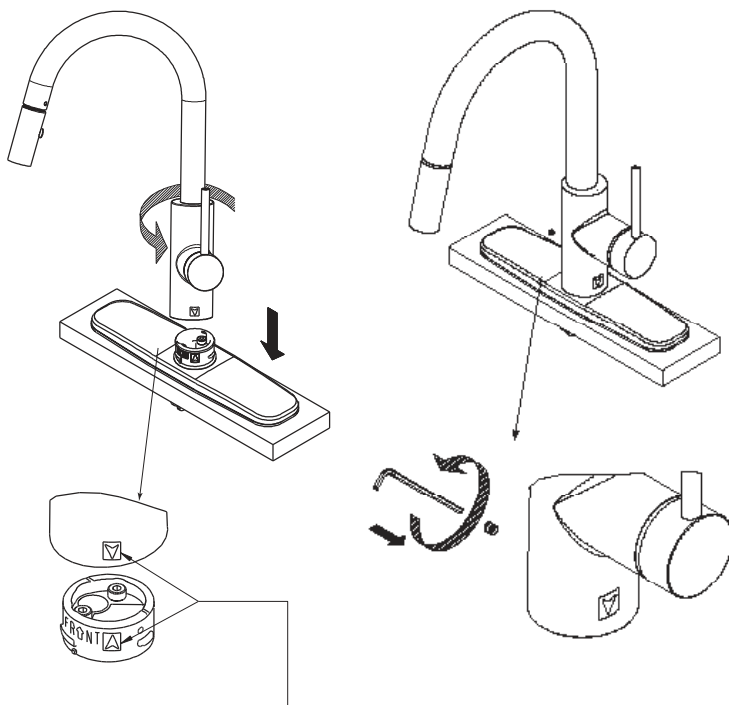
**Installer Tip:** Rotate the two half-moon shaped locking nuts inward before inserting base (D) into deck plate (C)

## Step 2: Install faucet



Remove Quick Connect (I) from spray hose (E). Insert spray hose (E) into small hole of base (D). Insert hot & cold waterlines and supply hose (F), one by one, in large hole of base

## Step 3: Secure faucet

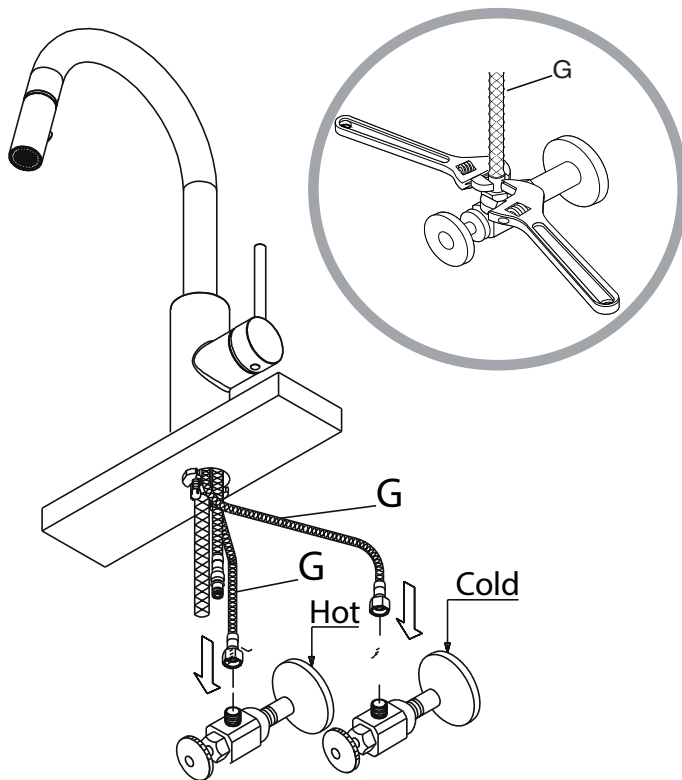


**Note:** "▲" on base should be in alignment with "▼" on faucet body. Rotate faucet counterclockwise to secure on base.

Align arrow on faucet body (B) with arrow on base (D). Attach faucet body (B) to base (D) and turn counter-clockwise. Secure faucet body (B) by tightening the set screw with 2.5mm hex wrench (J)

**Installer Tip:** Please loosen set screw from faucet body (B) prior to securing to base (D)

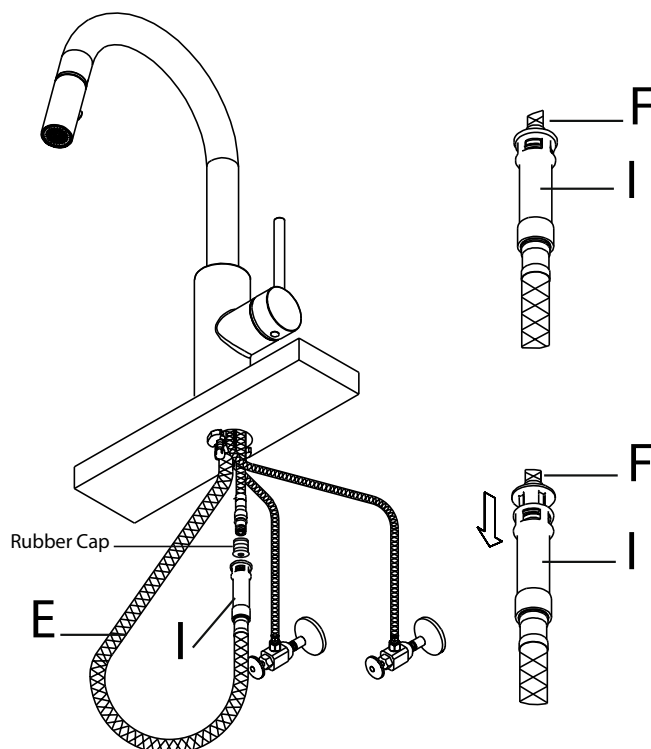
## Step 4: Connect waterlines to main valve



Thread hot & cold waterlines (G) onto angle stops. Tighten with adjustable wrench until snug. Turn on the angle stops and check for leaks (DO NOT TURN FAUCET ON)

**Installer Tip:** Use two wrenches when securing waterlines to angle stops to prevent kinking, as shown in picture

## Step 5: Connect quick connect



Attach Quick Connect (I) to spray hose (E). Attach the other end onto the supply hose (F) until you hear a click

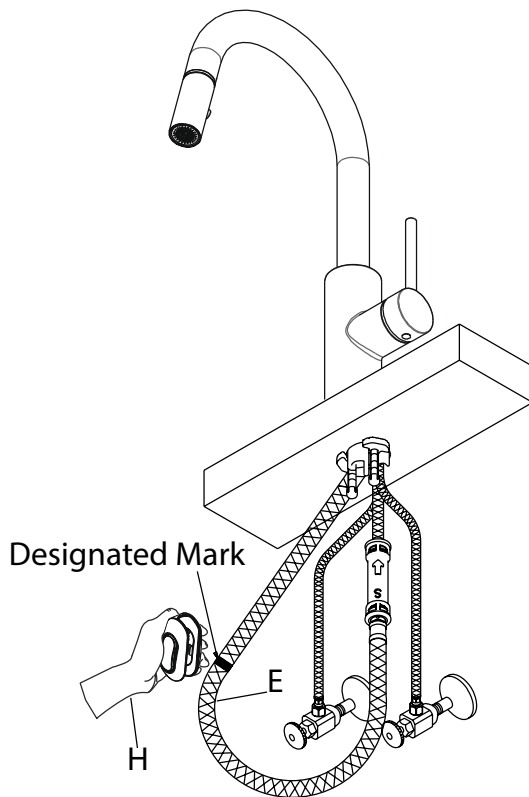
**Installer Tip:** Please remove rubber cap from supply hose (F) prior to installing quick connect (I)

**Installer Tip:** Tug on the spray hose (E) moderately to ensure connection is secure



## Step 6: Install weight

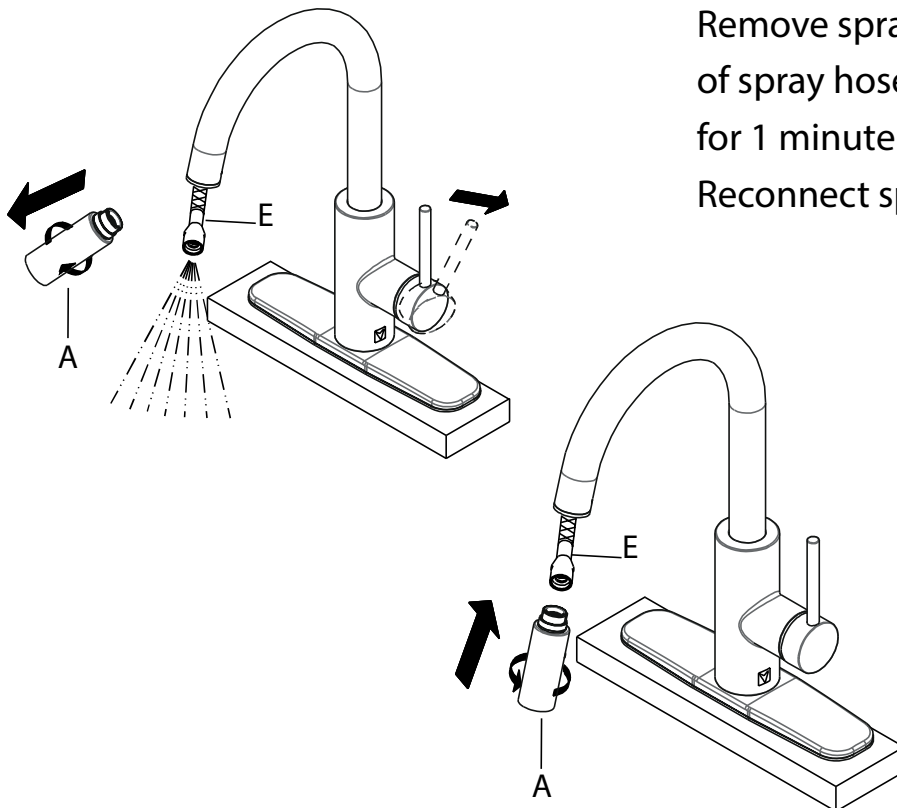
---



Attach weight (H) on the designated mark on the spray hose (E)

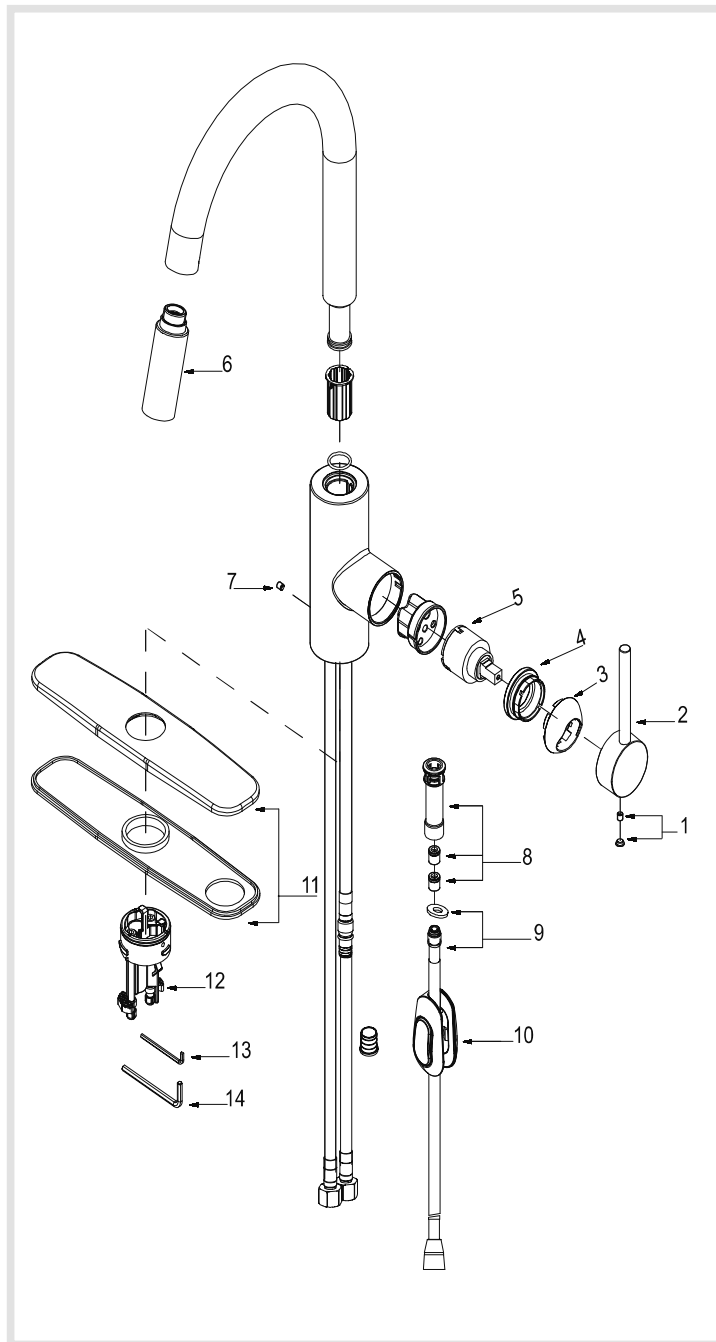
## Step 7: Flush faucet

---



Remove spray head (A). Hold tip of spray hose (E). Turn faucet on for 1 minute to flush any debris. Reconnect spray head (A)

## Replacement Part List



1. A Index Button  
B Set Screw
2. Metal Handle
3. Cartridge Cover
4. Locking Nut
5. Cartridge
6. Spray Head
7. Set Screw
8. Quick Connect Assembly
9. Spray Hose
10. Weight
11. Cover & Putty Plate
12. Base
13. Hex Wrench 2.5mm
14. Hex Wrench 4mm

## Trouble - Shooting

If you have followed the instructions carefully and your faucet still does not work properly, take the following corrective steps:

PROBLEM	CAUSE	ACTION
Leaking from spray hose	Quick Connect (8) may be installed incorrectly	Remove Quick Connect (8) from spray hose (9) and reinstall. Make sure you hear a click when you install it on the spray hose (9)
Water will not shut off completely	Cartridge (5) may need to be adjusted or replaced	Remove index button (1A). Loosen set screw (1B) with 2.5mm hex wrench (13). Remove metal handle (2). Remove cartridge cover (3) by hand only. Remove locking nut (4) with an adjustable wrench. Remove ceramic disc cartridge (5). Check for cracks
Hose does not retract	Weight (10) may be installed incorrectly	Readjust weight (10) on the hose (9). Make sure it is installed on the designated mark on the hose (9)
Low flow	Quick Connect (8) may be clogged with debris	Remove Quick Connect (8) from hoses. Soak in 50/50 solution of warm water and vinegar for 5 minutes, then reinstall

# Care & Maintenance



\*To keep the product clean & shining, follow the steps below:

1. Rinse with clean water & dry with a soft cloth
2. Do not clean with soaps, acid, polish, abrasives, or harsh cleaners
3. Do not use cloth with a coarse surface
4. Unscrew the aerator and clean when necessary

\*This installation manual is subject to change without further notice.

**Download the Kraus Care & Maintenance Guide at:**

<http://www.kraususa.com/maintenance>

## Codes/Standards Applicable:



NSF/ANSI Standard 61 certified by IAPMO  
NSF/ANSI Standard 372 certified by IAPMO



Meets ASME A112.18.1M/A112.18.1  
1.75GPM 6.6L/min maximum

**In requesting warranty service, please be ready to provide:**

1. Proof of purchase.
2. A description of the problem.