


Kr^äus[®]

INSTALLATION MANUAL

Arqo M[™] Pull Down Kitchen Faucet

KPF-2523

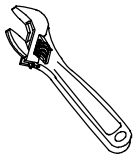
 kitchensource.com

 1.800.667.8721

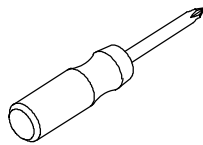
Prior to Installation:

- Make sure you have all necessary parts by checking the diagram and parts list. If any part is missing or damaged, please contact Customer Service
- Turn off the hot and cold water supply at the angle stops and turn on the old faucet to release any built up pressure. Remove existing faucet. Clean sink or countertop to remove any debris, plumber's putty, or silicone.
- Flush angle stops to release any debris prior to installation.
- Pre-drilled hole size requirement: 1 3/8" (min) - 1 1/2" (max)
- Max countertop thickness: 2 1/2"
- 1 or 3 hole installation

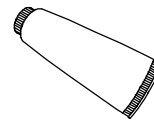
Tools Required



Adjustable Wrench



Phillips Screwdriver



Silicone Sealant

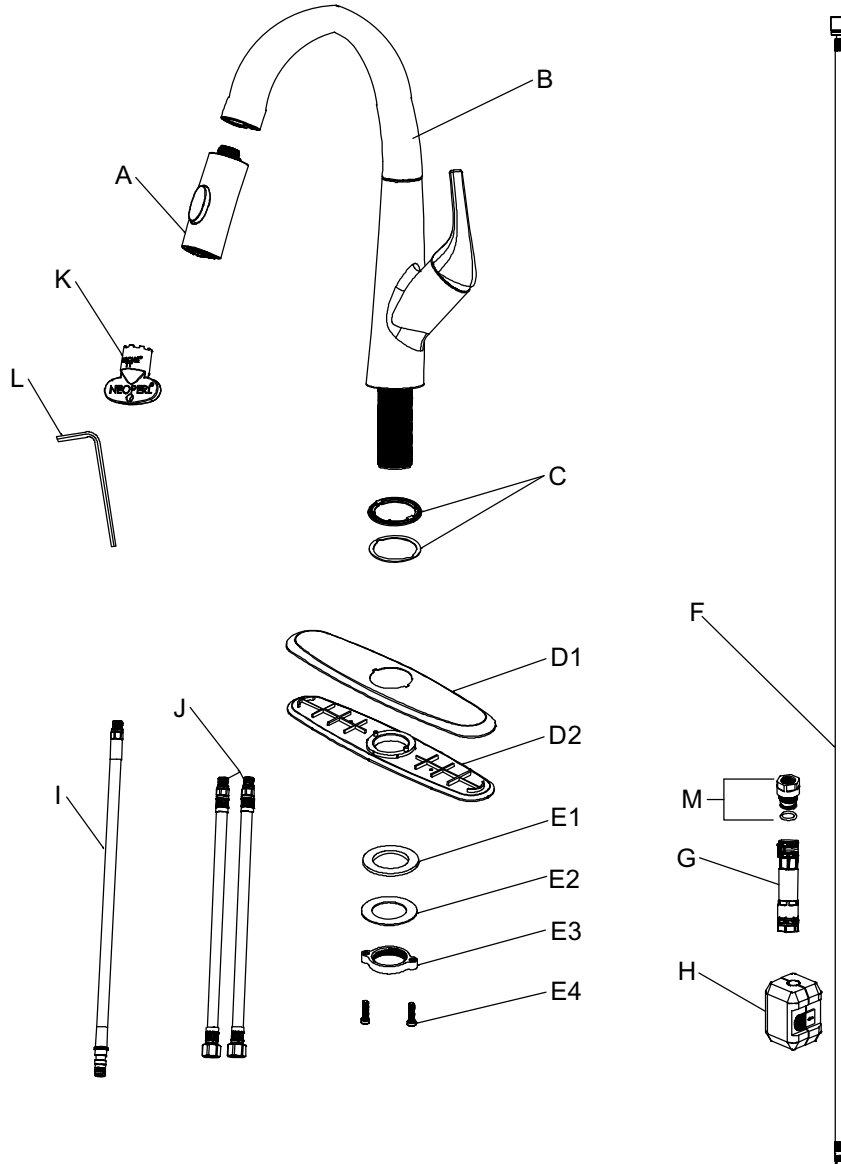


Safety Goggles



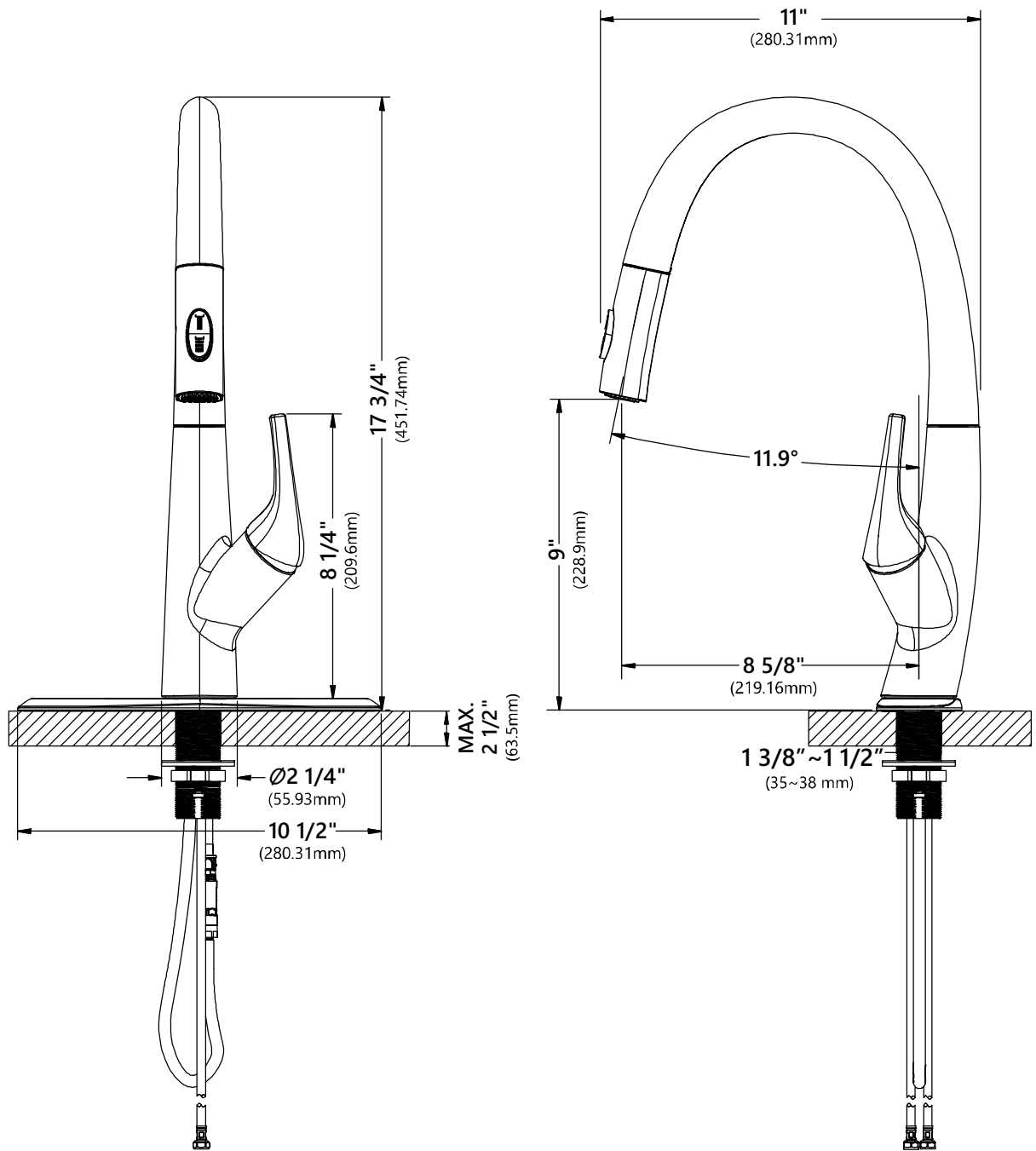
Bucket

Diagram and Parts List



- | | | |
|------------------------|--------------------------|------------------------------------|
| A. Spray Head | E3. Mounting Nut | K. Aerator Key |
| B. Faucet Body | E4. Mounting Screws | L. Hex Wrench |
| C. Base O-Ring | F. Spray Hose | M. 2.2 GPM Flow Restrictor (WHITE) |
| D. Deck Plate Assembly | G. EZ-Connect | |
| E. Mounting Hardware | H. EZ-Weight | |
| E1. Rubber Washer | I. Supply Hose | |
| E2. Metal Washer | J. Hot & Cold Waterlines | |

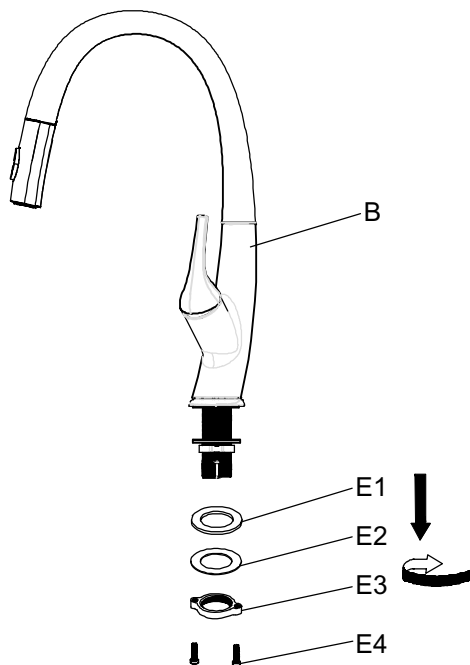
Faucet Installation Procedure



Installer Tip:

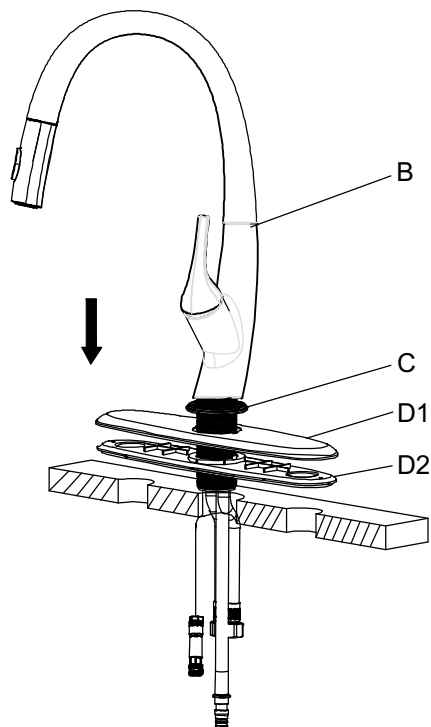
Shut off main water supply before installing new faucet.

Step 1. Remove mounting hardware



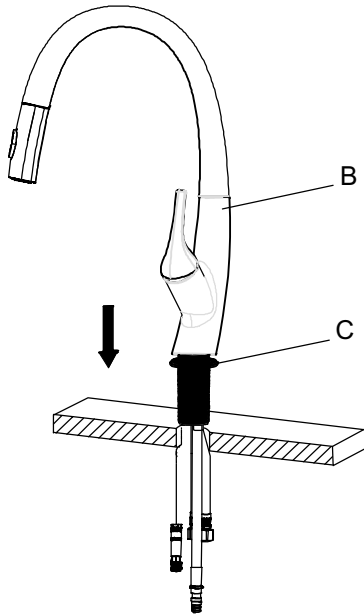
Shut off the water supply. Remove the old faucet. Clean the mounting surface. Remove mounting hardware (E) from faucet body (B).

Step 2A. Install the faucet assembly (with deckplate)



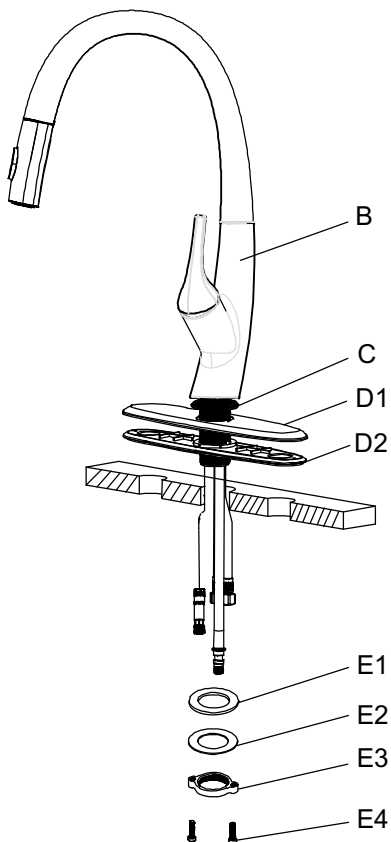
Insert the faucet assembly (B) through the hole in the deck plate assembly (D).
NOTE: Skip this step if installing without deckplate.

Step 2B. Install the faucet assembly (without deckplate)



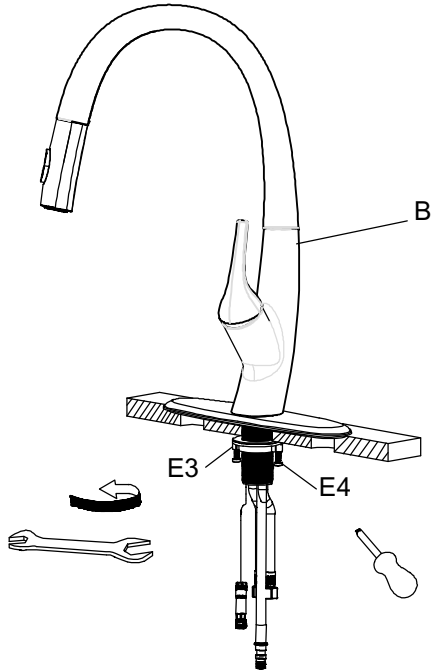
For single-hole installation, deck plate assembly (D) and silicone sealant are NOT required.

Step 3. Secure the faucet assembly



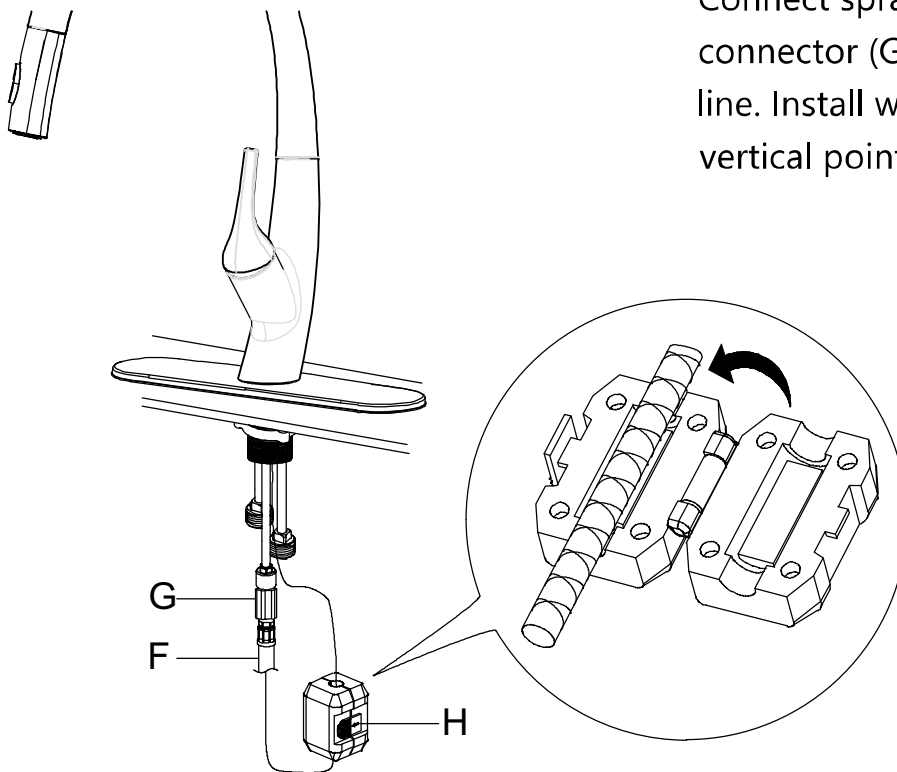
Insert faucet body (B) into hole on countertop or deck plate assembly (D) with base o-ring (C) attached. Attach mounting hardware (E).

Step 4. Secure the faucet assembly



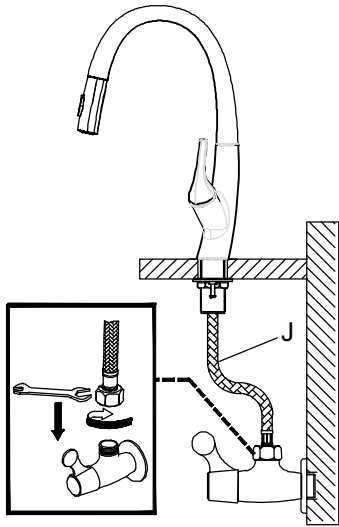
Adjust faucet body (B). Tighten mounting nut (E3) with wrench and mounting screws (E4) with Phillips head screwdriver.

Step 5. Attach spray hose and counterweight



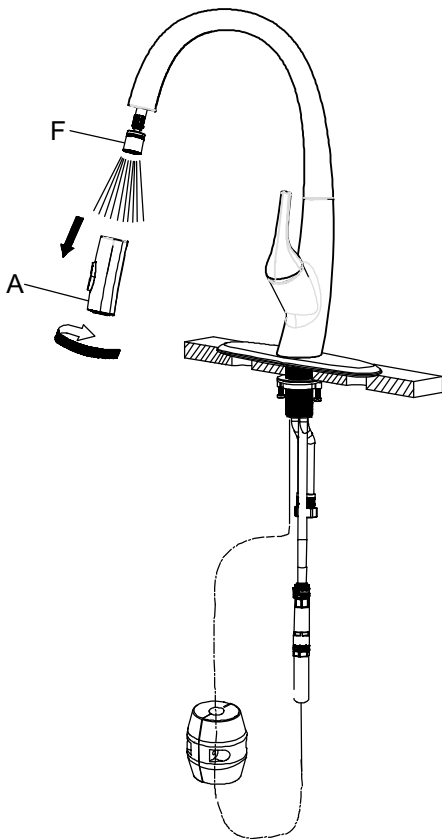
Connect spray hose (F) to quick connector (G) attached to supply line. Install weight (H) on lowest vertical point on spray hose (F).

Step 6. Connect waterlines



Thread hot & cold waterlines (J) onto angle stops. Tighten with adjustable wrench until snug. Turn on the angle stops and check for leaks.
(DO NOT TURN FAUCET ON)

Step 7. Flush spray hose



Remove spray head (A). Hold tip of spray hose (F). Turn faucet on for 1 minute to flush any debris.