

Kr^äus[®]

INSTALLATION GUIDE

 [kitchensource.com](https://www.kitchensource.com)

Britt[™] Single Handle Commercial Kitchen Faucet

KPF-1690

Congratulations on the purchase of your new Kraus plumbing fixture!

Please keep the box and packaging materials until your product is completely installed. If you have any questions, require technical assistance or have any problems with your product:



DO NOT RETURN TO STORE

**Please contact our Customer Service Team
1-800-775-0703 / customerservice@kraususa.com**

Have the model number available and retain a copy of your receipt with purchase date for reference.

If for any reason this product does not meet your expectations, please be sure to repack this product in the original box and packaging material to avoid damage during transit.

Prior to Installation:

- Make sure you have all necessary parts by checking the diagram and parts list.
- Turn off the hot and cold water supply at the angle stops and turn on the old faucet to release any built up pressure. Remove existing faucet. Clean sink or countertop to remove any debris, plumber's putty, or silicone.
- Place bucket under angle stops. Turn on angle stops to flush any debris prior to installing new plumbing. Shut off angle stops.
- Max countertop thickness: 2 1/8"
- Pre-drilled hole size requirement: 1 3/8"
- 1 or 3 hole installation

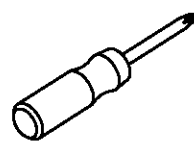
Tools you will need:



Adjustable Wrench



Bucket

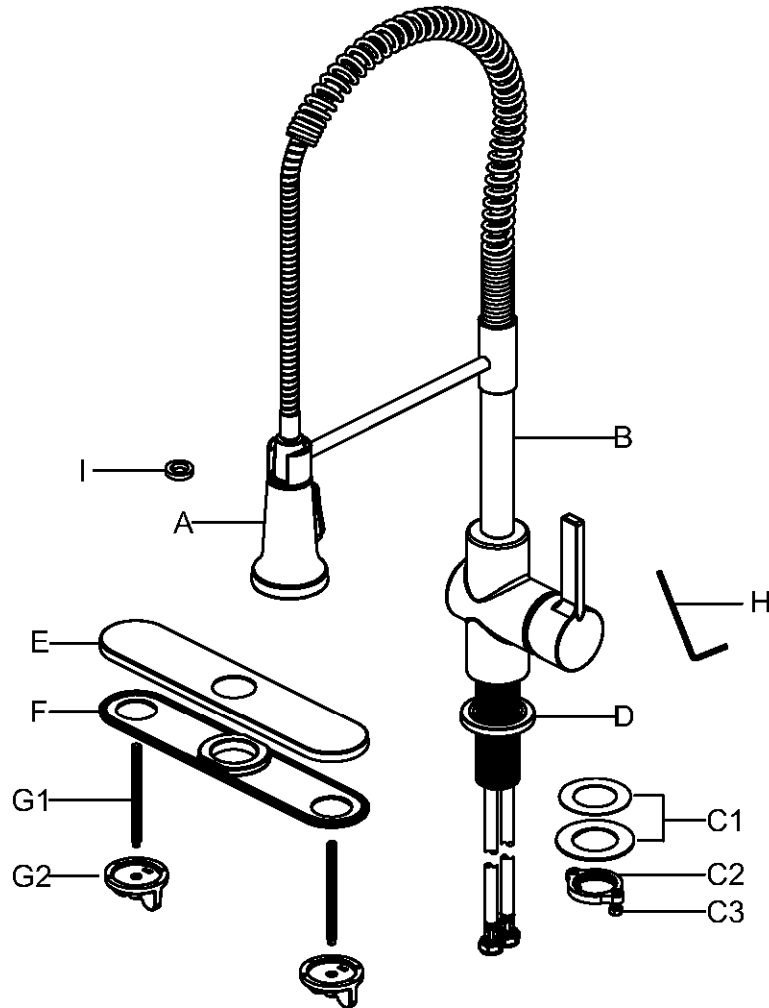


Phillips Screwdriver



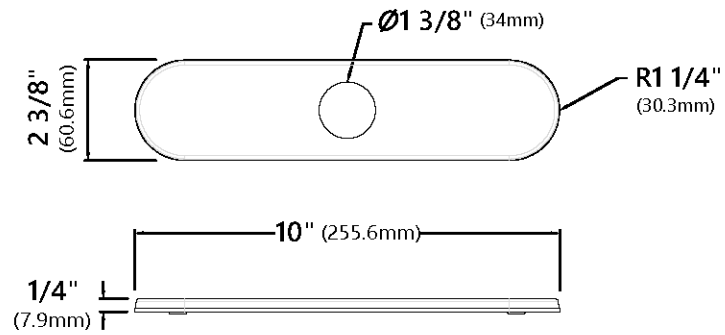
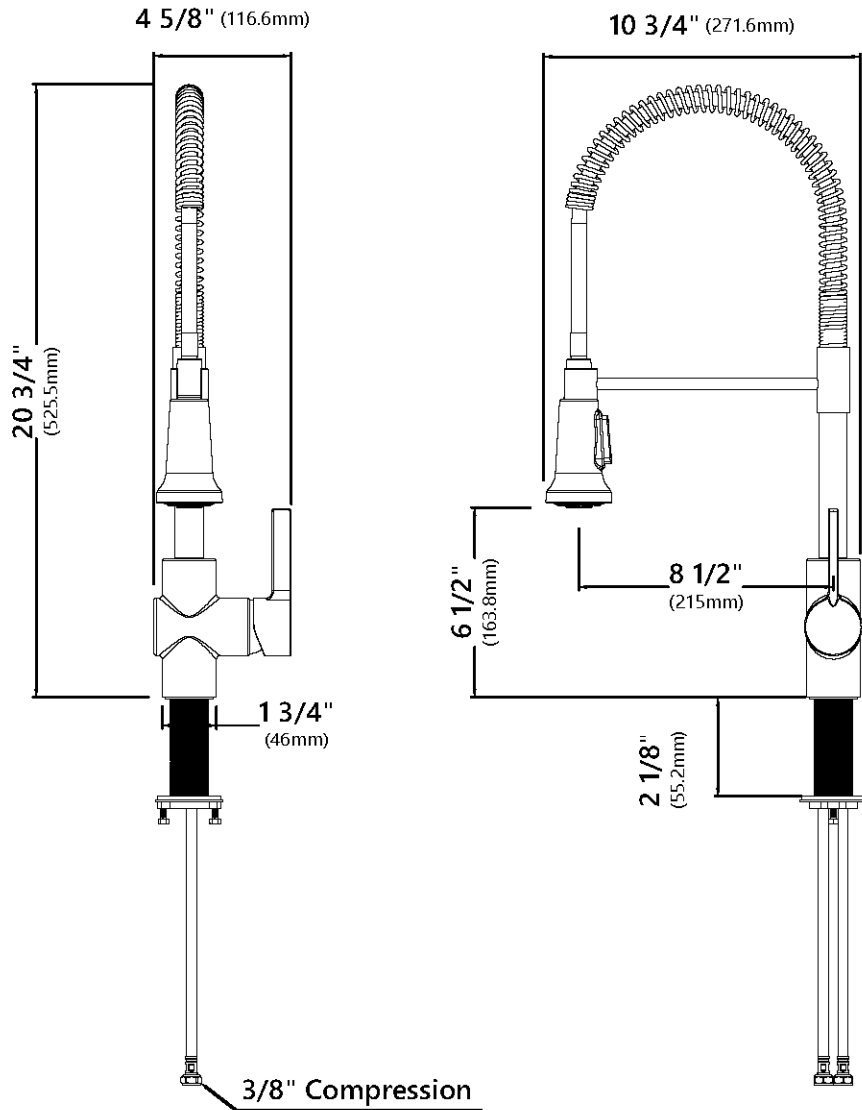
Safety Goggles

Diagram and Parts List



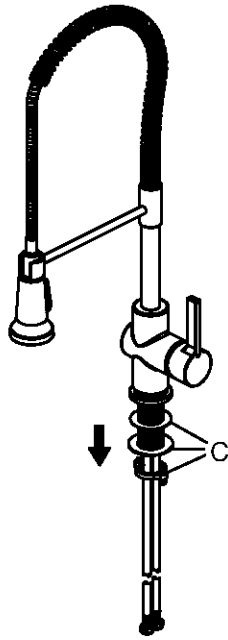
- | | |
|---------------------------|---------------------------------|
| A. Spray Head | E. Escutcheon |
| B. Faucet Body | F. Base Plate |
| C. Mounting Hardware | G. Escutcheon Mounting Hardware |
| C1. Rubber & Metal Washer | G1. Bolt |
| C2. Mounting Nut | G2. Plastic Nut |
| C3. Mounting Screw | H. 2.5 mm Hex Wrench |
| D. Flange & Washer | I. 2.2 GPM Washer |

Faucet Dimensions



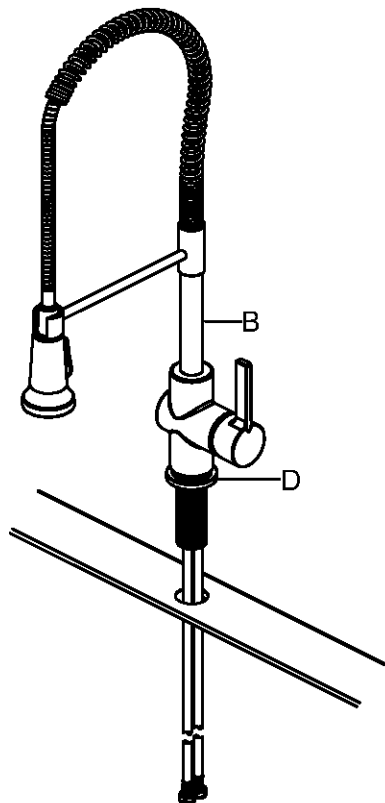
* Optional Deck Plate

Step 1. Remove mounting hardware



Shut off the water supply. Remove the old faucet. Clean the mounting surface. Remove mounting hardware (C) from faucet body (B).

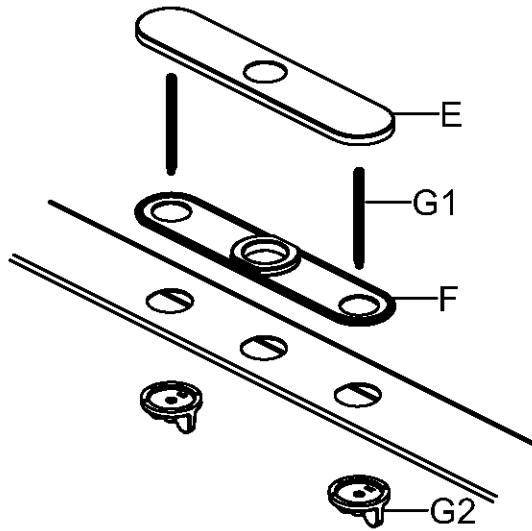
Step 2. Install the faucet assembly (without deckplate)



Before installation, ensure that the flange (D) is placed on the bottom of the new faucet assembly (B). Insert the faucet body through the hole in the sink.

NOTE: Skip this step and move on to Step 3 if installing with deckplate.

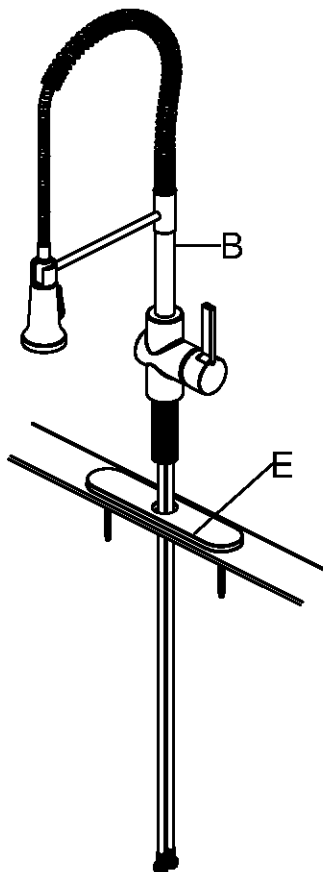
Step 3. Install the escutcheon



Before installation, remove the flange (D). Screw the bolts (G1) into the escutcheon (E) and ensure that the base plate (F) is pressed onto the escutcheon (E) before the escutcheon (E) is installed over the three holes on the sink. From underneath the sink, hand tighten the mounting nuts (G2). Do not overtighten.

NOTE: Skip this step if installing without deckplate.

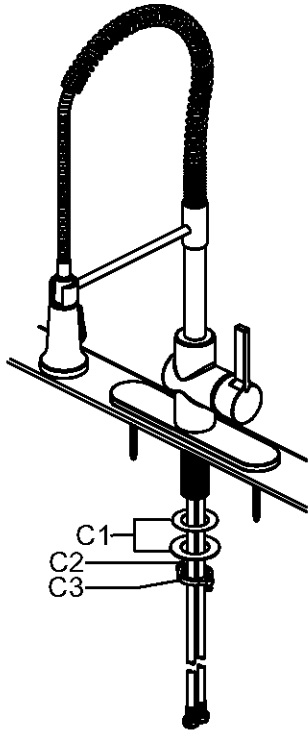
Step 4. Install the faucet assembly (with deckplate)



Insert the faucet assembly (B) through the hole in the escutcheon (E).

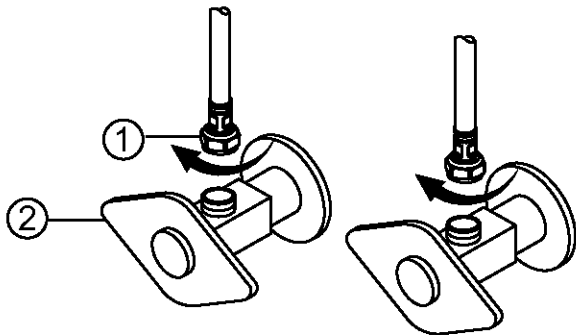
NOTE: Skip this step if installing without deckplate.

Step 5. Secure the faucet assembly



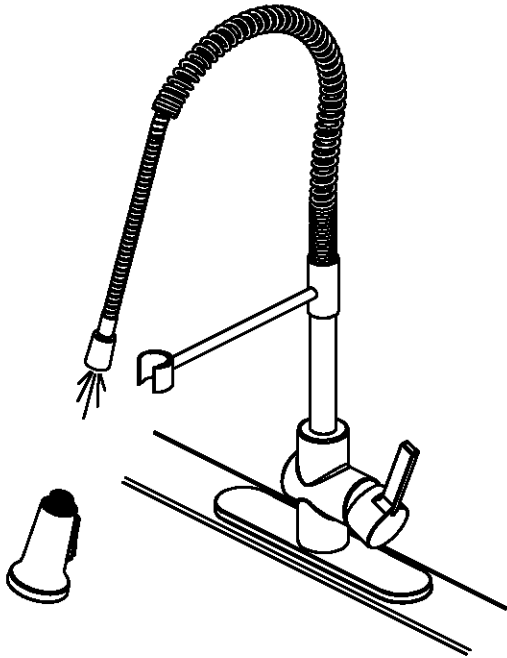
Install the plastic washer and metal washer (C1) onto the threaded mounting shank. Thread the nut (C2) onto the mounting shank. Lock the nut (C2) into position by tightening the screws (C3). Do not overtighten.

Step 6. Connect the waterlines



Thread the nut (1) on the supply line onto the outlet of the water supply valve (2) and tighten with wrench. Do not overtighten.

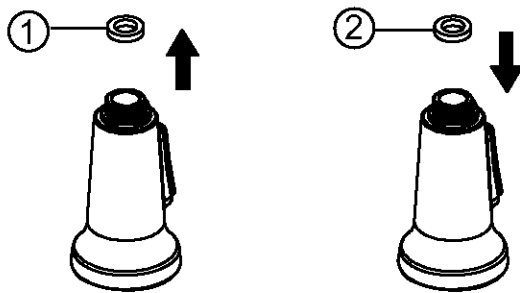
Step 7. Flush and check for leaks



Pull hose assembly out of spout and remove spray head by unscrewing from hose in a counterclockwise direction. Hold the end of the hose down into the sink and turn the faucet on to the warm position. Flush water lines for one minute to flush away any debris. Check for leaks.

Re-tighten any connections if needed. Do not over-tighten. Reinstall spray head by hand tightening it back onto the spray hose. After installation is completed, turn on the hot and cold water supplies to check for leaks.

Step 8. Flow regulator replacement

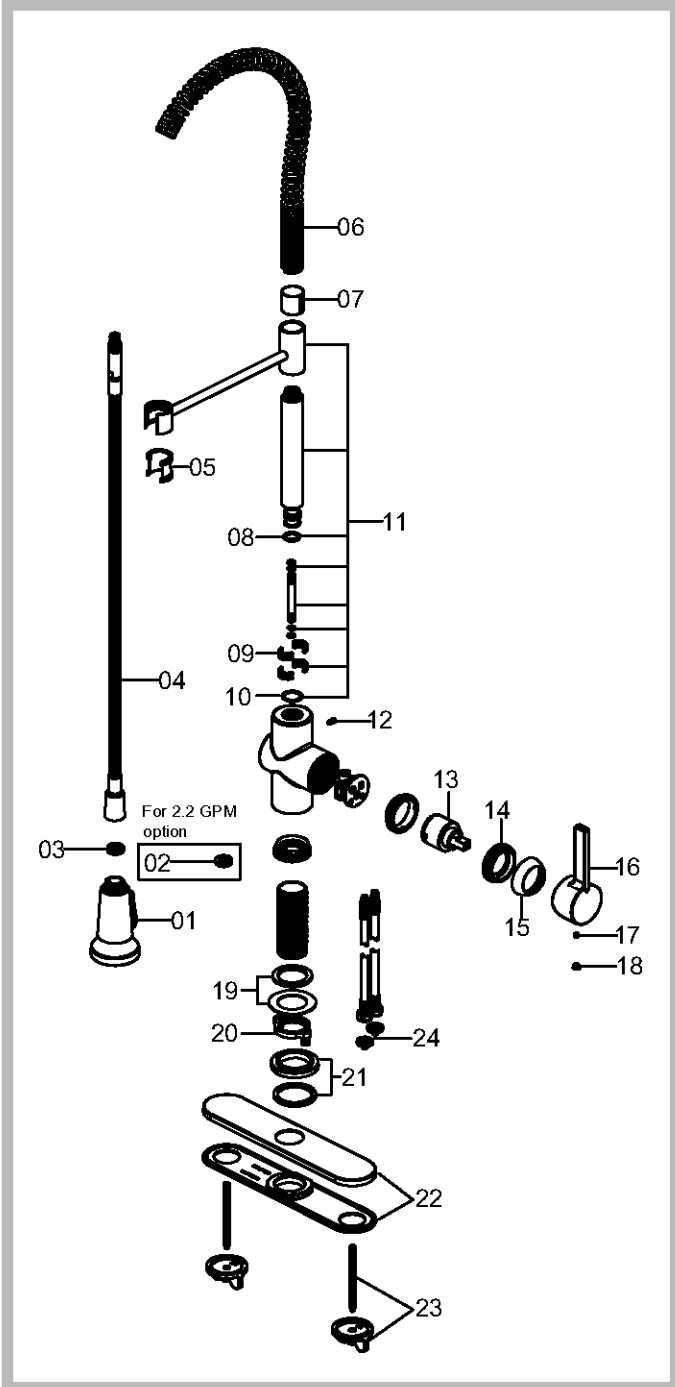


This faucet ships with a 1.8 GPM washer installed. Remove the 1.8 GPM washer and replace with the 2.2 GPM washer.

To switch the flow rate of the faucet:
1. Unthread the spray head and remove the 1.8 GPM washer (1).
2. Replace the washer with the 2.2 GPM washer (2) provided.

NOTE: In compliance with CEC standards, this faucet is designed with a 1.8 gpm flow rate. At your discretion, you may modify the product with the included 2.2 gpm restrictor. Please note that doing so will remove the capability of this product to meet specific low-flow standards. Kraus is not liable for any alterations made to the product post-sale, and highly advises that you consult with your local or statewide plumbing enforcement agency prior to any modification.

Replacement Parts



Replacement Parts List	Finish/Color	Part #
1. Spray Head	SFS,BG,SFACB,SFSB,MB,AB*	KP27195
2. 2.2 GPM Washer		KP27197
3. 1.8 GPM Washer		KP27196
4. Sprayer Hose	BLAB,BLBG,BLSFSB BLMB,BLSFACB,SFS*	KP27025
5. Inverter	GR,BL*	KP27026
6. Spring	SFS,BG,SFACB,SFSB,AB*	KP27027
7. Inverter	GR,BL*	KP27080
8. O-ring		KP27029
9. Block		KP27030
10. Washer	GR,BL*	KP27031
11. Spray Support Assembly	SFS,AB,BG,SFSBMB SFACBMB,BGMB*	KP27032
12. Set Screw		KP27033
13. Cartridge		KP27035
14. Bonnet Nut		KP27036
15. Cap	SFS,BG,SFACB,SFSB,AB*	KP27037
16. Handle	SFS,BG,SFACB,SFSB,AB*	KP27038
17. Set Screw		KP27001
18. Cover Button	GR,BL*	KP27002
19. Rubber & Metal Washer		KP27028
20. Nut & Screw		KP27079
21. Flange	SFS,BG,SFACB,SFSB,AB*	KP27041
22. Escutcheon	SFS,BG,SFACB,SFSB,AB*	KP27184
23. Escutcheon Mounting Hardware		KP27185
24. Filter Washer		KP27167

*Denotes faucet component color options:
 SFS - Spot Free Stainless Steel
 MB - Matte Black
 BG - Brushed Gold
 SFACB - Spot Free Antique Champagne Bronze
 SFSB - Spot Free Black Stainless
 AB - Antique Brass
 BL - Black
 GR - Gray

Troubleshooting

If you have followed the instructions carefully and your faucet still does not work properly, take the following corrective steps:

PROBLEM	CAUSE	ACTION
Leakage under faucet handle	The bonnet nut (14) has come loose and the ring on the cartridge is dirty or damaged	Tighten the bonnet nut. Clean or replace the cartridge
Leaking between spray head and the hose	Spray head (1) may be loose or washer (3) is not seated correctly in the hose connection.	Tighten spray head (1) by hand until snug. Make sure washer (3) is seated correctly
The water pressure is low	Waterlines may be clogged	Turn off the water supply at water valve and unscrew the hose connectors from water supply lines. Clean the screen in the water lines with hot water, removing any debris or calcium build up.