

Kräus[®]

INSTALLATION GUIDE

Britt™ All-in-One Commercial Filter Faucet

KFF-1691

Prior to Installation:

- Make sure you have all necessary parts by checking the diagram and parts list. If any part is missing or damaged, please contact Customer Service for a replacement.
- Turn off the hot and cold water supply at the angle stops and turn on the old faucet to release any built up pressure. Remove existing faucet. Clean sink or countertop to remove any debris, plumber's putty, or silicone.
- Flush angle stops to release any debris prior to installation.
- Pre-drilled hole size requirement: 1 3/8" (min) - 1 1/2" (max)
- Max countertop thickness: 2"

Tools you will need:

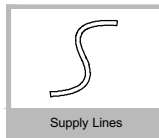
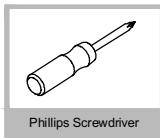
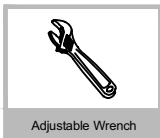
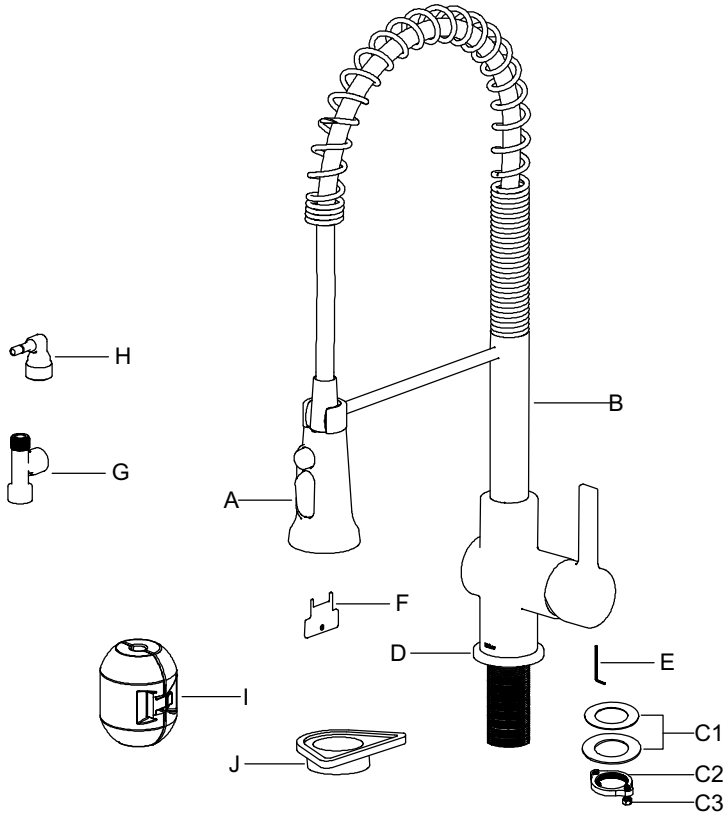
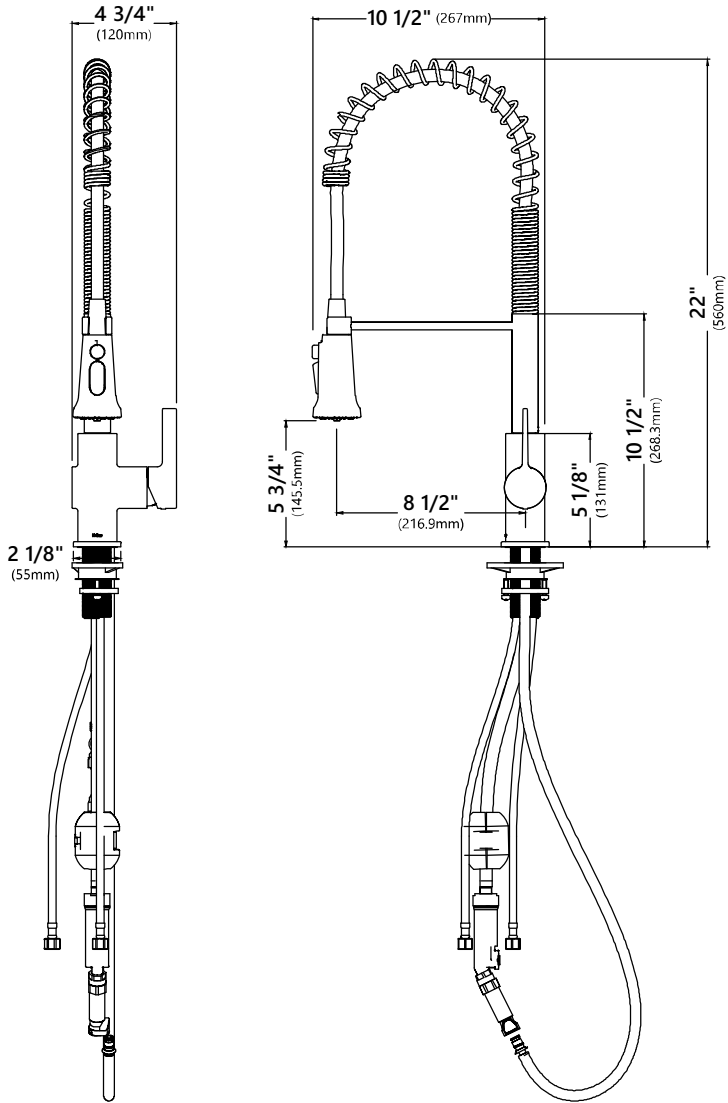


Diagram and Parts List



- | | |
|---------------------------|-----------------------------|
| A. Spray Head | E. 2.5 mm Hex Wrench |
| B. Faucet Body | F. Aerator Key |
| C. Mounting Hardware | G. 3-Way Connector |
| C1. Rubber & Metal Washer | H. 1/4 to 3/8 Connector x 2 |
| C2. Mounting Nut | I. EZ-Weight |
| C3. Mounting Screw | J. Plastic Stabilizing Base |
| D. Flange & Washer | |

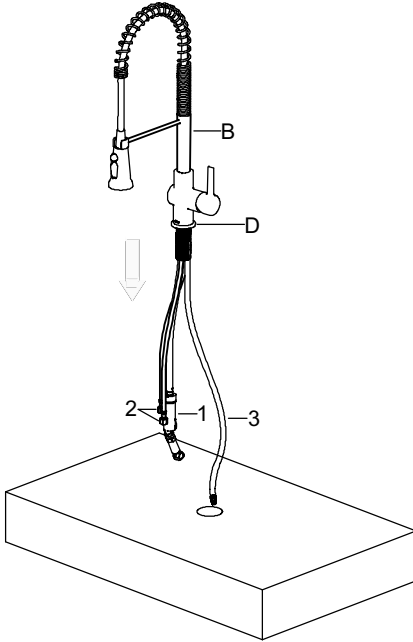
Faucet Dimensions



Installer Tip:

Shut off main water supply before installing new faucet.

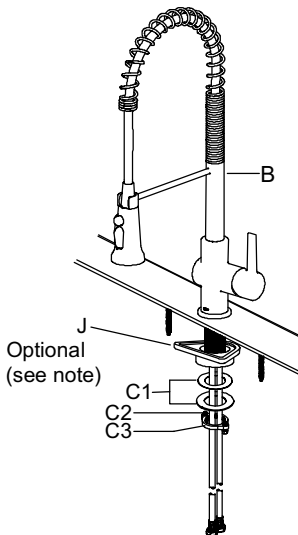
Step 1. Install the faucet assembly



Before installation, ensure that the flange (D) is placed on the bottom of the new faucet assembly (B). Insert the faucet body and all hoses through the hole in the sink.

1. Install the pull down hose with connector first.
2. Install the hot and cold inlet hoses.
3. Install the supply hose.

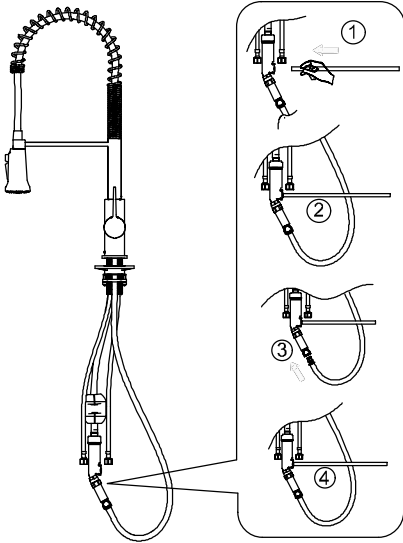
Step 2. Secure the faucet assembly



Install the plastic washer and metal washer (C1) onto the threaded mounting shank. Thread the nut (C2) onto the mounting shank. Lock the nut (C2) into position by tightening the screws (C3). Do not overtighten.

NOTE: If the stainless steel sink is thinner than 5mm you **MUST** use the plastic stabilizing base (J).

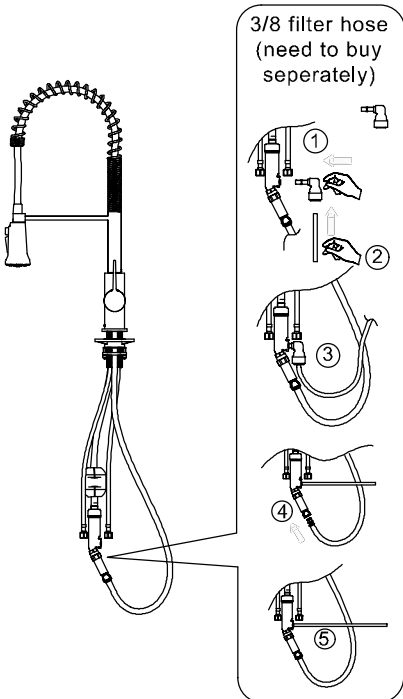
Step 3. Connecting the filter connection and water line



Connect the 1/4 in. water line from the filtration system by pushing the line into the connector (G). Pull down on the 1/4 in. line slightly to ensure the quick connect fitting has engaged.

NOTE: The filter activates by pressing the top button on the sprayer.

NOTE: Use the 1/4" to 3/8" connector if you have a 3/8" tube.



3/8 filter hose
(need to buy
seperately)

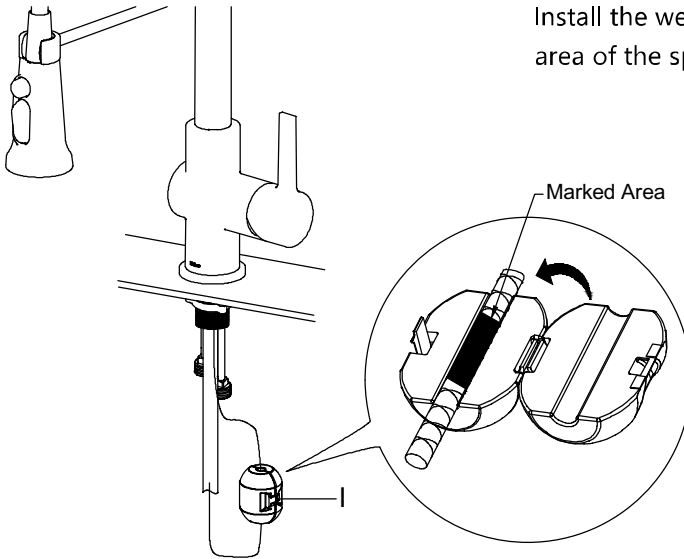
Connect the 3/8 in. water line from the filtration system by pushing the line into the connector (G). Pull down on the 3/8 in. line slightly to ensure the quick connect fitting has engaged.

NOTE: The filter activates by pressing the top button on the sprayer.

NOTE: Use the 1/4" to 3/8" connector if you have a 3/8" tube.

Step 4. Attach the counterweight

Install the weight on the marked area of the spray hose.



Step 5. 1/4 Filter Connection (optional-sold separately)

Thread the nut on the supply line onto the outlet of the water supply valve and tighten with a wrench. Do not overtighten. (use 3-Way Connector for Cold valve if needed)

