

Kräus[®]

INSTALLATION MANUAL

Single Lever Pull-Out Kitchen Faucet

KPF-1612

PRIOR TO INSTALLATION

- Make sure you have all necessary parts by checking the diagram and parts list. If any part is missing or damaged, please contact **Customer Service**
- Turn off the hot and cold water supply at the angle stops and turn on the old faucet to release any built up pressure. Remove existing faucet. Clean sink or countertop to remove any debris, plumber's putty, or silicone
- Place bucket under angle stops. Turn on to flush any debris prior to installing new plumbing. Shut off angle stops
- Pre-drilled hole size requirement: 1-3/8"
- Max countertop thickness without deck plate: 1-3/8"

Tools Required

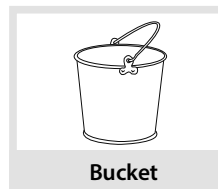
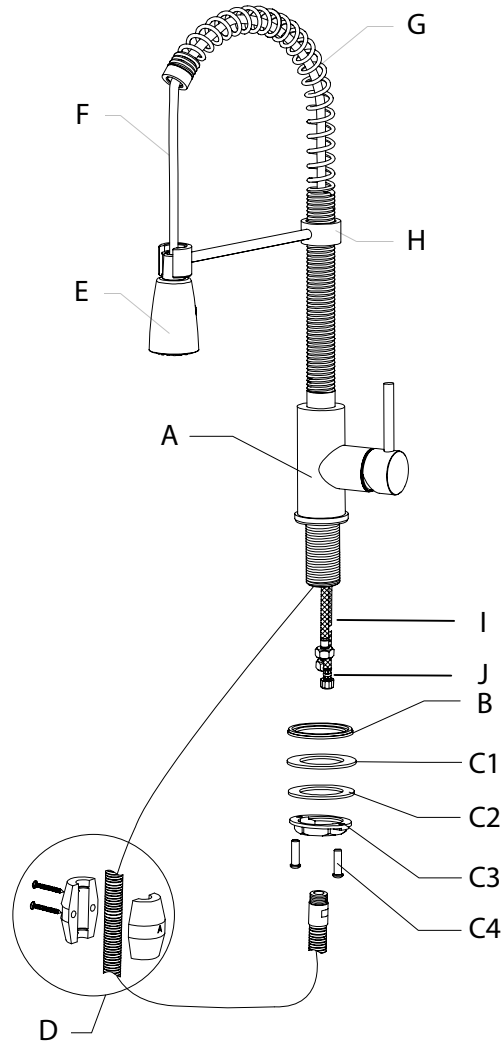
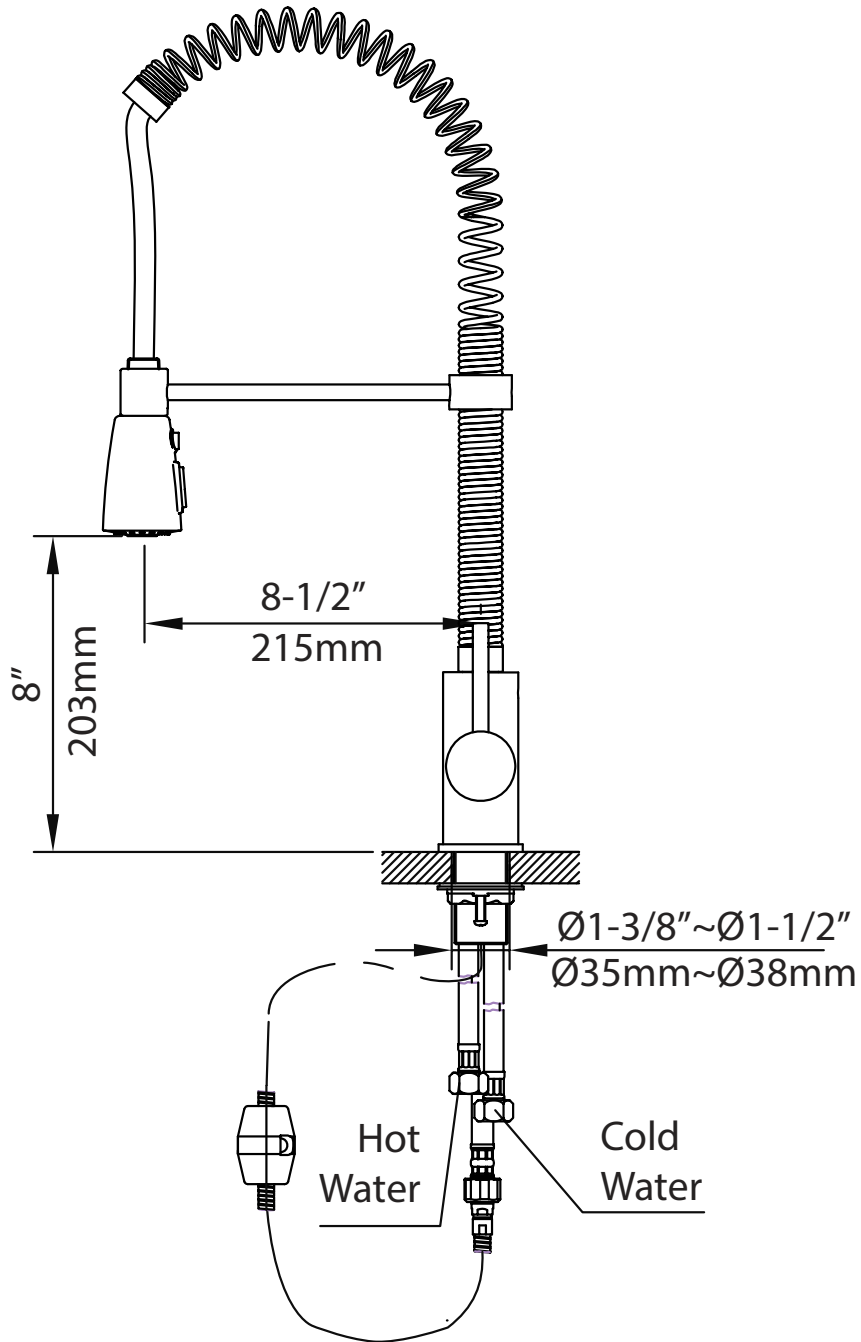


Diagram and Parts List

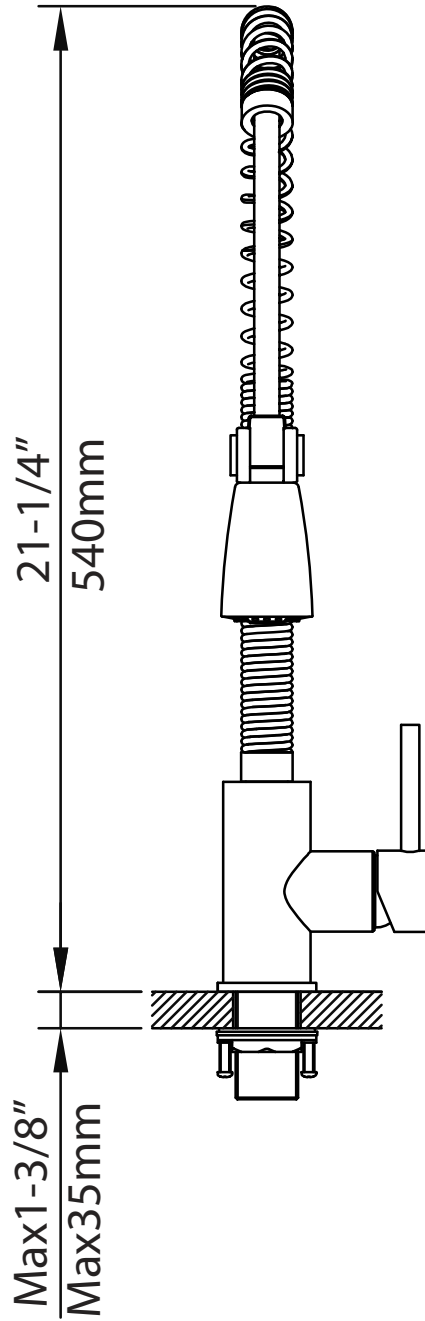


- | | |
|-------------------------------|----------------------------|
| A. Faucet Body | D. Weight |
| B. Base | E. Spray Head |
| C. Mounting Hardware Assembly | F. Spray Hose |
| C1 Rubber Washer | G. Spring |
| C2 Metal Washer | H. Sprayer Holder |
| C3 Mounting Nut | I. Hot and Cold Waterlines |
| C4 Mounting Screws | J. Supply Hose |

Faucet Dimensions

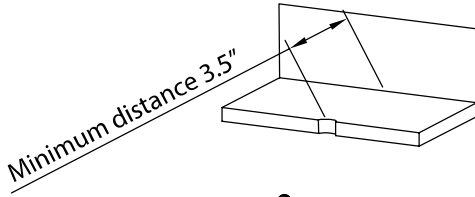


Faucet Dimensions

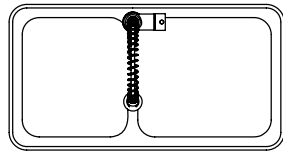
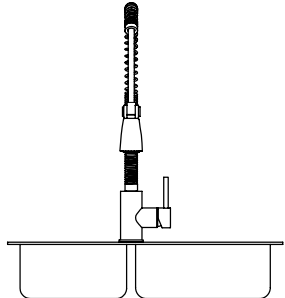


Faucet Installation Procedure

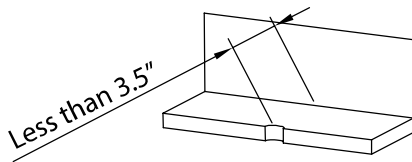
Installation Method 1



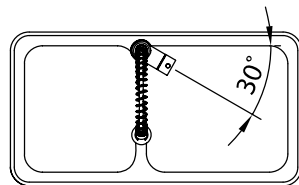
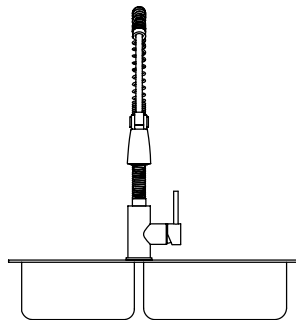
The minimum distance between the faucet hole and the wall should be 3.5"



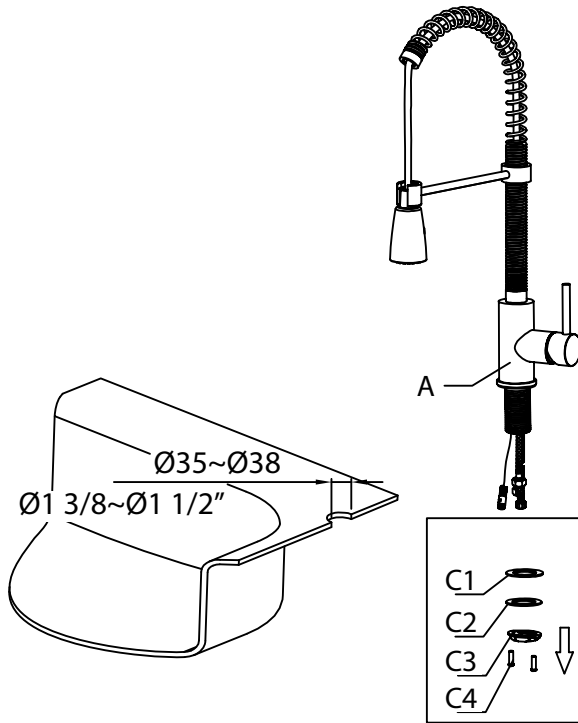
Installation Method 2



If the distance between the faucet hole and the wall is less than 3.5", position the faucet lever 30 degrees to 90 degrees off of the wall to allow for full operation

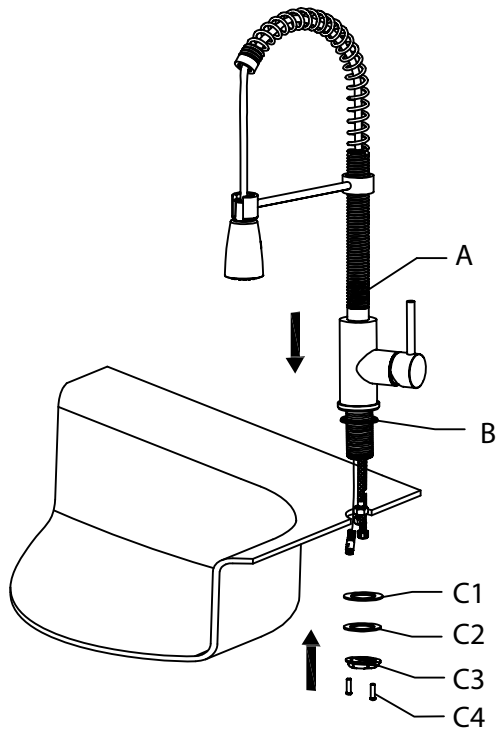


Step 1



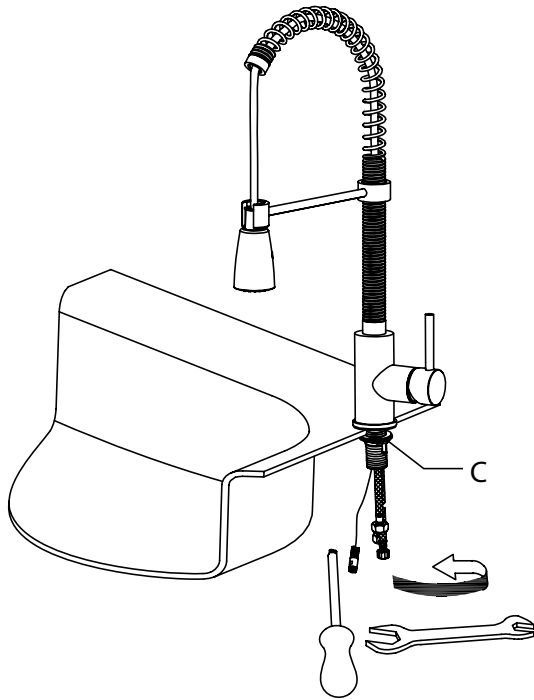
Remove mounting hardware assembly (C)

Step 2



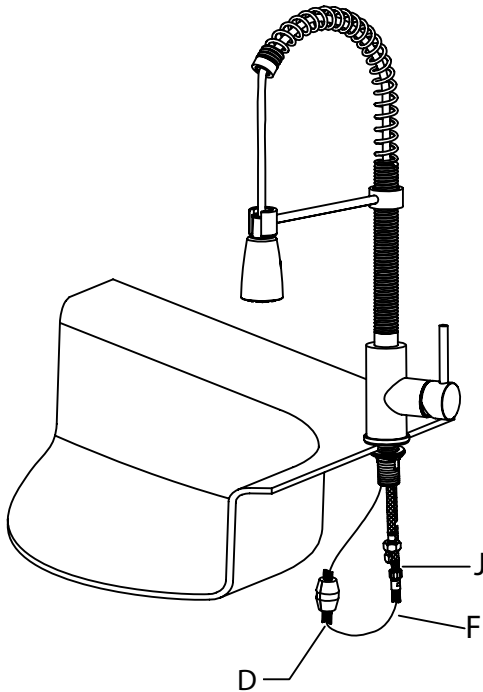
Insert faucet body (A) into hole on deck or sink with base (B) attached. Attach mounting hardware assembly (C)

Step 3



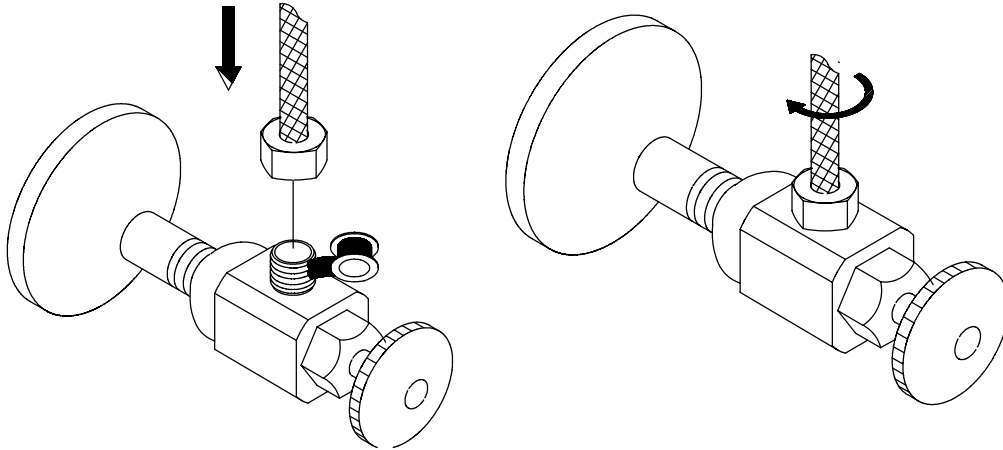
Adjust faucet body. Secure mounting hardware (C) with wrench and Phillips head screwdriver

Step 4



Connect spray hose (F) to supply hose (J) and tighten. Attach weight (D) to lowest point vertically on spray hose (F)

Step 5



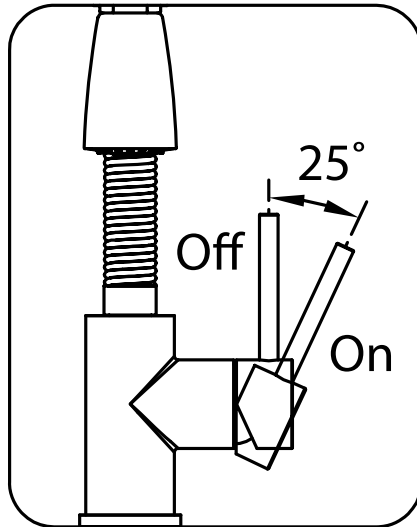
Connect and tighten waterlines (I) to angle stops. Turn on the angle stops and check for leaks **(DO NOT TURN FAUCET ON)**

Installer Tip

Remove spray head (E) and turn faucet on for 60 second to flush any debris

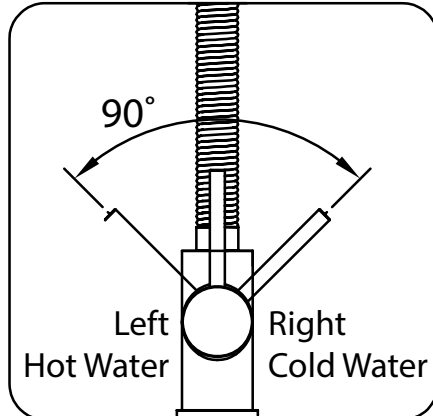
Usage

How to Operate the Handle

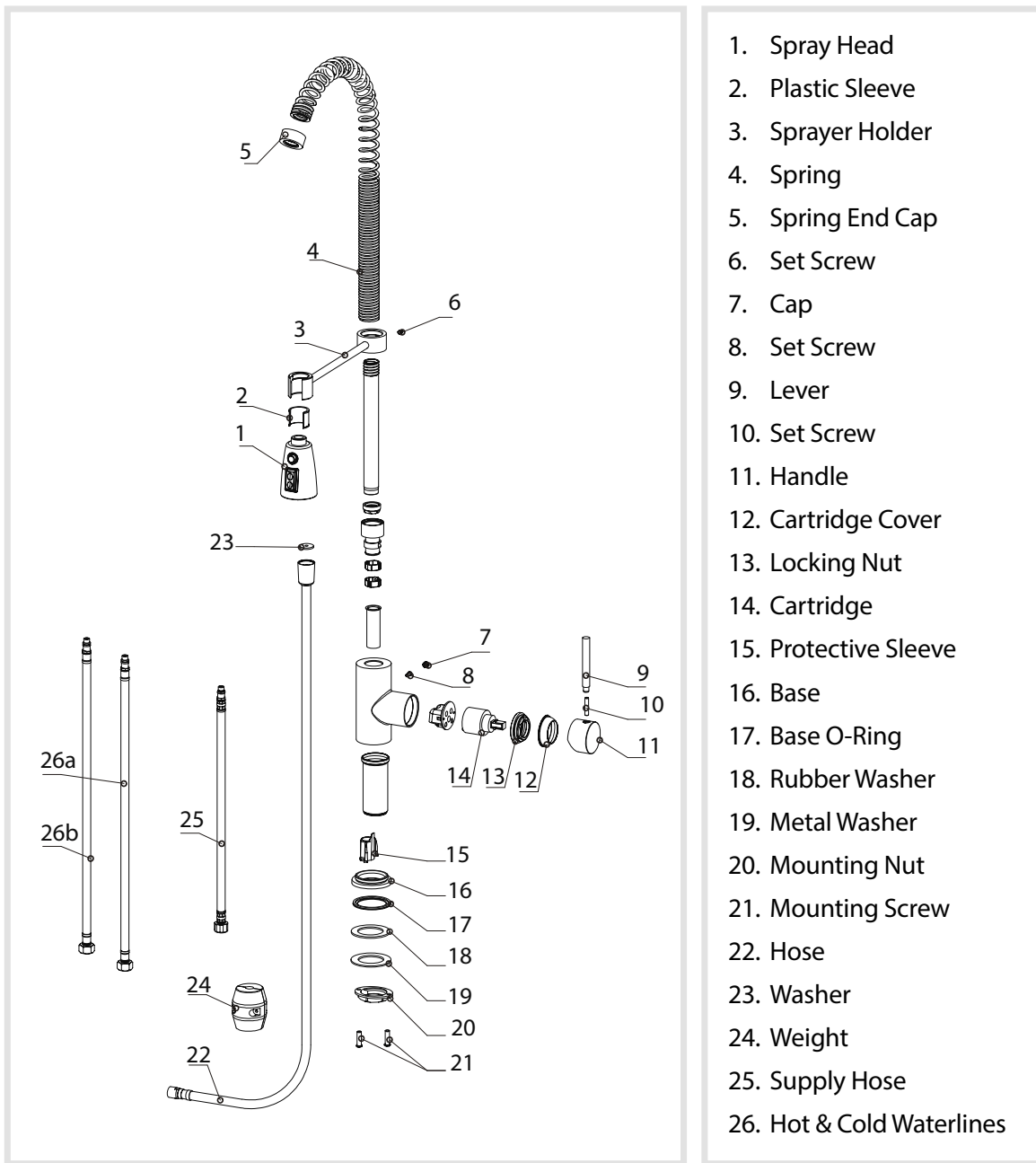


1. Pull the lever to the right to turn on the water. Push to the left to turn off

2. Pull the lever forward to increase hot water flow and push the lever back to increase the cold water flow



Replacement Parts



1. Spray Head
2. Plastic Sleeve
3. Sprayer Holder
4. Spring
5. Spring End Cap
6. Set Screw
7. Cap
8. Set Screw
9. Lever
10. Set Screw
11. Handle
12. Cartridge Cover
13. Locking Nut
14. Cartridge
15. Protective Sleeve
16. Base
17. Base O-Ring
18. Rubber Washer
19. Metal Washer
20. Mounting Nut
21. Mounting Screw
22. Hose
23. Washer
24. Weight
25. Supply Hose
26. Hot & Cold Waterlines

Trouble - Shooting

If you have followed the instructions carefully and your faucet still does not work properly, take the following corrective steps:

PROBLEM	CAUSE	ACTION
Leakage under the handle (11)	Locking nut (13) has come loose	Unscrew the lever (9) on the handle (11) by hand. Loosen set screw (10) with a hex wrench (2.5 mm). Remove the handle (11) and unscrew cartridge cover (12) by hand. Tighten locking nut (13) with an adjustable wrench
Water will not shut off completely	Cartridge (14) may be defective	Unscrew the lever (9) on the handle (11) by hand. Loosen set screw (10) with a hex wrench (2.5 mm). Remove the handle (11) and unscrew cartridge cover (12) by hand. Unscrew the locking nut (13) with an adjustable wrench. Remove ceramic disc cartridge (14). Check for cracks
Leaking between spray head (1) and the hose (22)	Spray head (1) may be loose or washer (23) is not seated correctly in the hose connection	Tighten the spray head (1) by hand until snug. Make sure the washer (23) is seated correctly

Codes/Standards Applicable:



NSF/ANSI Standard 61 certified by IAPMO
NSF/ANSI Standard 372 certified by IAPMO



Meets ASME A112.18.1M/A112.18.1
1.75gpm 6.6L/min maximum

HELP LINE

In requesting warranty service, please be ready to provide:

1. Proof of purchase.
2. A description of the problem.

Care & Maintenance

*To keep the product clean & shining, follow the steps below:

1. Rinse with clean water & dry with a soft cloth
2. Do not clean with soaps, acid, polish, abrasives, or harsh cleaners
3. Do not use cloth with a coarse surface
4. Unscrew the aerator and clean when necessary

*This installation manual is subject to change without further notice.



Kräus[®]