

**SQUIRE SERIES**

**Pull Out Kitchen Faucet**

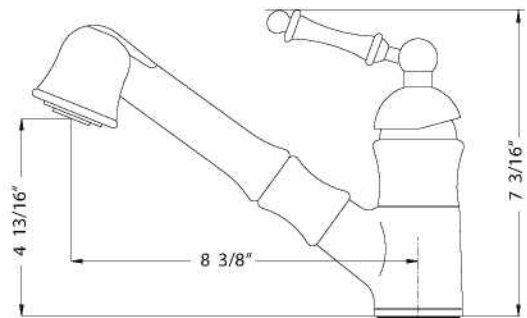
**Model** SQUPO-176-PC : Polished Chrome  
SQUPO-176-BN : Brushed Nickel



SQUPO-176

**FEATURES**

- Traditional brass body construction
- Light weight pull out dual function spray/stream hand spray
- Easy clean AeroFlo removable Aerator
- XtendHose reaches all edges of sink and beyond. 20+ inches
- Traditional Ornate UltraSmooth topmount handle
- CeraDox Ceramic Disc Cartridge - Lifetime Warranty
- Available in 2 finish options
- Oversized deck mounting locknut for ease of installation
- Hybrid stainless steel and nylon braided hoses for increased durability and flexibility
- All Houzer faucets are ICC certified to meet or exceed US State and Federal plumbing codes and low lead safety standards
- Limited Lifetime Warranty



**AVAILABLE FINISHES**

HOUZER has a wide range of finish options, utilizing various technologies: fully automated polishing and brushing plating line, electrostatic powder coating line, and PVD capabilities that allow for a vast range of different finishes such as metallic, brass, pewter, copper and practically any other finish possible.



Polished Chrome



Brushed Nickel

Project/Job name	
Architect/Engineer	
Contractor	
Model	Q'ty
Notes	