

ASCEND SERIES

Integrated Pull Up Kitchen Faucet

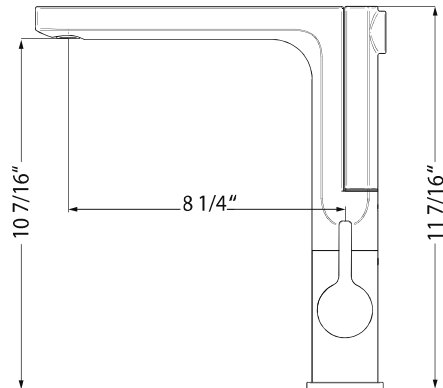
- Model ASCPU-460-PC** : Polished Chrome
ASCPU-460-BN : Brushed Nickel
ASCPU-460-OB : Oil Rubbed Bronze



ASCPU-460

FEATURES

- All brass body construction
- Innovative patented lightweight pull up dual function spray/stream rear handspray
- Easy clean AeroFlo removable Aerator
- XtendHose reaches all edges of sink and beyond. 20+ inches
- 90° forward action temperature control handle will not hit backsplash
- CeraDox Ceramic Disc Cartridge - Lifetime Warranty
- Available in 3 finish options
- Oversized deck mounting locknut for ease of installation
- Nylon UltraBraid hoses for increased durability and flexibility
- QuickConnect InterLock system designed for secure and easy installation
- All Houzer faucets are ICC certified to meet or exceed US State and Federal plumbing codes and low lead safety standards
- Limited Lifetime Warranty



AVAILABLE FINISHES

HOUZER has a wide range of finish options, utilizing various technologies: fully automated polishing and brushing plating line, electrostatic powder coating line, and PVD capabilities that allow for a vast range of different finishes such as metallic, brass, pewter, copper and practically any other finish possible.



Polished Chrome



Brushed Nickel



Oil Rubbed Bronze

Project/Job name _____
 Architect/Engineer _____
 Contractor _____
 Model _____ Q'ty _____
 Notes _____