

Shower in Sophisticated Style!

Designer Stainless Steel & Copper Custom Shower Enclosures



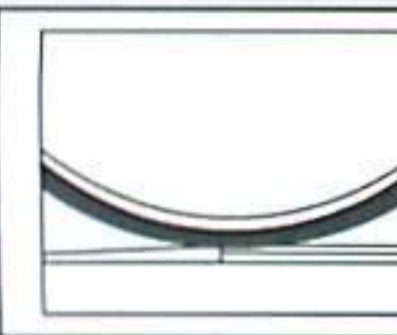
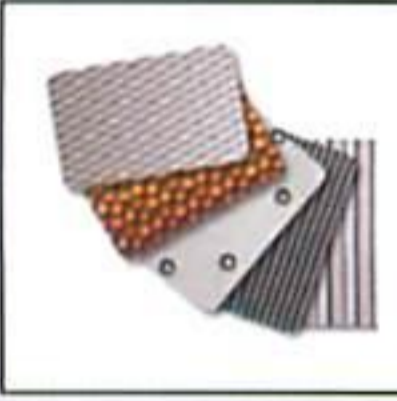
Today, design elements and trends for bathrooms afford customers the ability to create their own distinctive "get away" area in the home. A place that exudes beauty, sophistication and at the same time provides functionality. And now for the first time, the style conscious "bath-dweller" can have the ultimate in style with...

Stainless Steel or Copper Shower Enclosures

In addition... the durability proven, anti-bacterial properties of Stainless Steel and Copper's anti-microbial properties, make these unique metal showers perfect for commercial/ institutional applications in schools, correctional institutions, mobile disaster systems, etc.



- Shower Enclosures and Bases are built to virtually any size /dimension required.
- Designed and built for ease of installation.
- Custom ADA Compliant Shower Enclosures are also available.



Custom Shower Enclosures Features & Benefits:

- Custom built to virtually any size up to 58" wide (Copper - 36")
- Available with Acrylic Door, No Door or built to accept customer provided Door.
- Constructed from durable 16 ga. & 18 ga. 304 Stainless Steel or real 48 oz. Copper - Non-Tarnishing Sealed - rust & stain proof, anti-bacterial.. NO Mildew
- Shower Base is also made from 304 stainless and features a 4" threshold with an embossed pitching to drain. Drain can be positioned as required by the specific application. Drain fixture / screen is included Soap dish is also included.
- Shower walls are stainless and are pre-drilled to affix to existing studs and interlocking to shower base. Silicone sealer is included for waterproof sealing panels. Walls are backed with a sound suppressant/attenuation that assists in maintaining a constant temperature ambiance
- Precision cut to accept customer provided faucet & sprayer.

Enhancement Options:

- Top Hats custom cut to accept customer provided light/vent units.
- Fingerprint-less Stainless Sealer or non-tarnishing copper sealer Allows for easy warm water spot cleaning.
- Embossed Patterned Walls - Choose from patterns as: Hammered, Leather, etc. in both Stainless & Copper. *Some size restrictions apply.*



Custom Stainless Steel Shower Bases:

Designing your own distinctive tiled or ceramic shower enclosure, add a degree of elegance, durability and easy to clean anti-bacterial Stainless Base. Each base is designed and built to the customer's specific dimensional requirements as well as specific drain positioning.

- Constructed from durable 16 gauge metal - Stainless or Copper.
Shower bases are NOT available in Embossed Patterns
- Cross - break design to insure water "pitching" to drain.
- Includes Stainless Drain with Strainer/ Skimmer Plate.
Copper bases are also equipped with Stainless drains
- Easy to install and integrate with new or existing shower walls.

Custom ADA Compliant Shower Enclosures & Bases: *Shower Safe In Style!*

Designed for easy wheelchair access, these unique custom showers combine beauty, durability and hygienic advantages only inherent with Stainless Steel. A wide variety of enhancement options and design features further answer the customer's specific needs.

- See Shower Size with base sizes, wall heights *Specifications noted above.*
- One piece Roll-in 6" Ramp - angled to a 1/2" curb/trim. Only a slight incline makes wheelchair access effortless and safe. Compliant with ADA Section #4.2
- Shower bases in excess of 36" x 36" will be equipped with a "No-Curb" design.
- Base equipped with a one piece 6" ramp, angled to a 1/2" curb/trim. Only a slight incline makes wheelchair access effortless and safe. Compliant with ADA Section #4.2
- All Stainless Bases designed with 16 gauge Stainless for the placement of drain as required by customer. Base includes 3 1/2" drain and skimmer plate and feature. *No drain pipes are included*

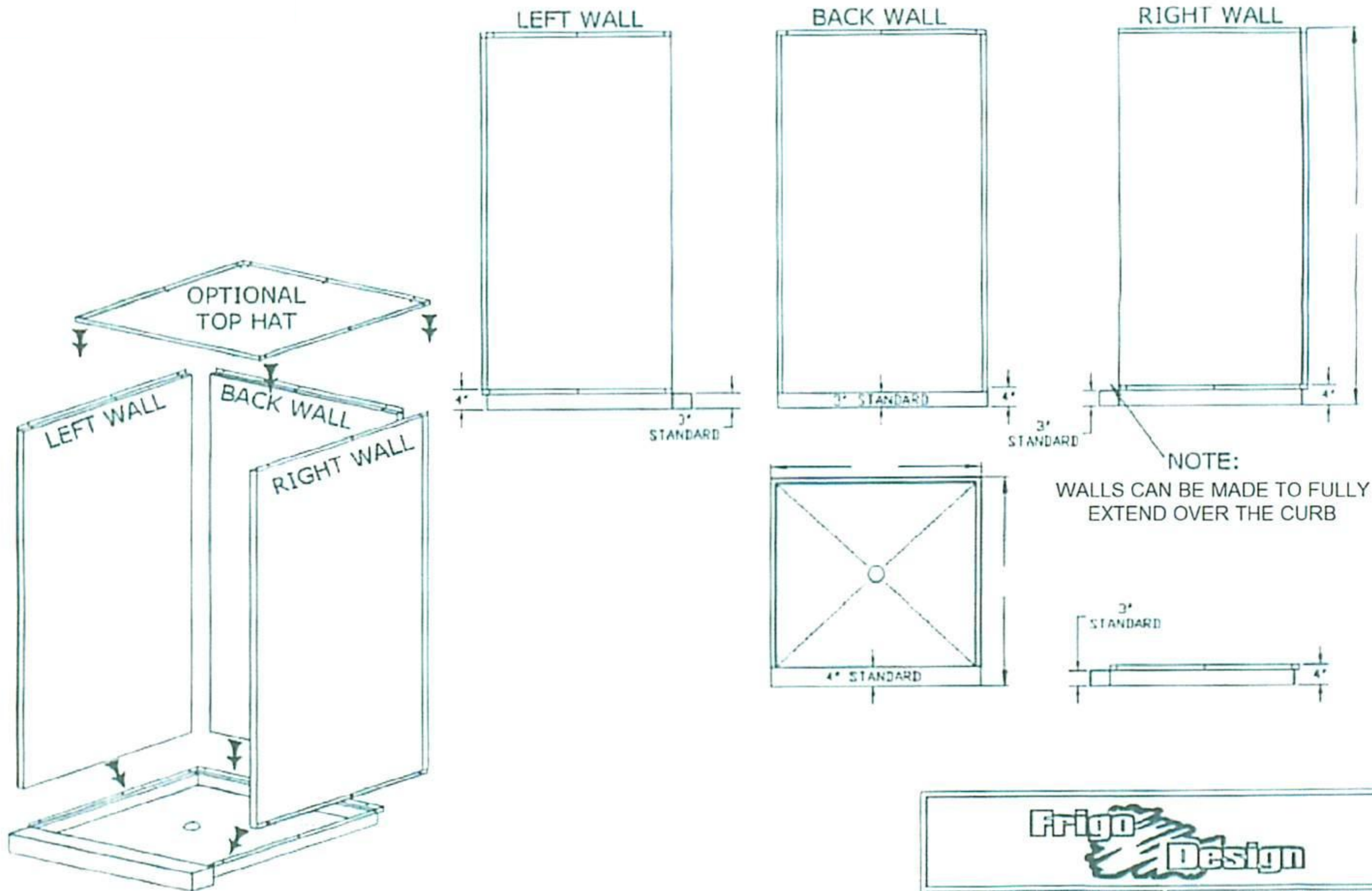
Industrial, Commercial and Institutional Applications:

The demand for Stainless Steel Shower systems for use in educational facilities, correctional institutions and environs that require antibacterial surfacing is at an all time high. This is not only due to the fact that stainless is the safest germ- free, easy to clean surface, but also that stainless is a "tough" durable surface that is rust proof and virtually tamper proof. Friigo Design is the leading designer and fabricator of Institutional Shower Systems, tamper proof, durable, safe and built to the specific facility's needs.

Friigo Custom Metal Products

- Countertops
- Back Splashes
- Wall Tiles
- Cabinet Doors
- Vanity Tops
- Appliance Panels
- Kitchen Essentials
- Shelf Systems

STAINLESS STEEL SHOWER ENCLOSURE

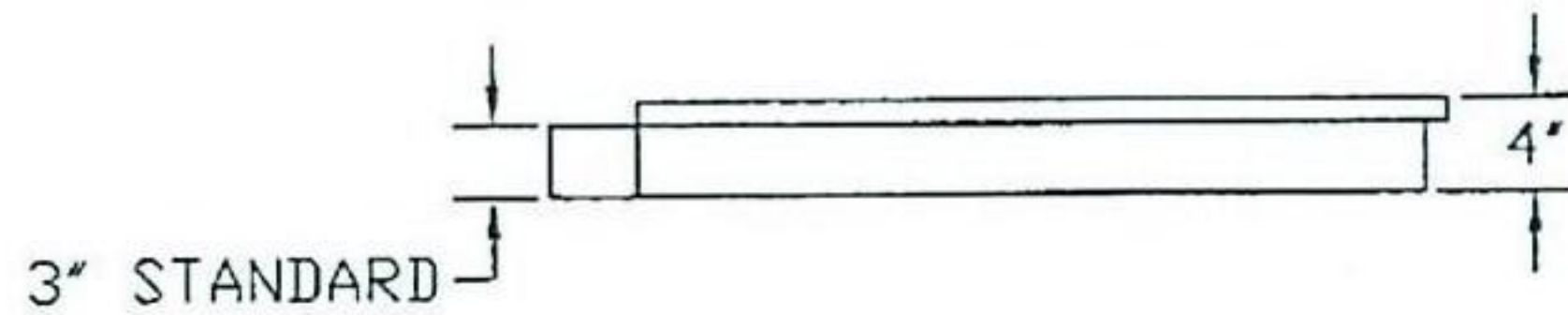
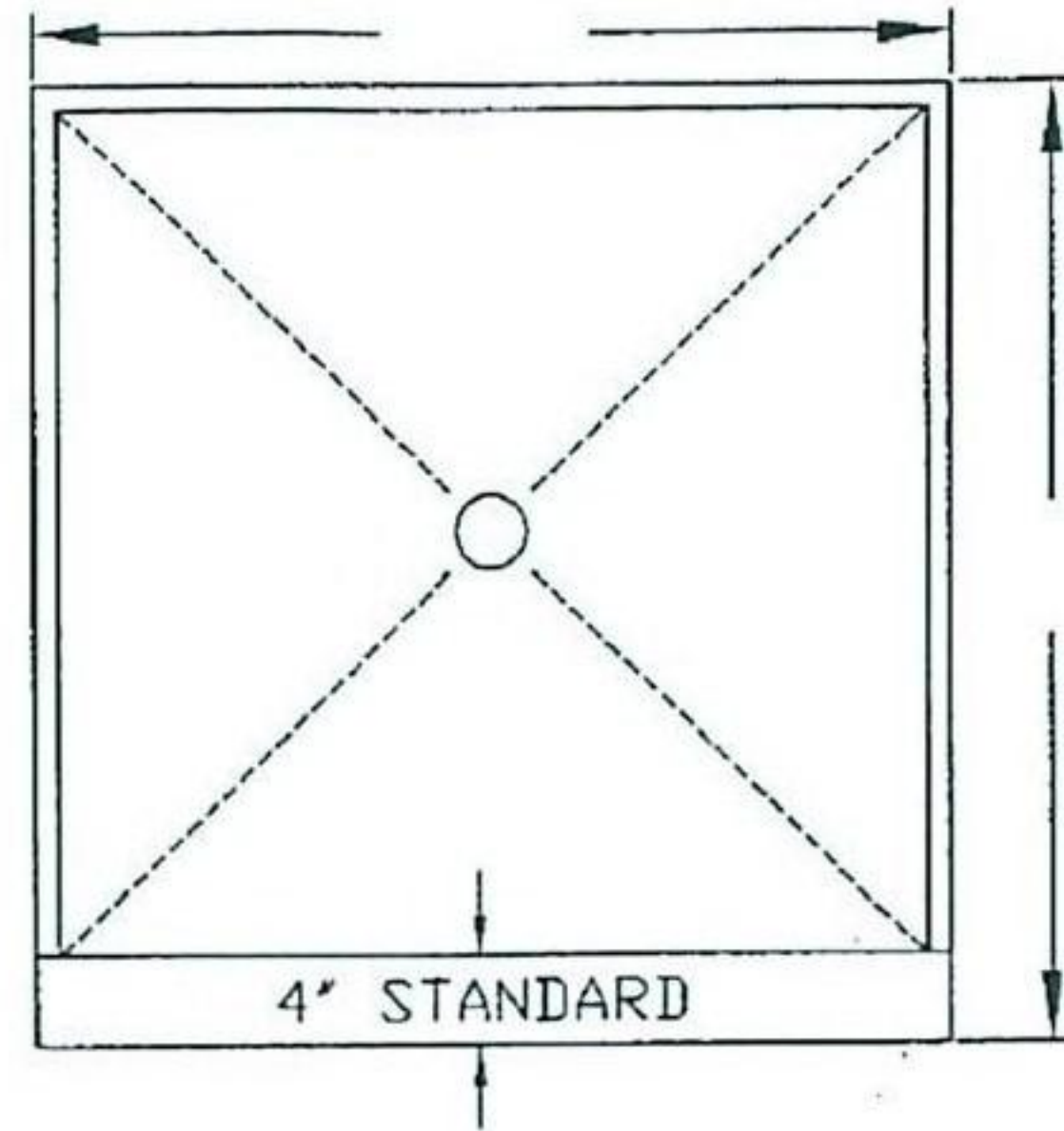
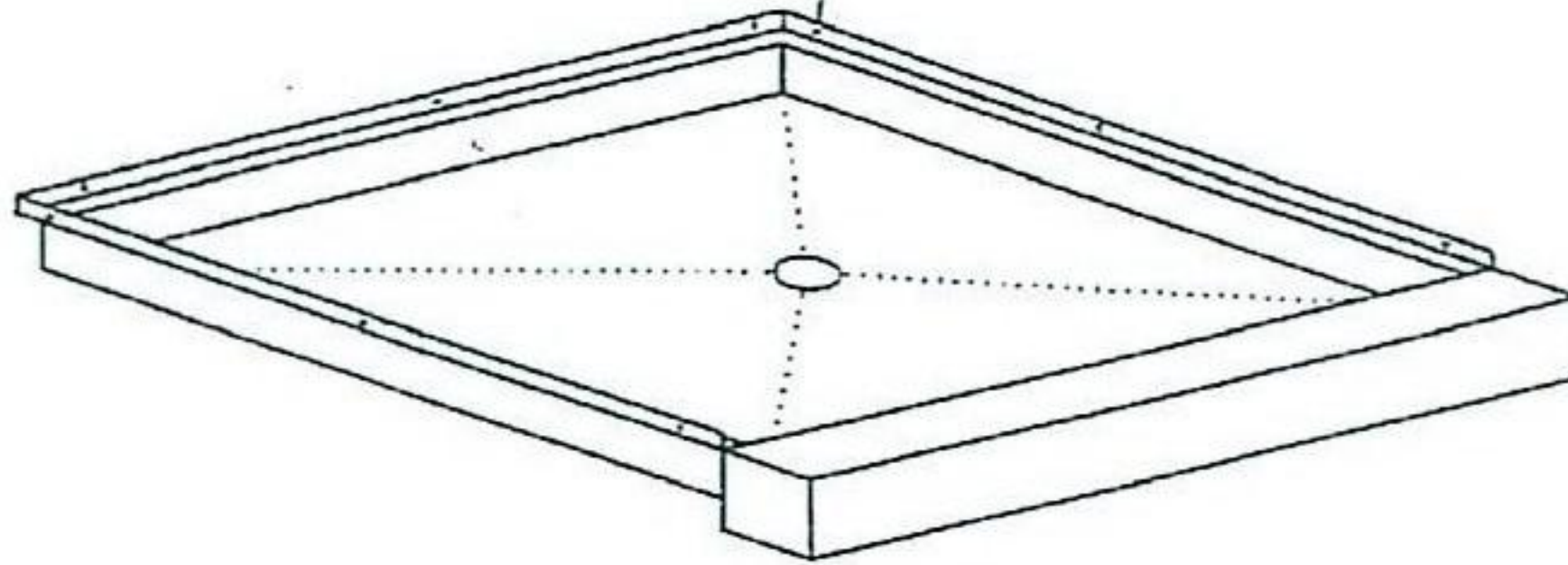


PROPRIETARY AND CONFIDENTIAL
 The information contained in this drawing is the sole property of Friigo Design. Any reproduction in part or as a whole without the written permission of Friigo Design is strictly prohibited.

16ga. (.060) STAINLESS STEEL BASE
 18ga. (.048) STAINLESS STEEL WALLS

FRIGO DESIGN SHOWER BASE

$\frac{3}{16}$ " HOLES FOR FASTENING
PLACED ON REQUEST



Frigo Design

PROPRIETARY AND CONFIDENTIAL

The information contained in this drawing is the sole property of Frigo Design. Any reproduction in part or as a whole without the written permission of Frigo Design is strictly prohibited.

16ga. (.060) STAINLESS STEEL

●●kitchensource.com

1.800.667.8721